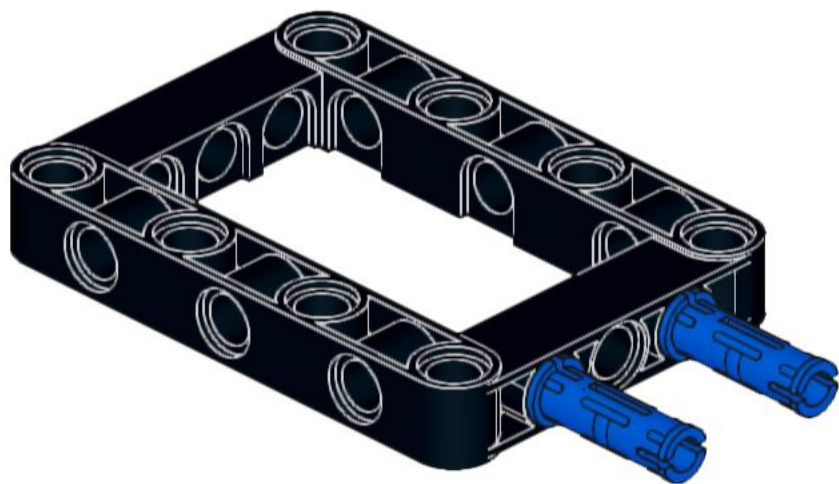
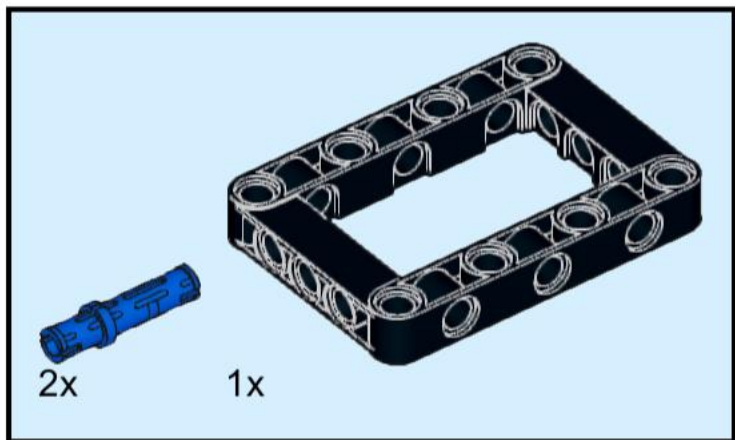
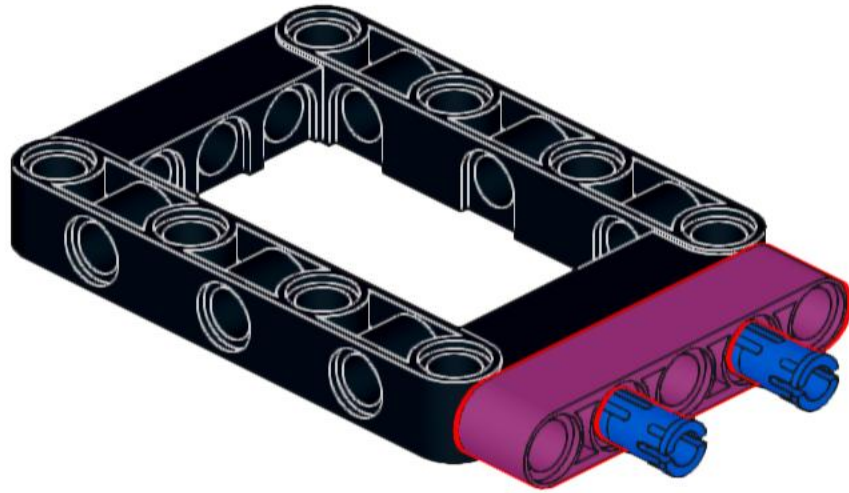
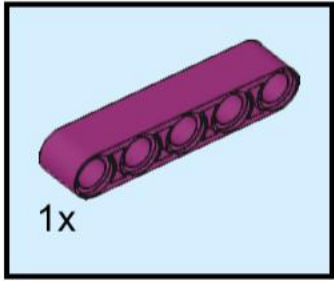


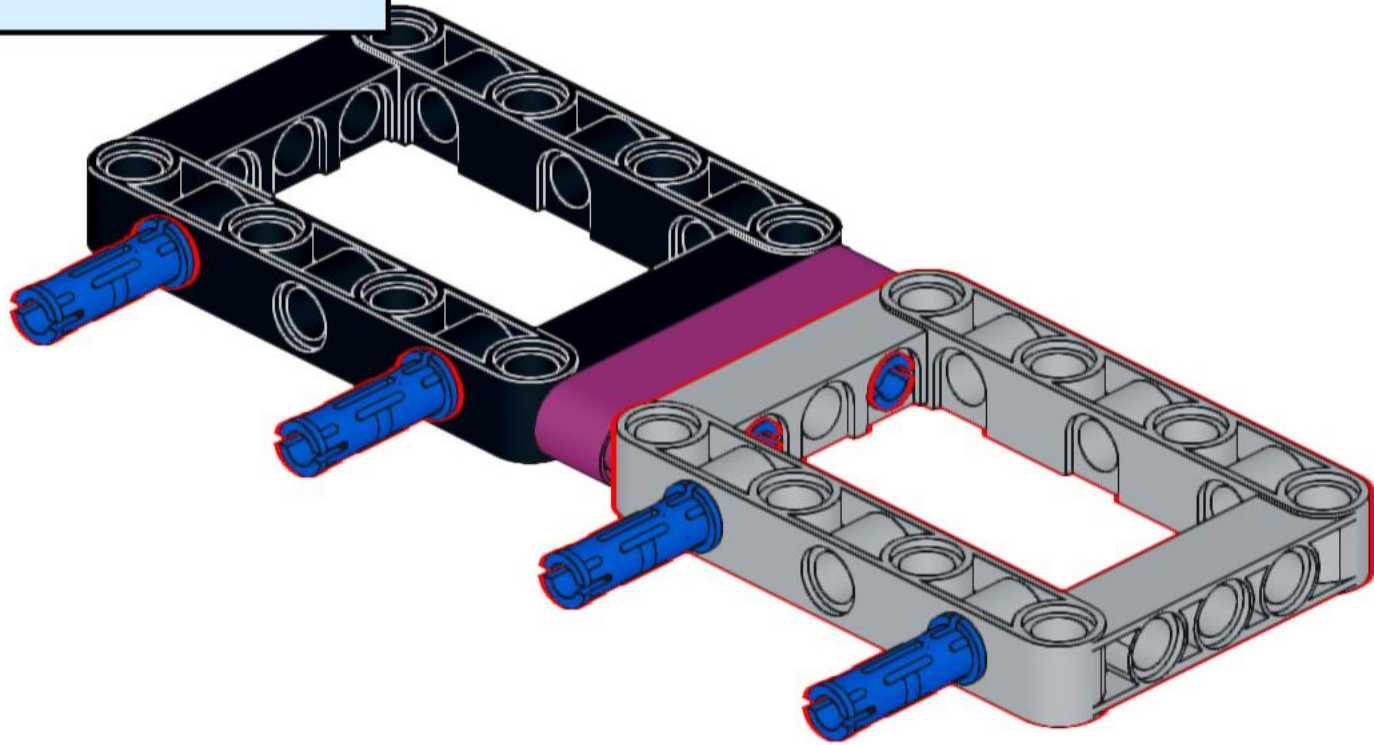
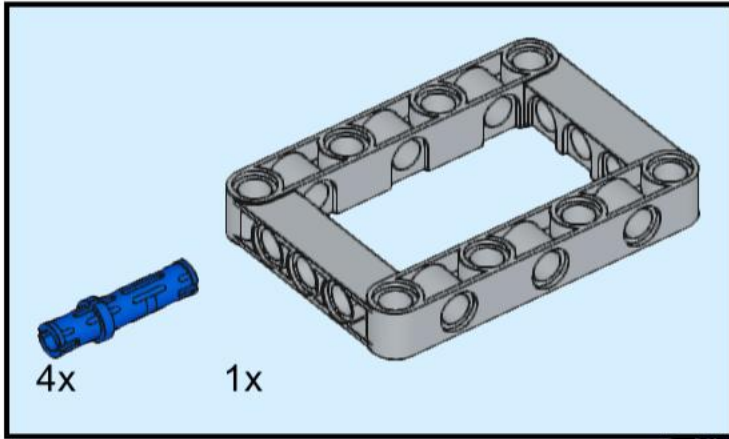
1



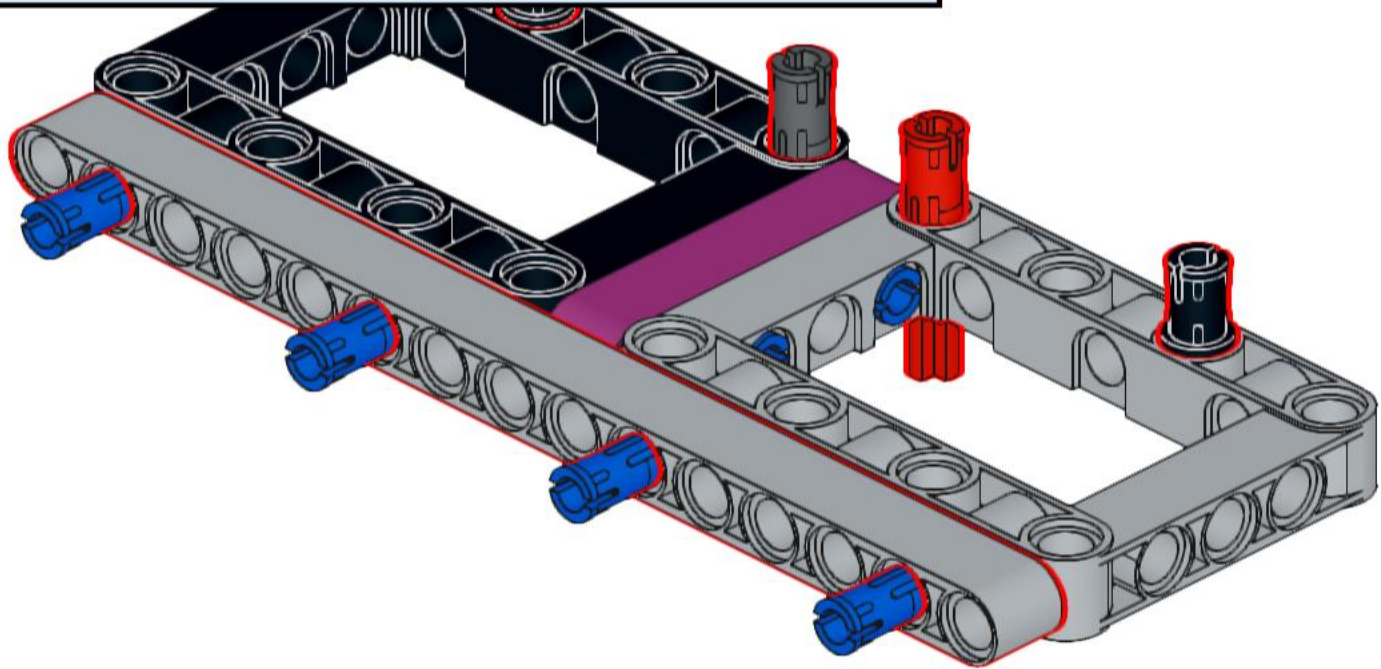
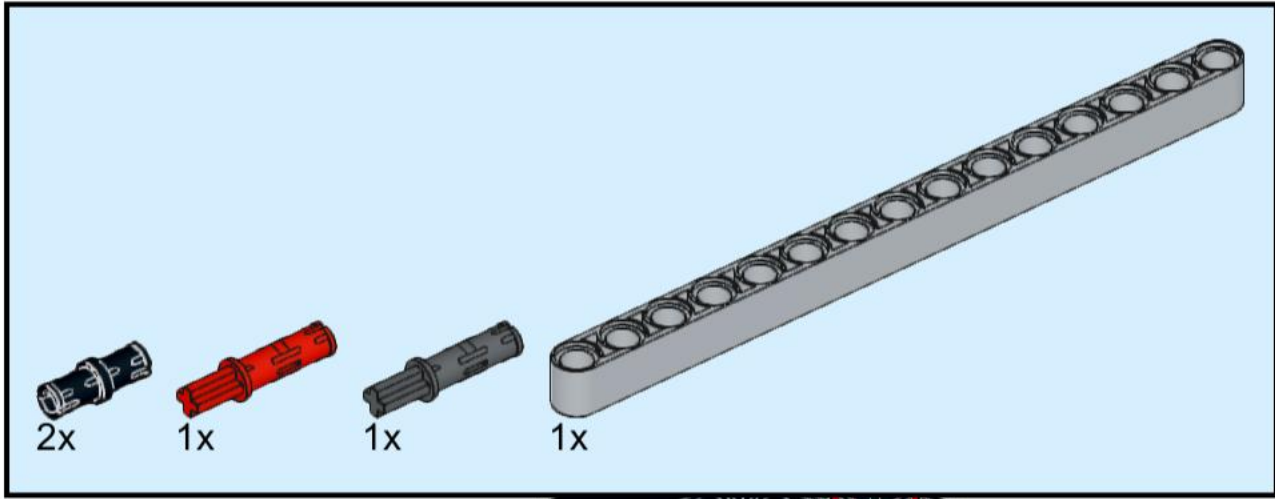
2



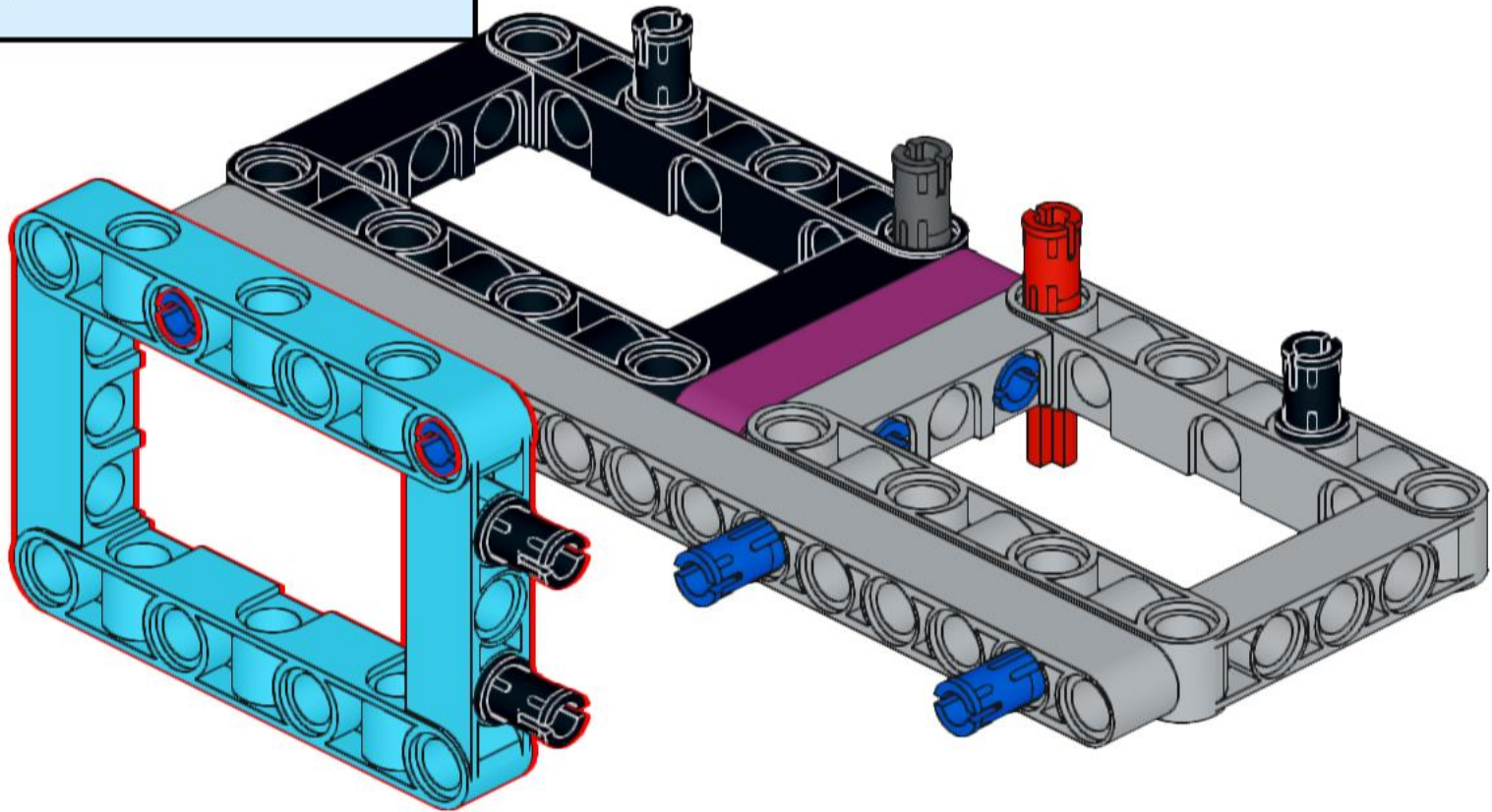
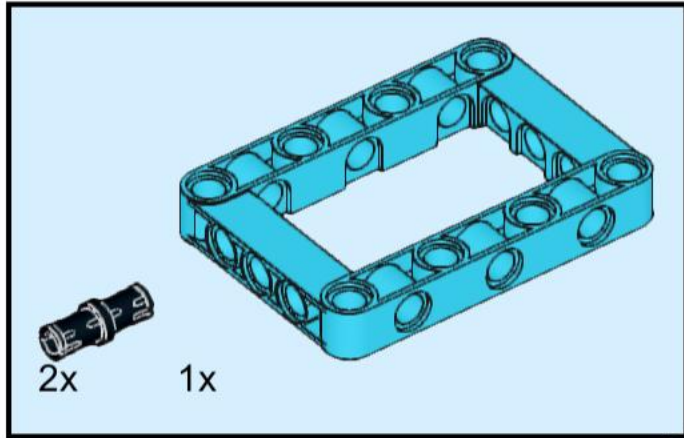
3



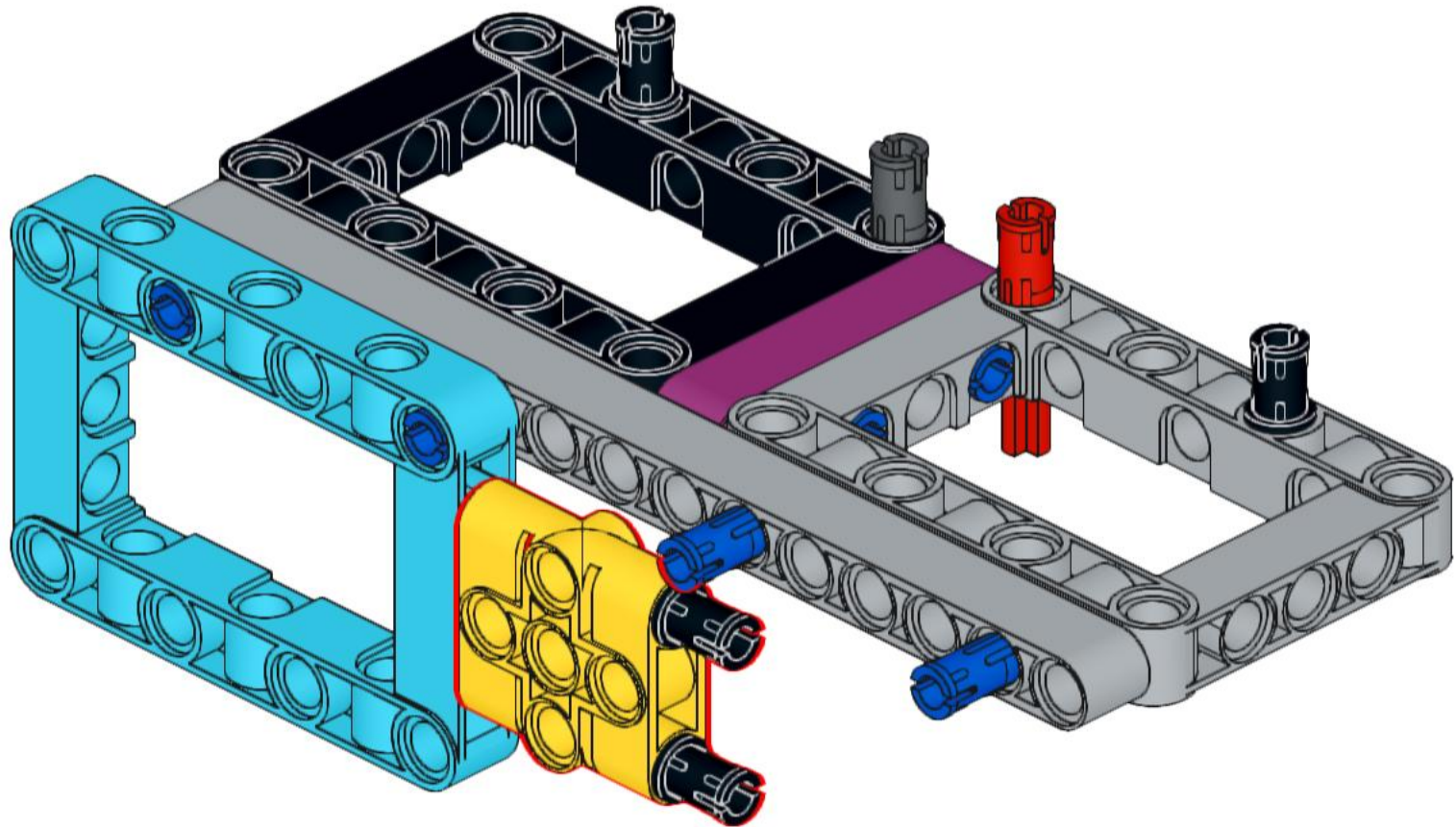
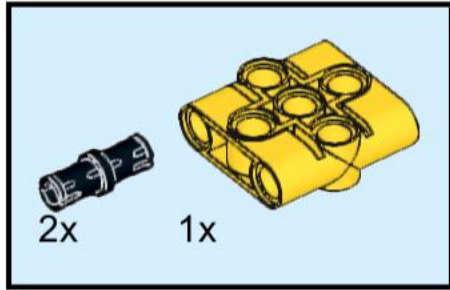
4



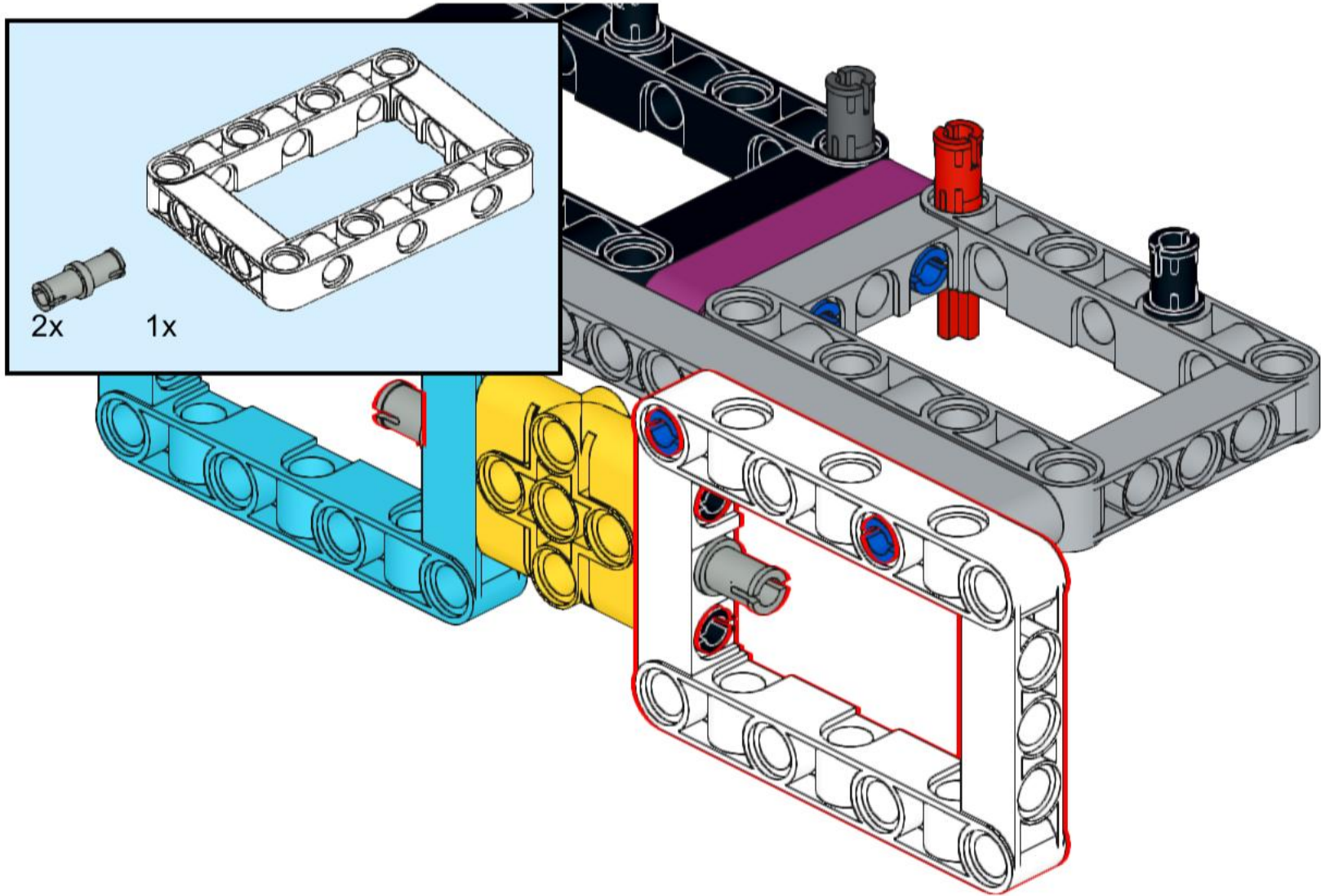
5



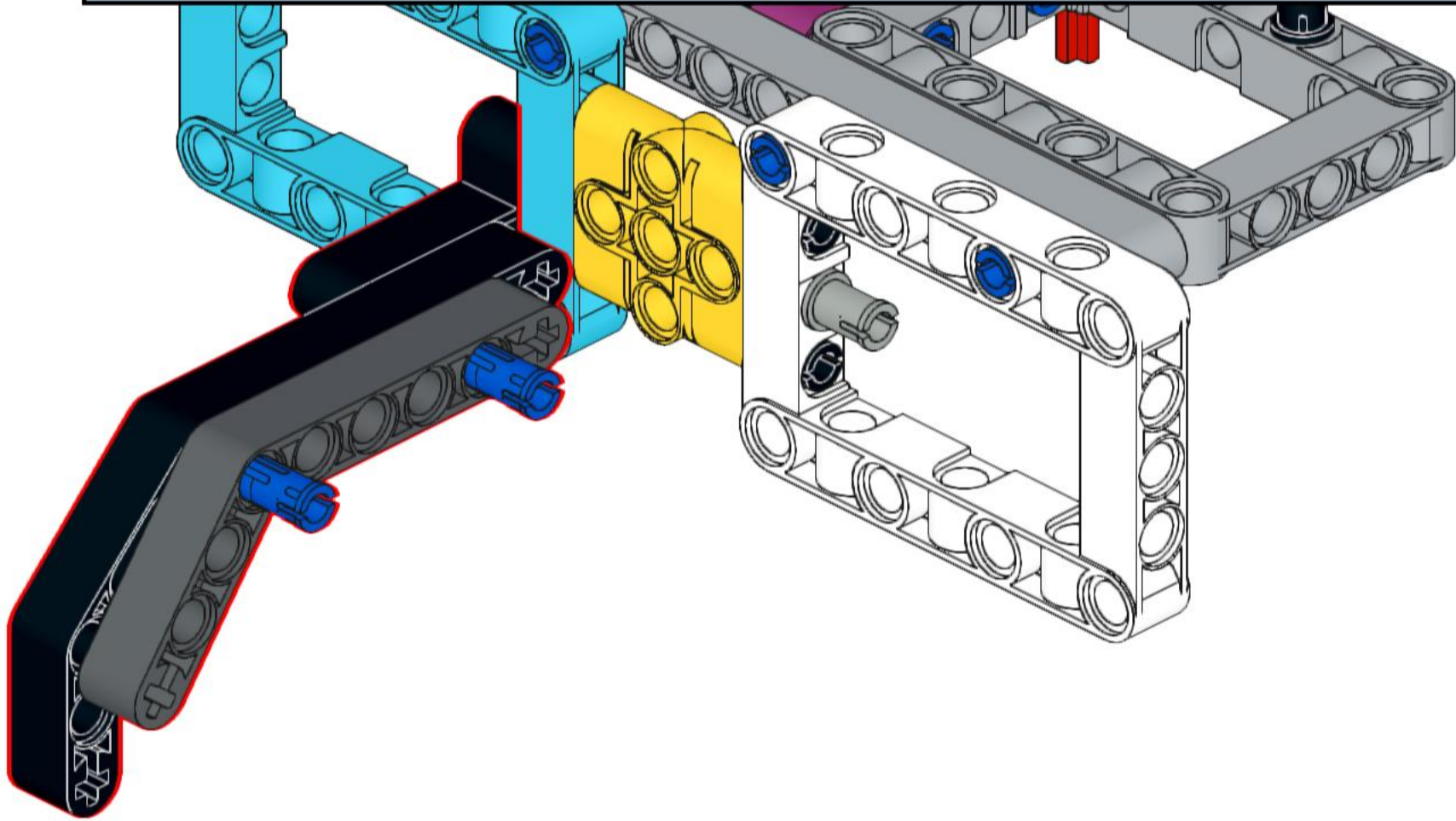
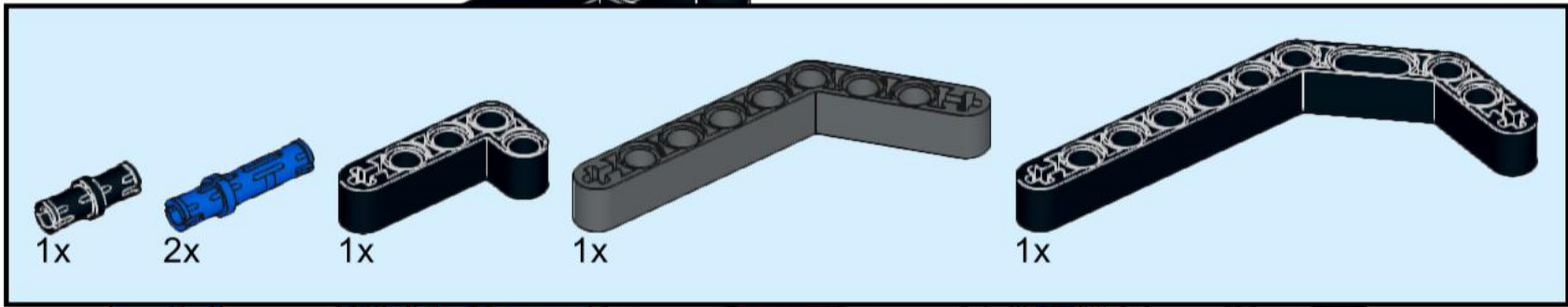
6



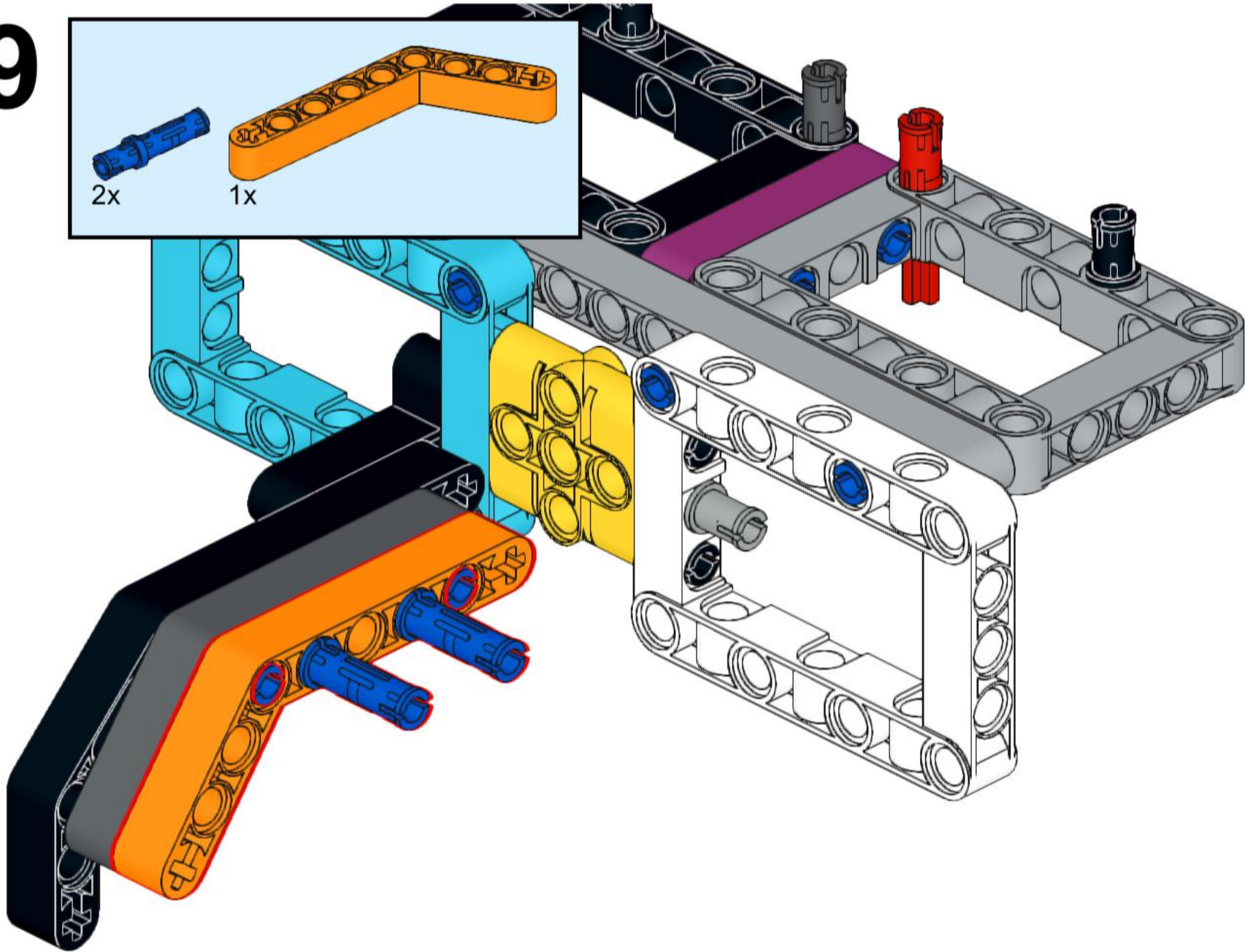
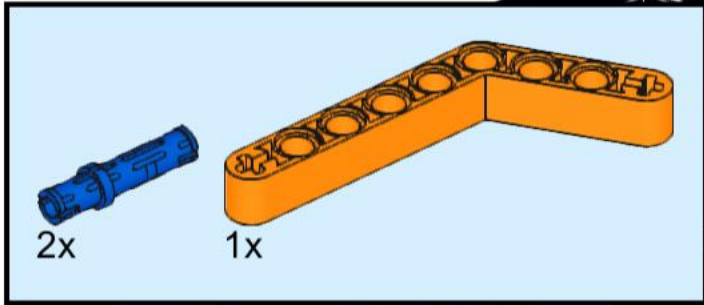
7



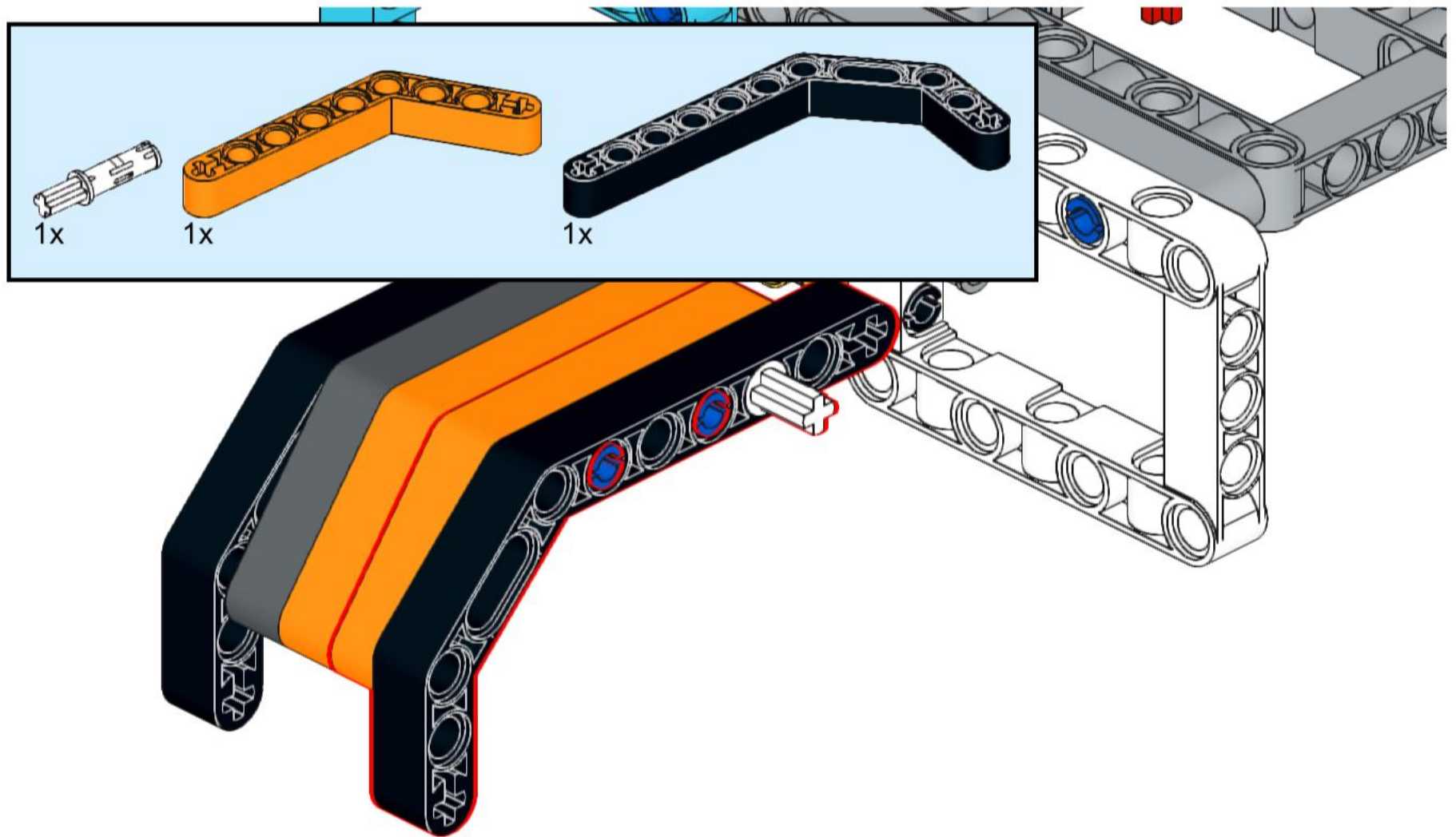
8



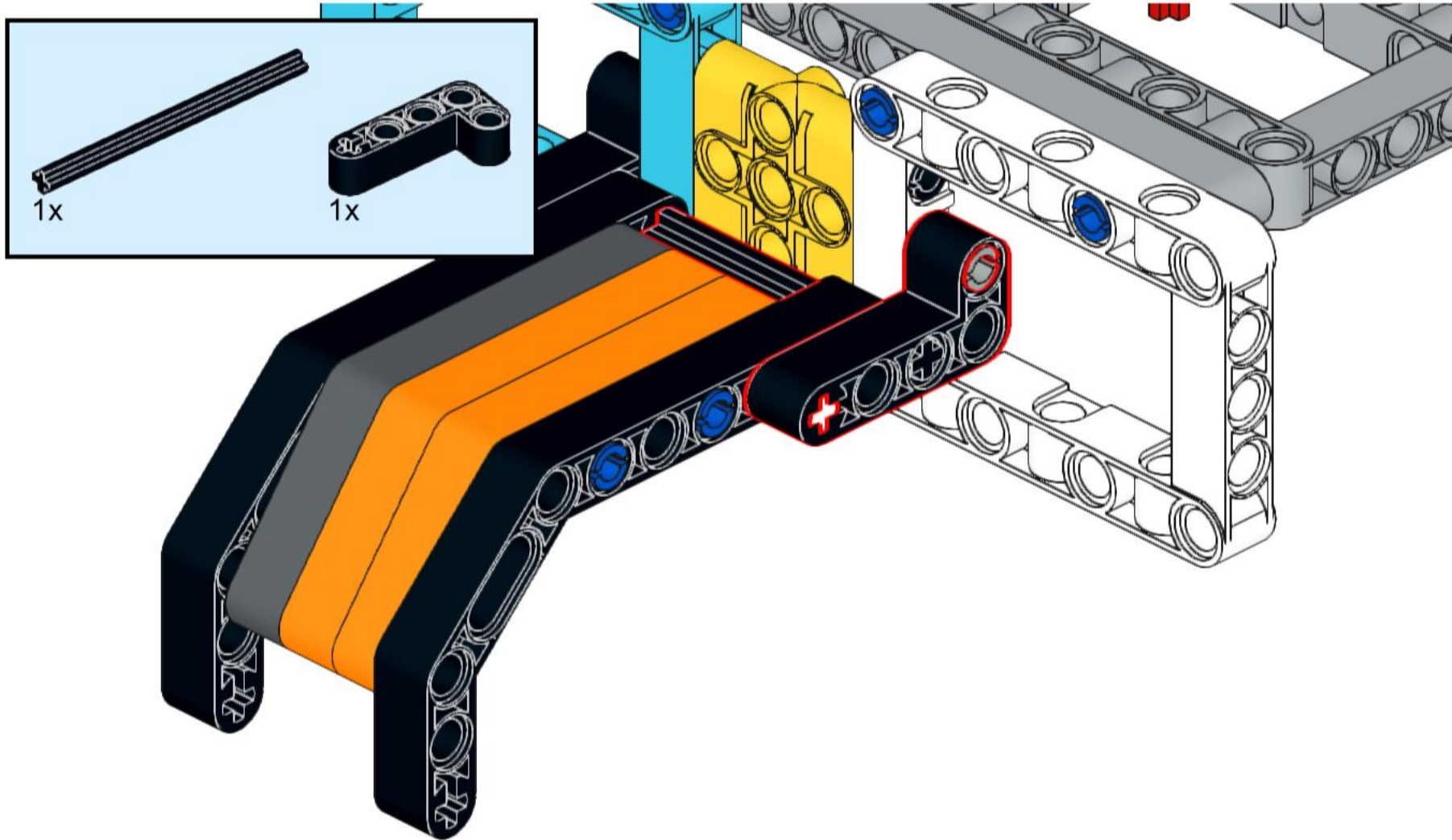
9



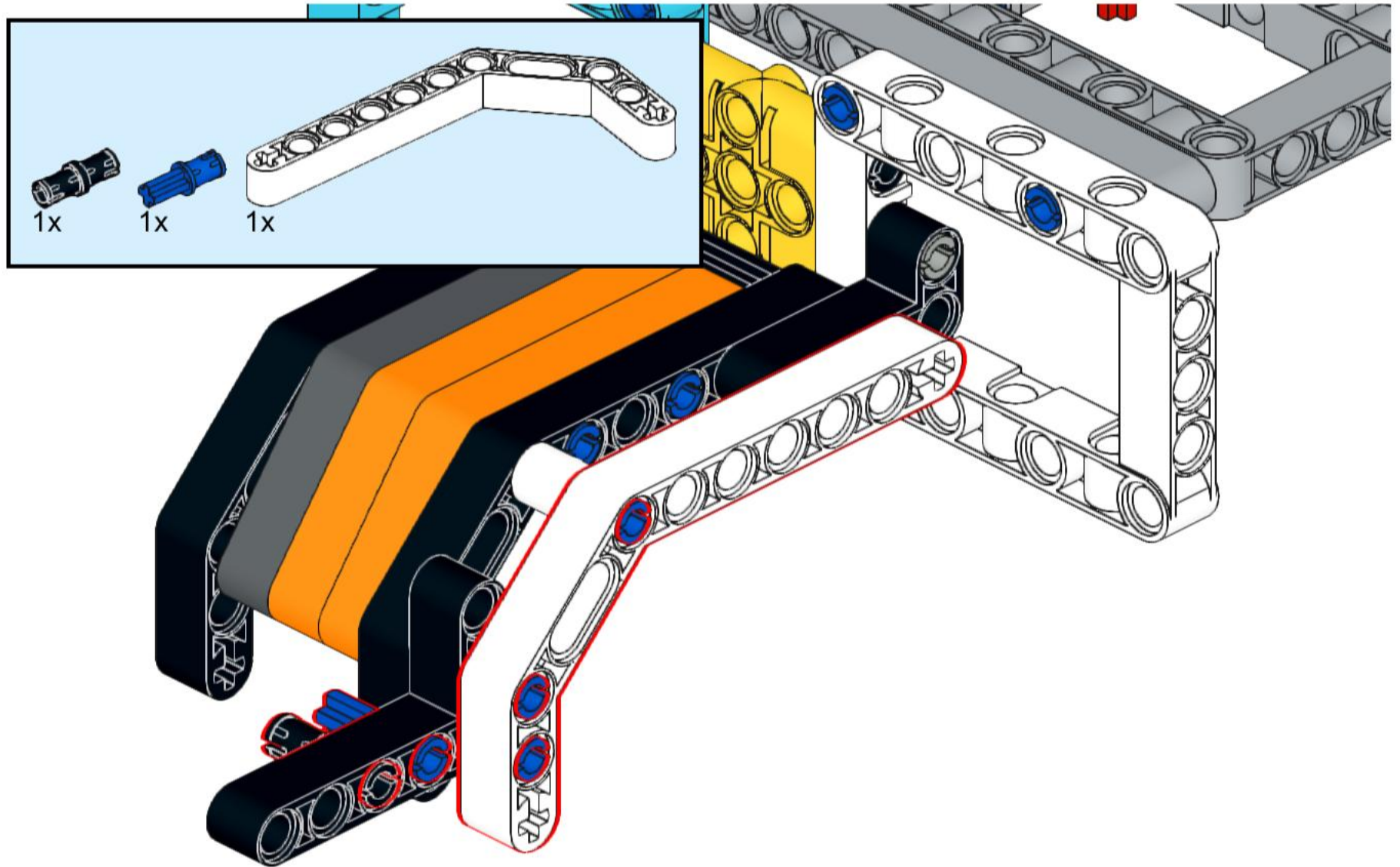
10



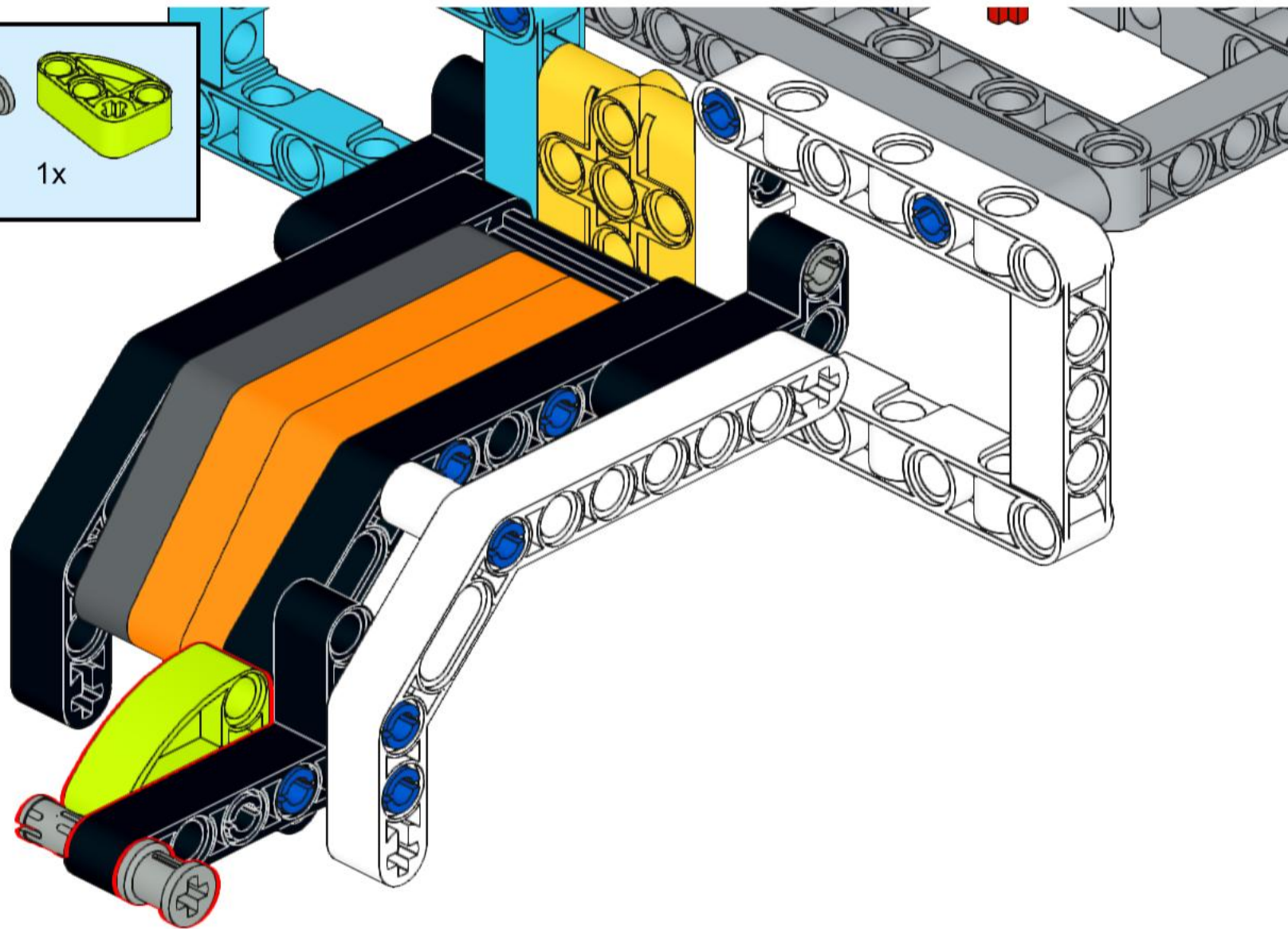
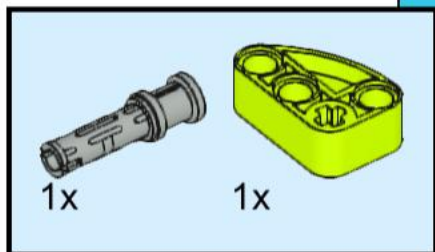
11



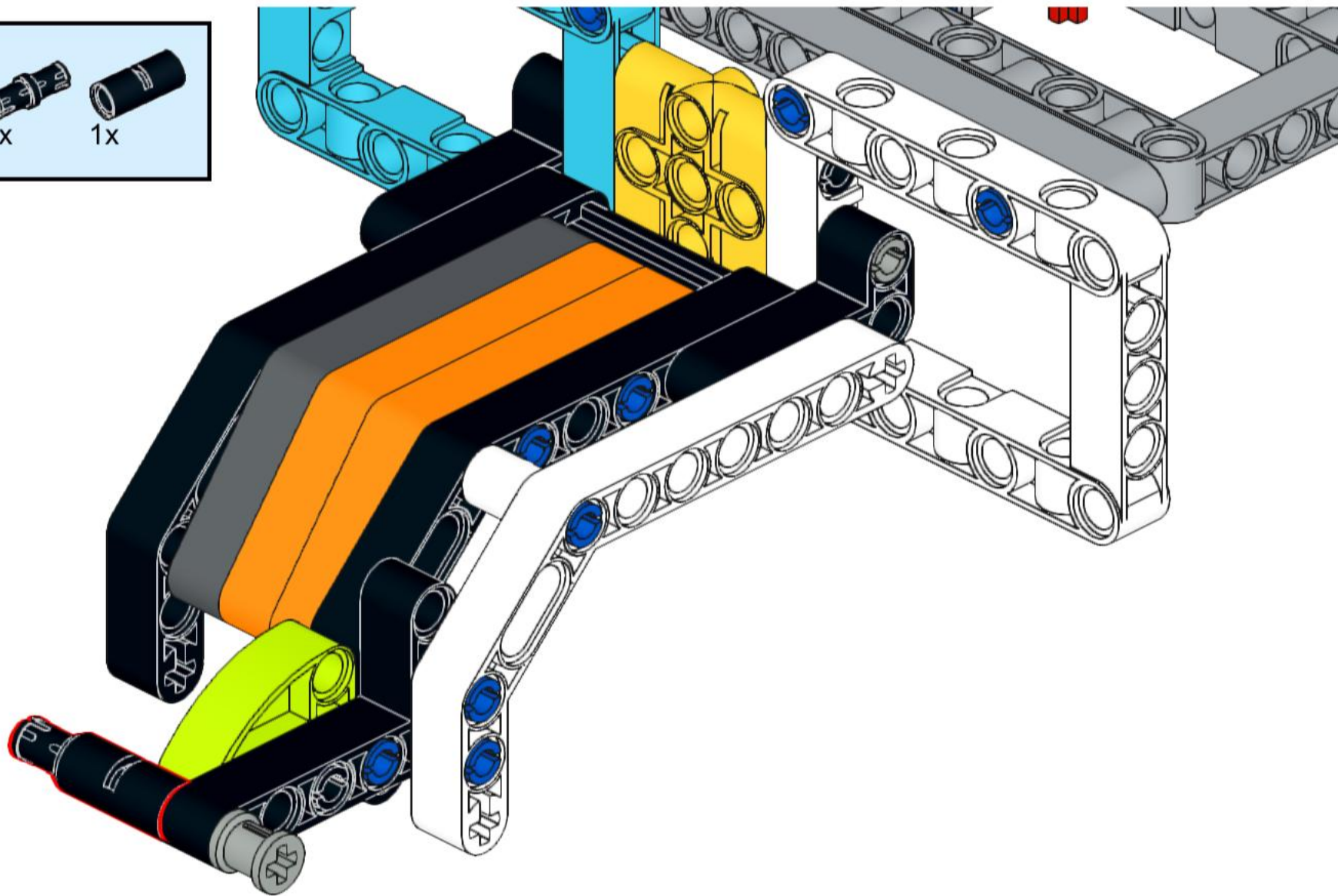
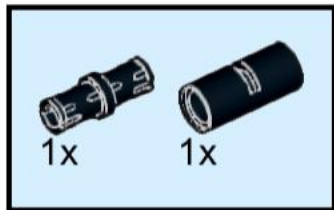
13



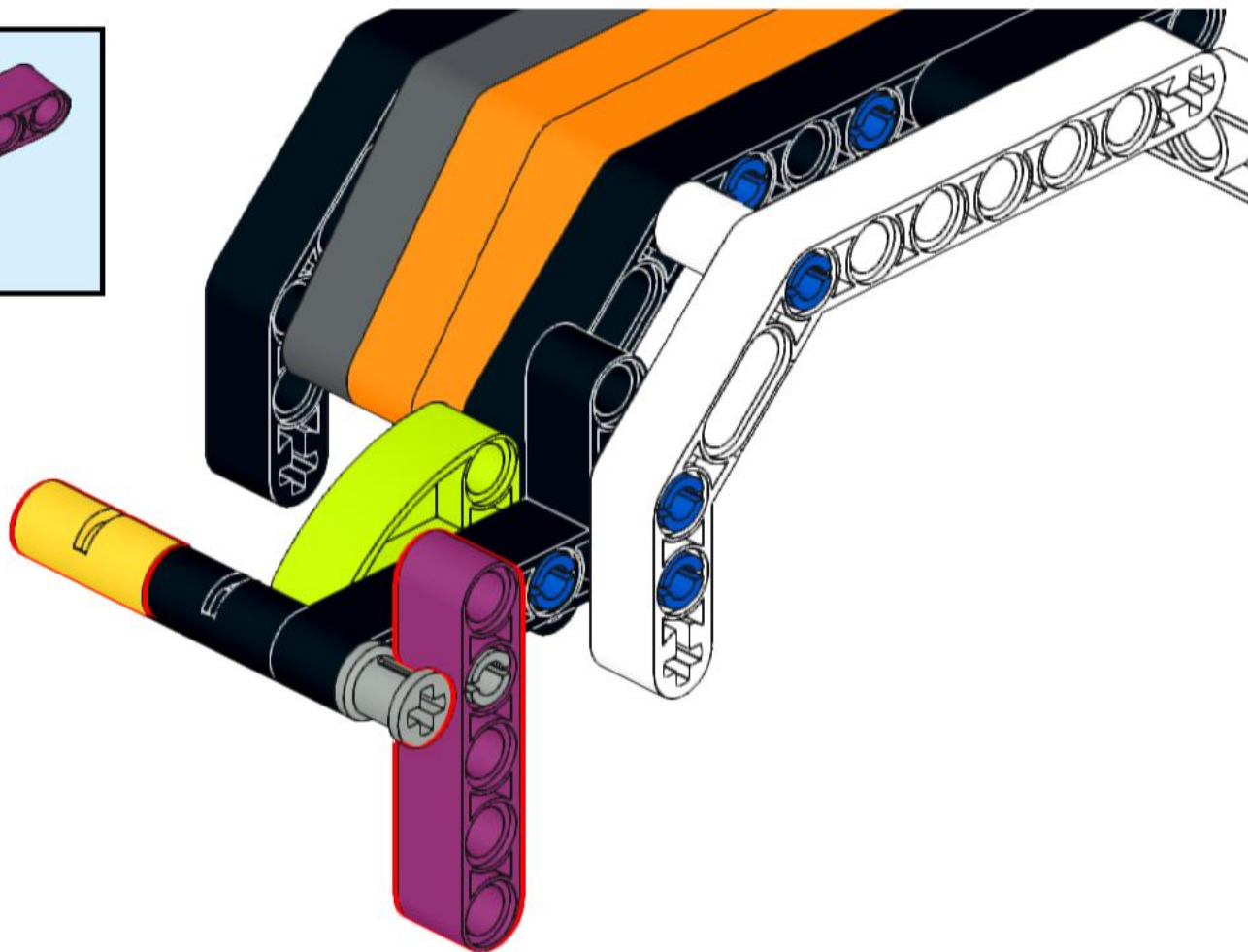
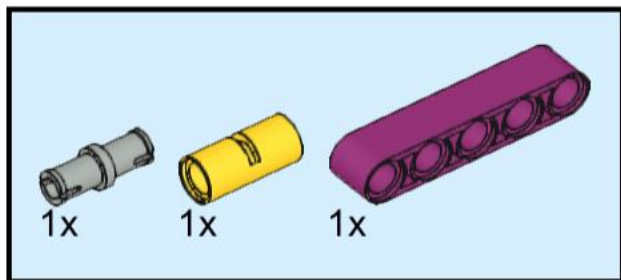
14



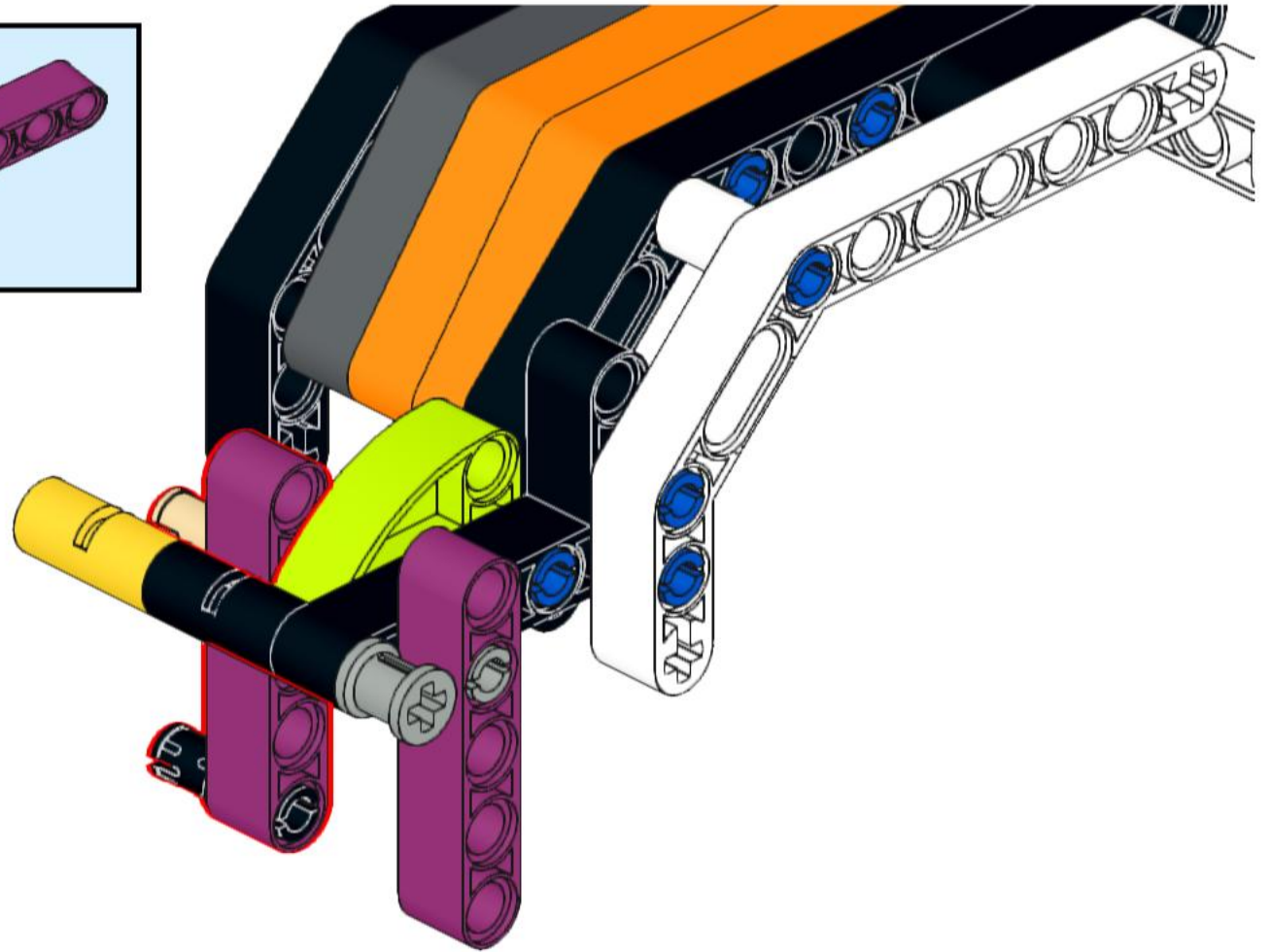
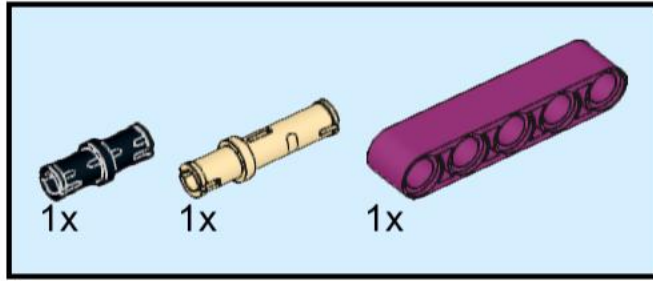
15



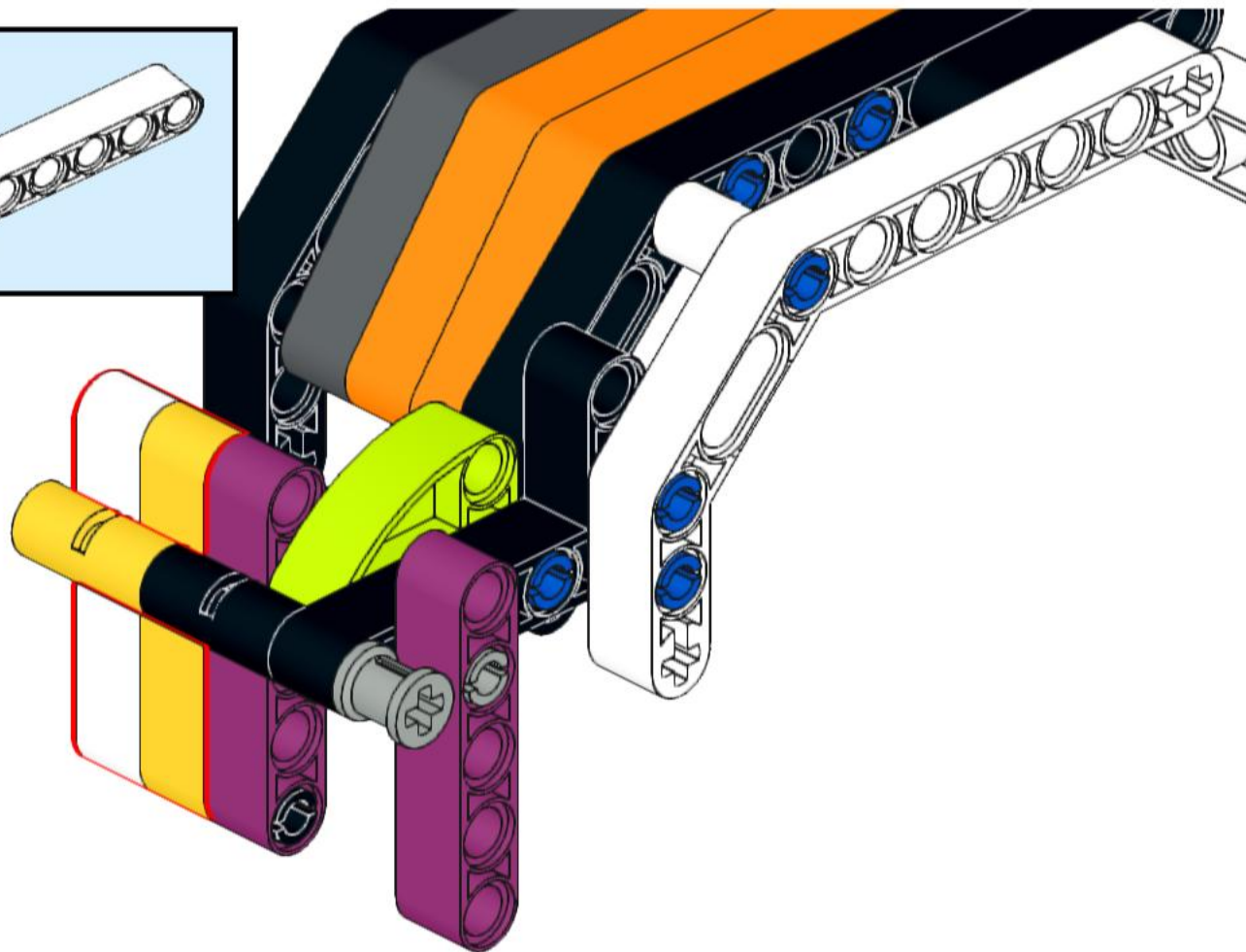
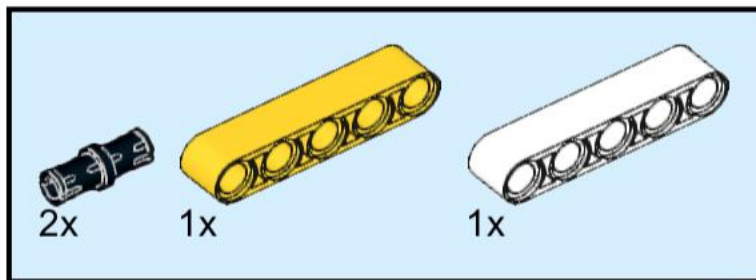
16



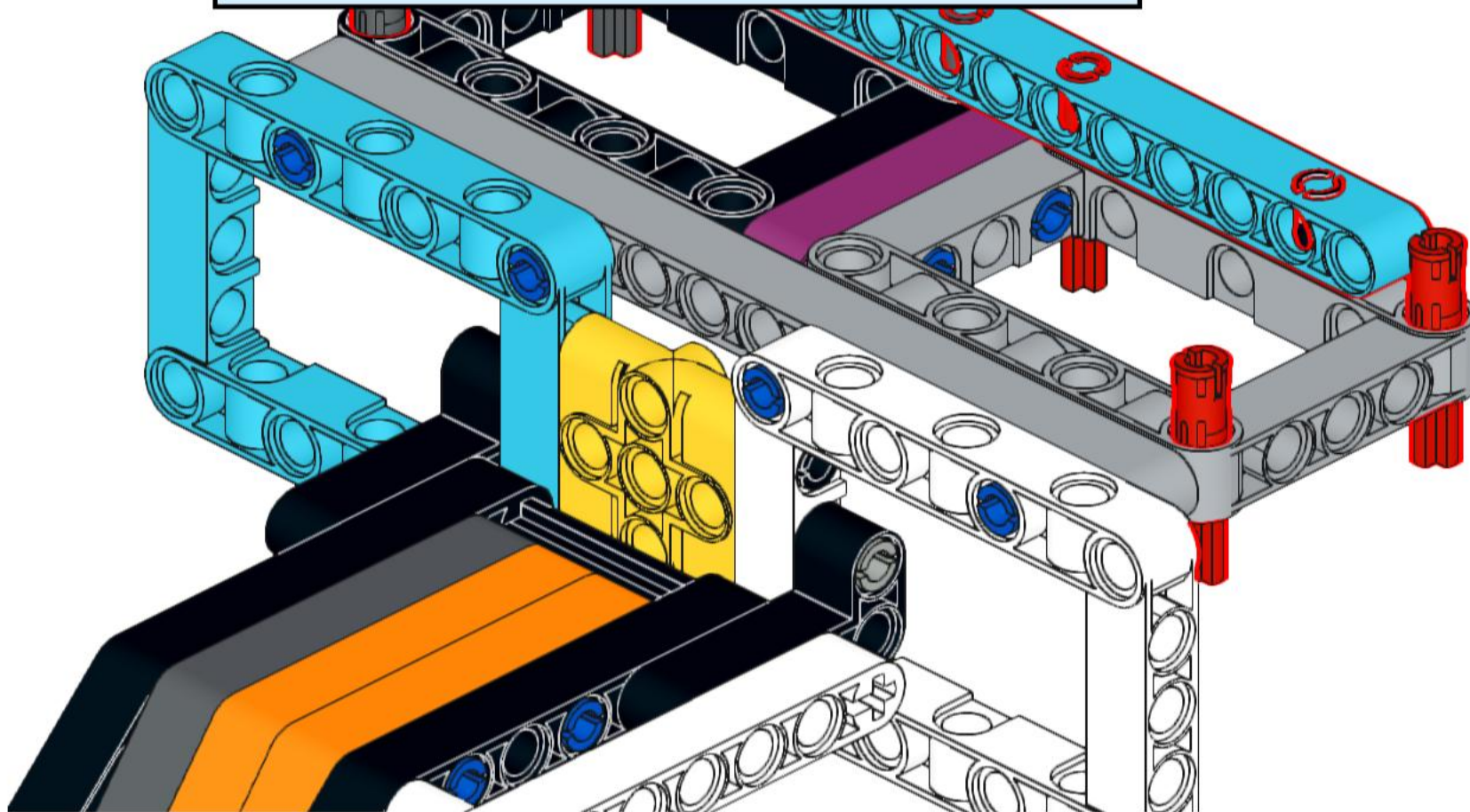
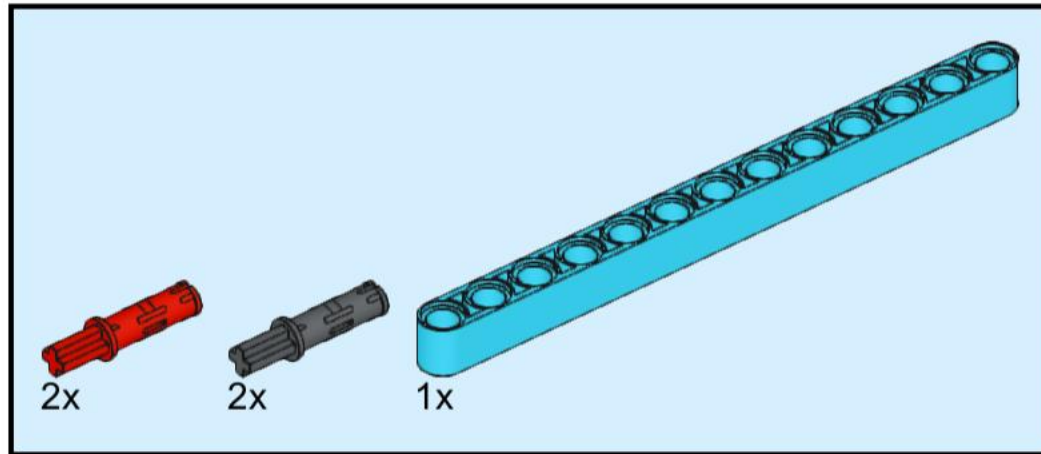
17



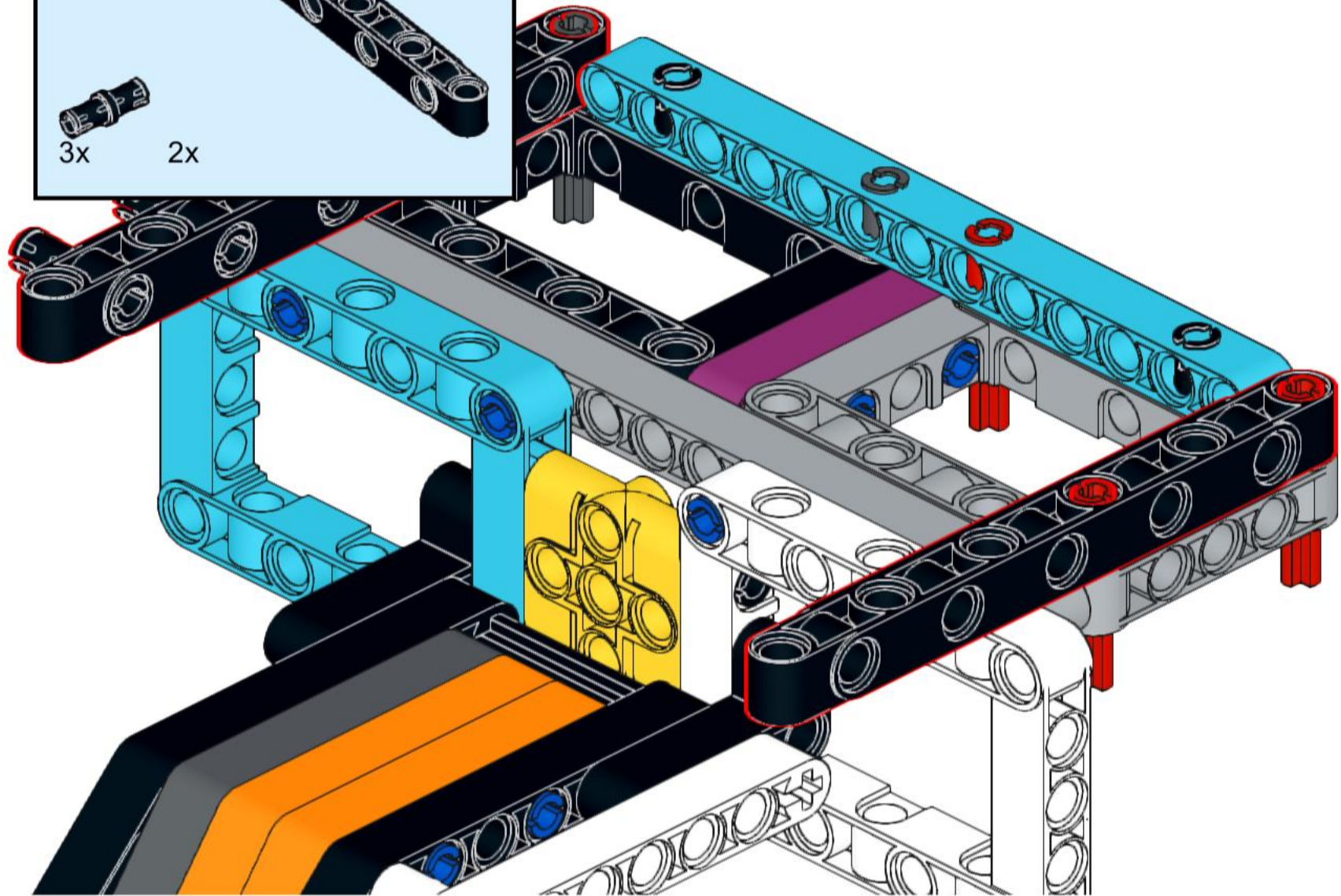
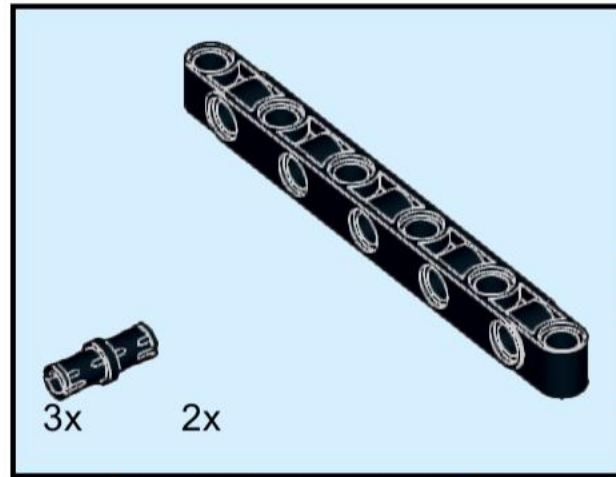
18



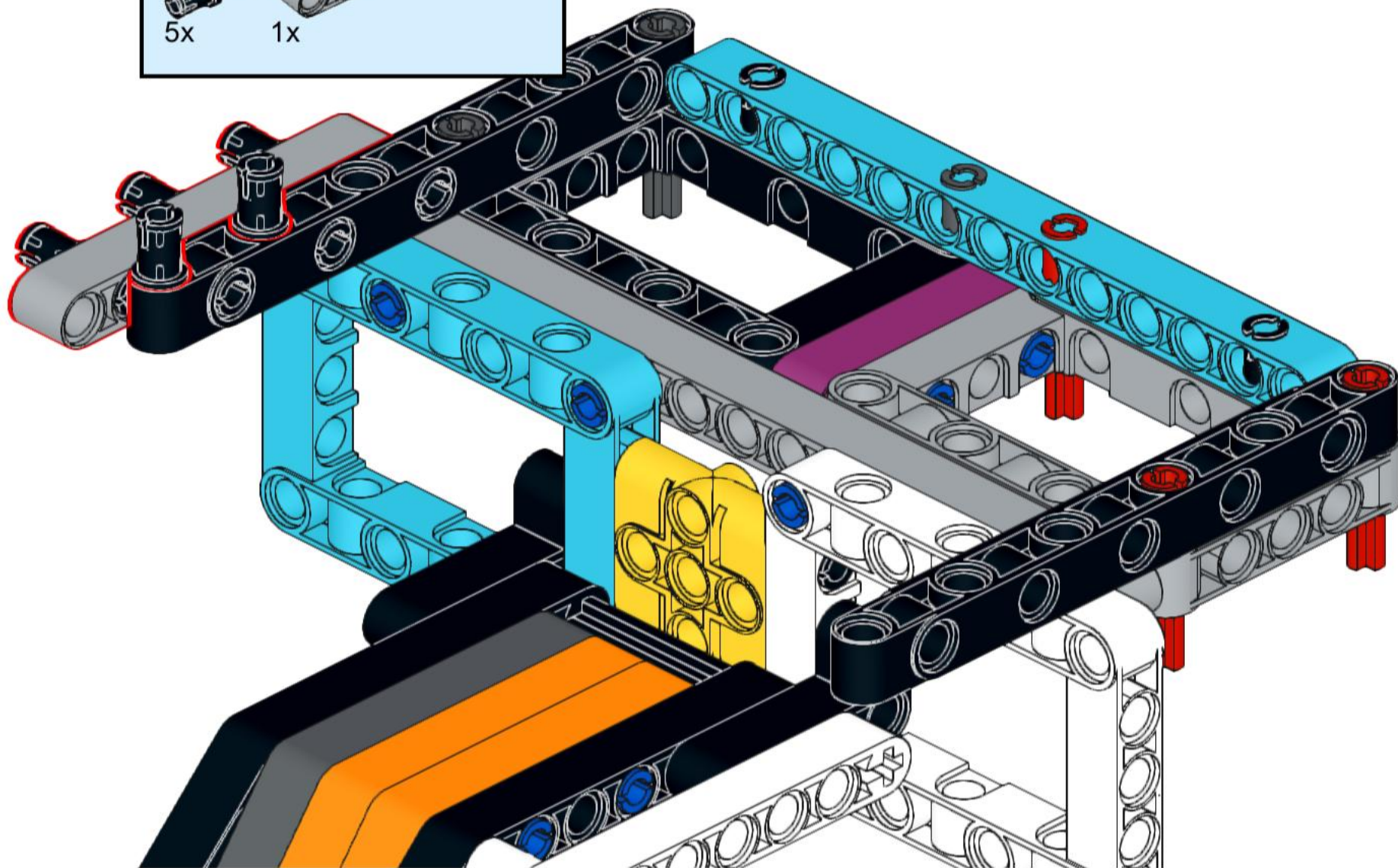
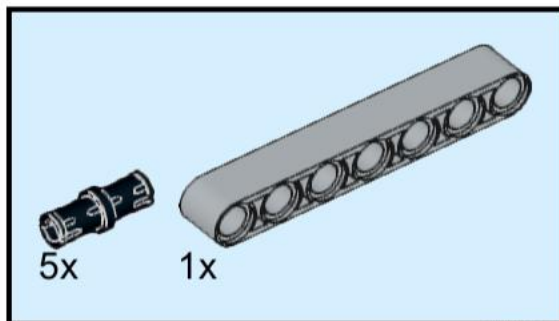
19



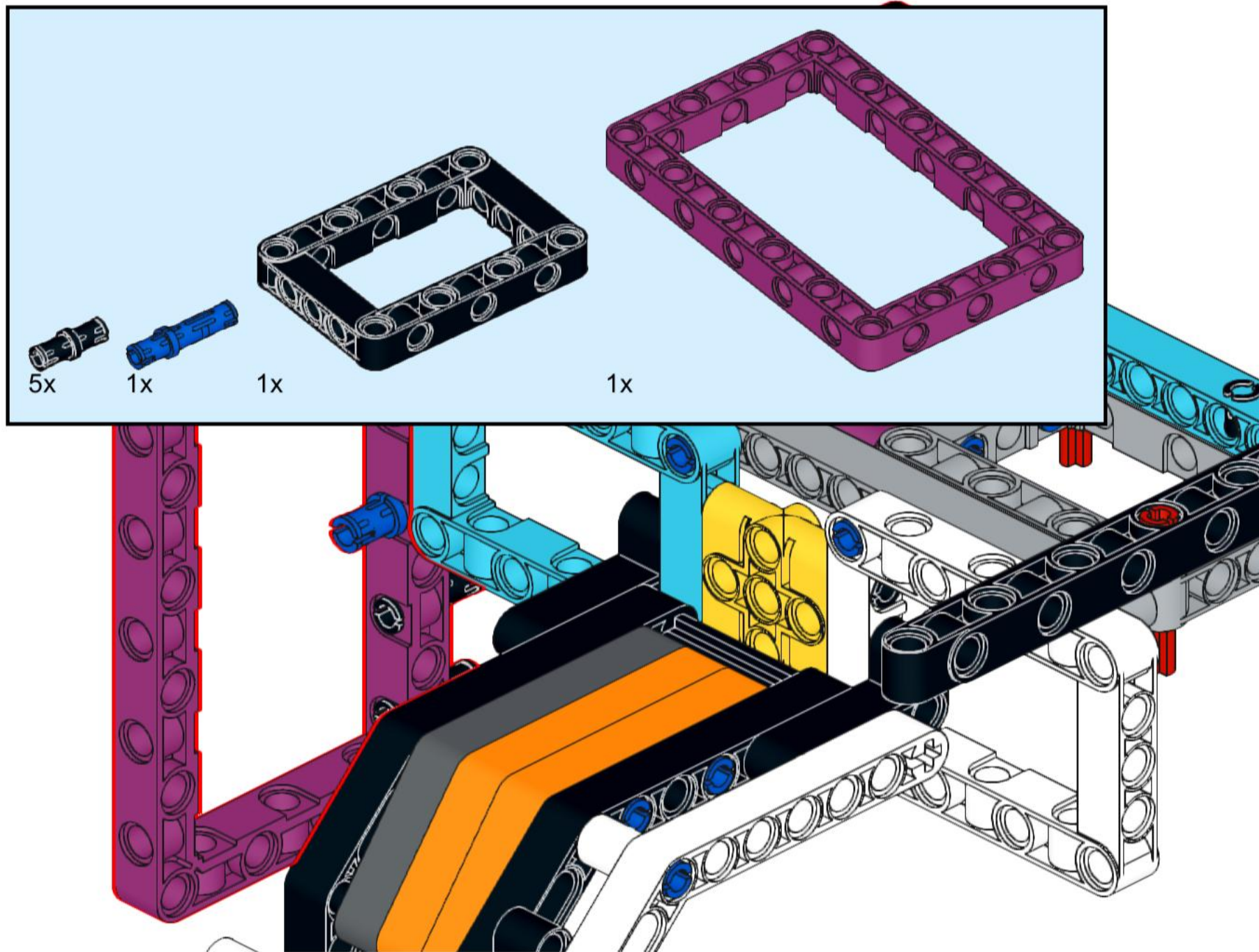
20



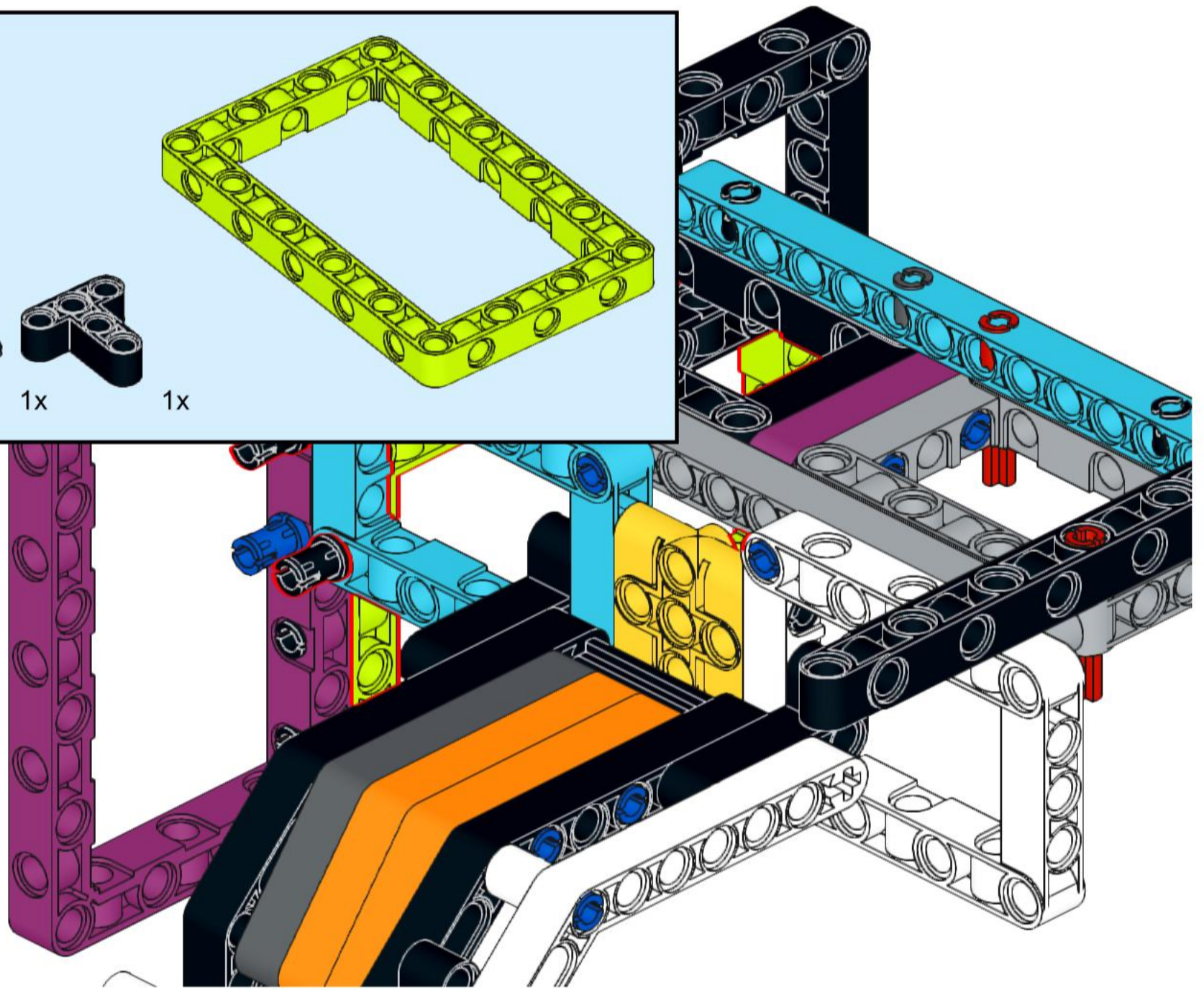
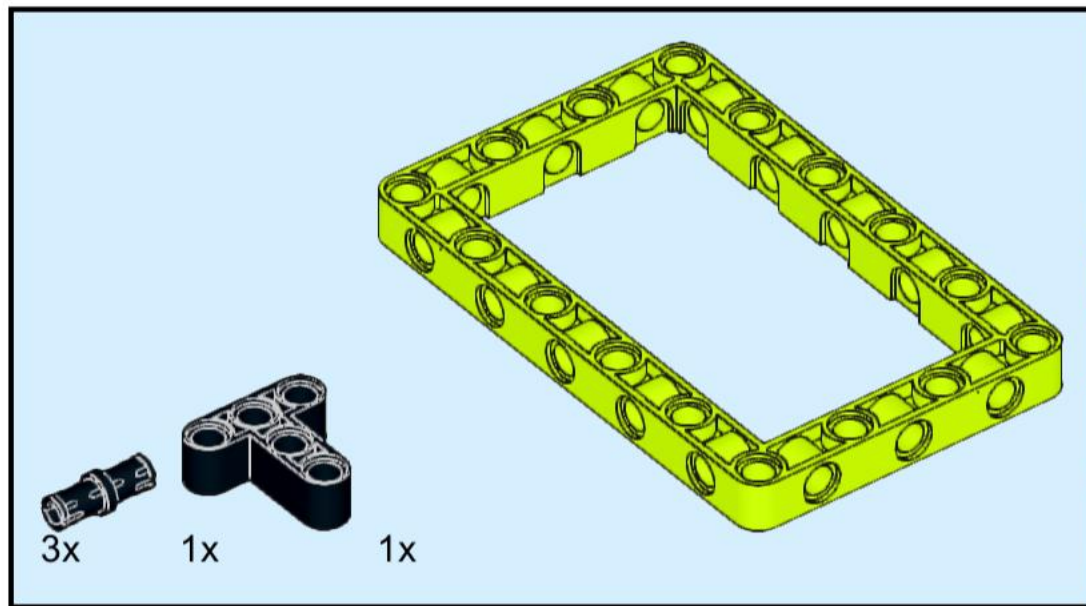
21



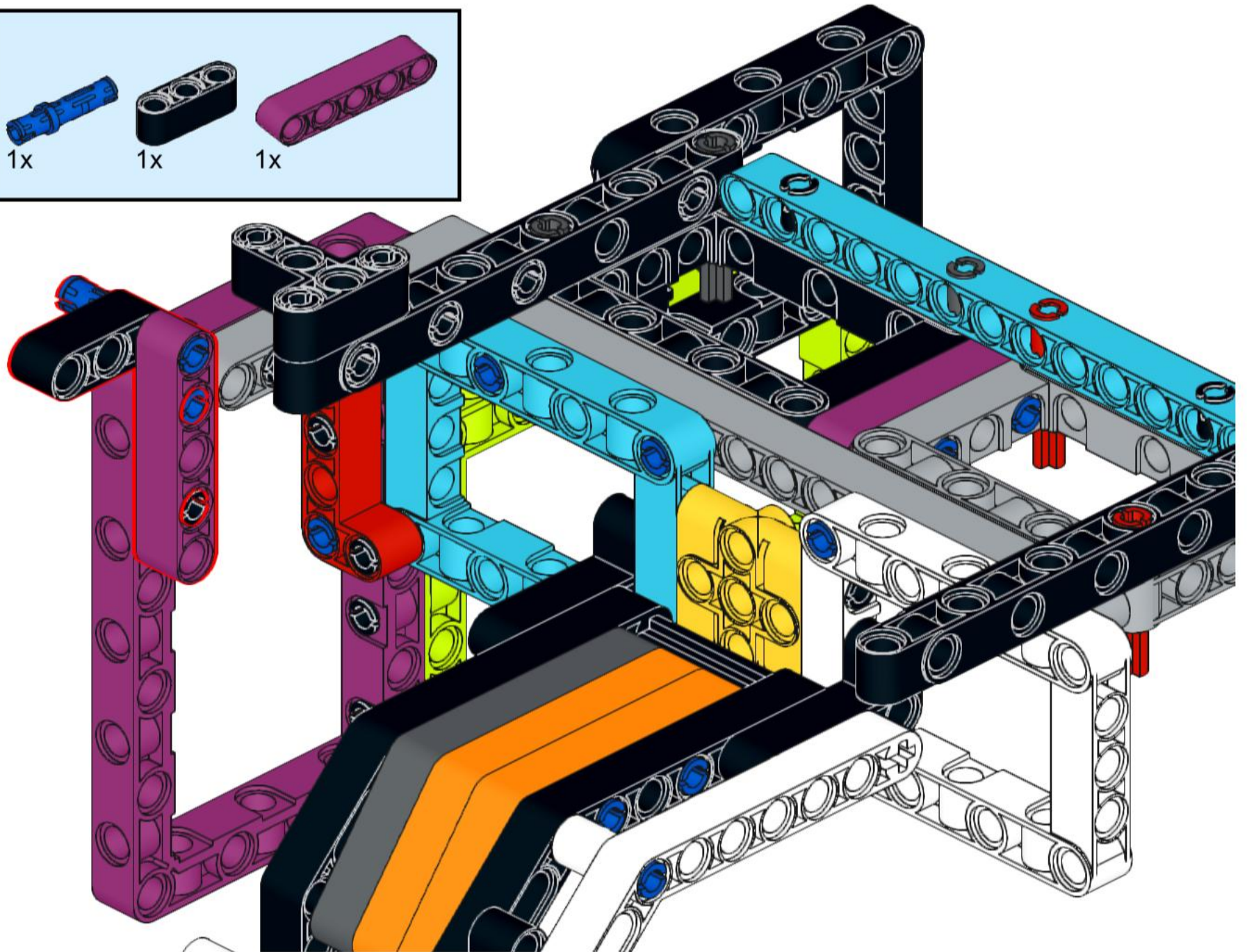
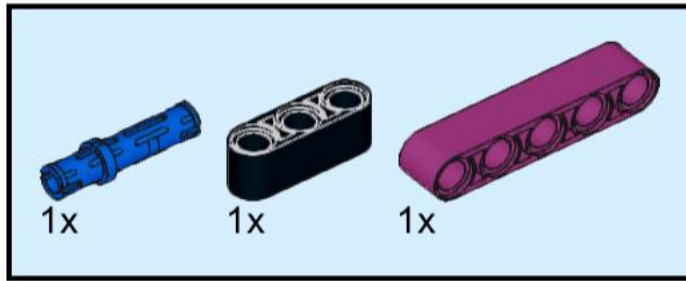
22



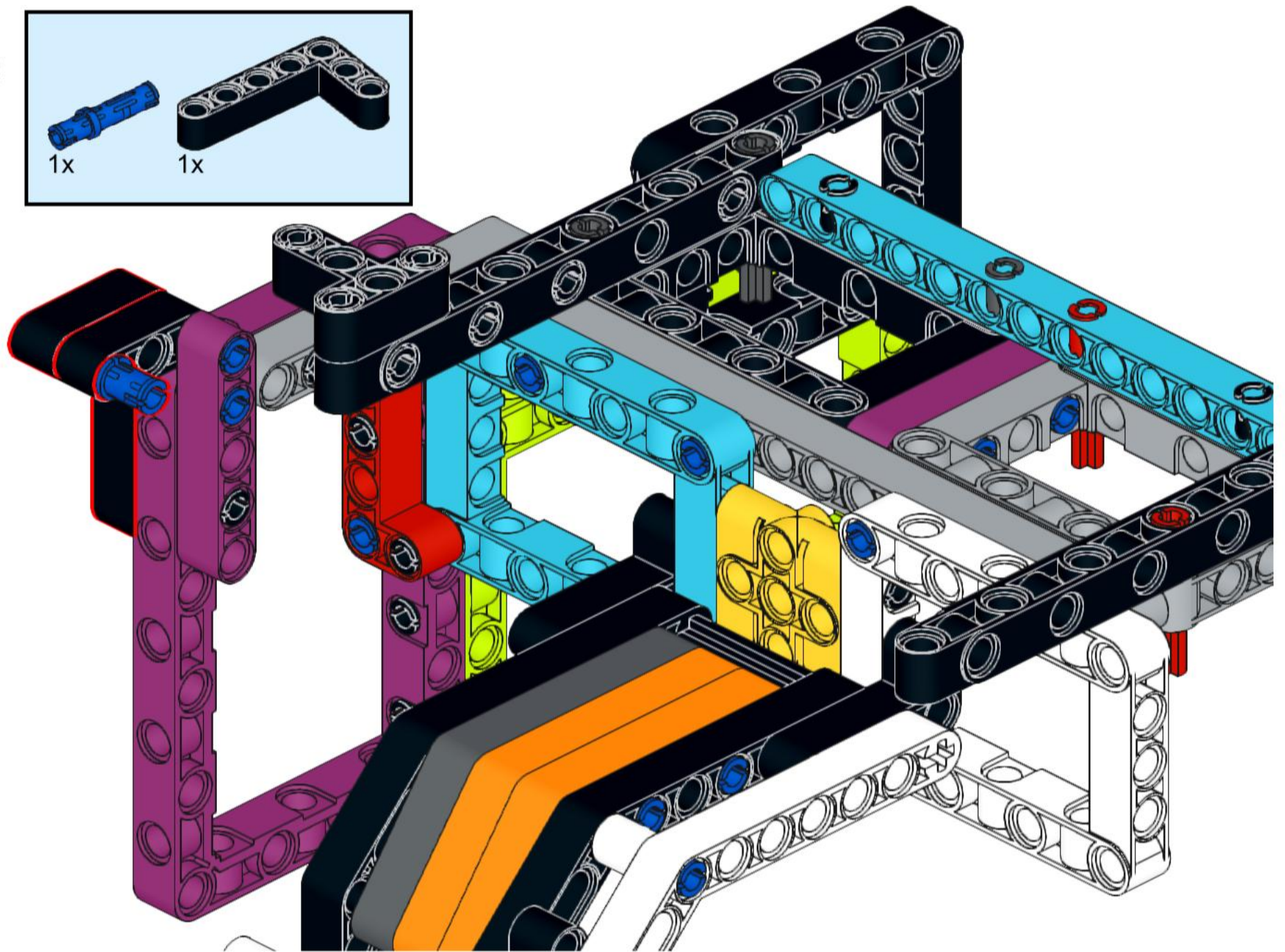
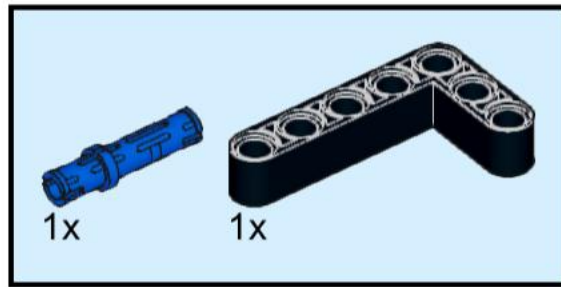
23



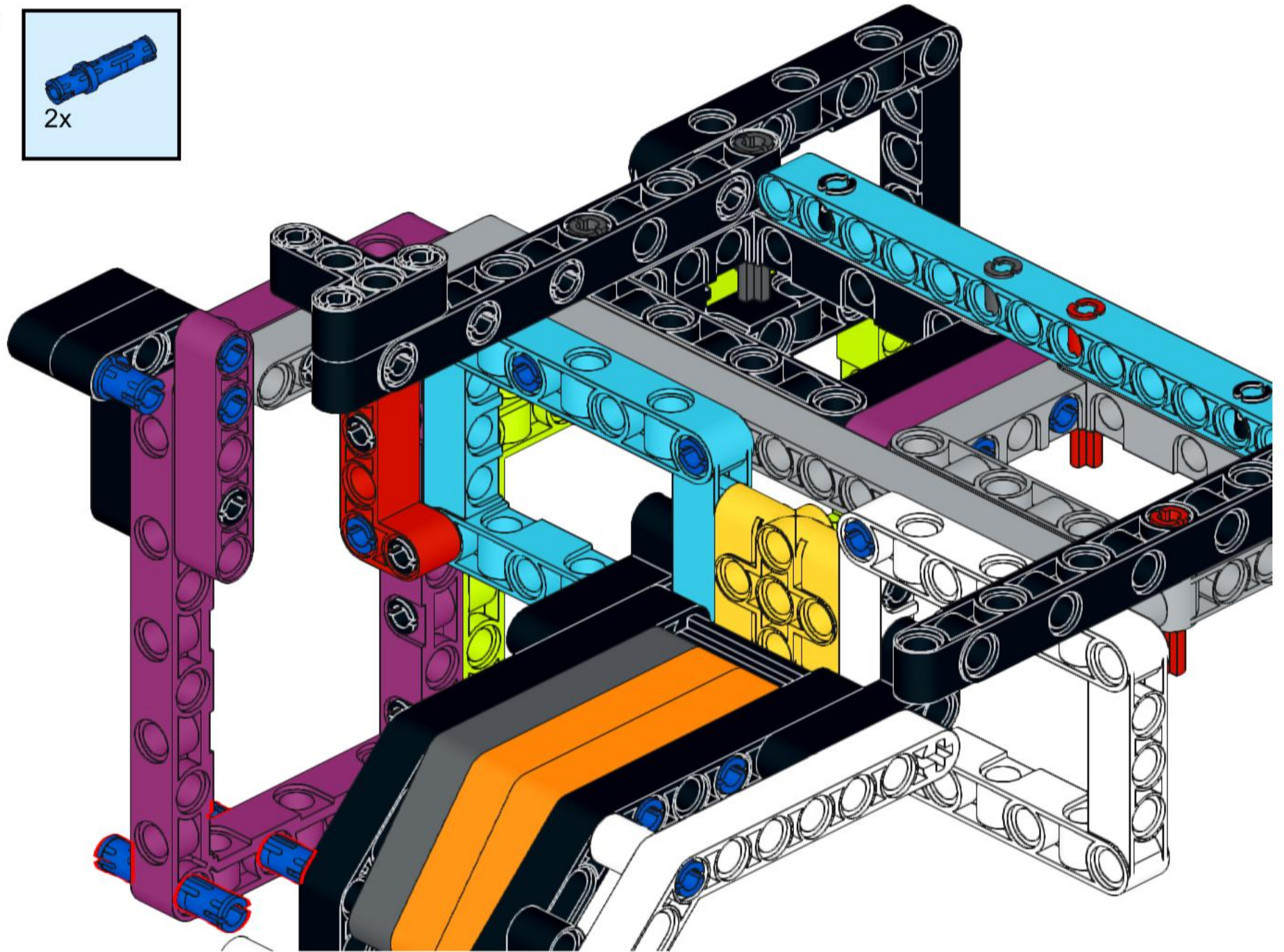
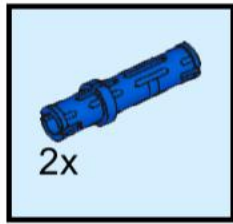
25



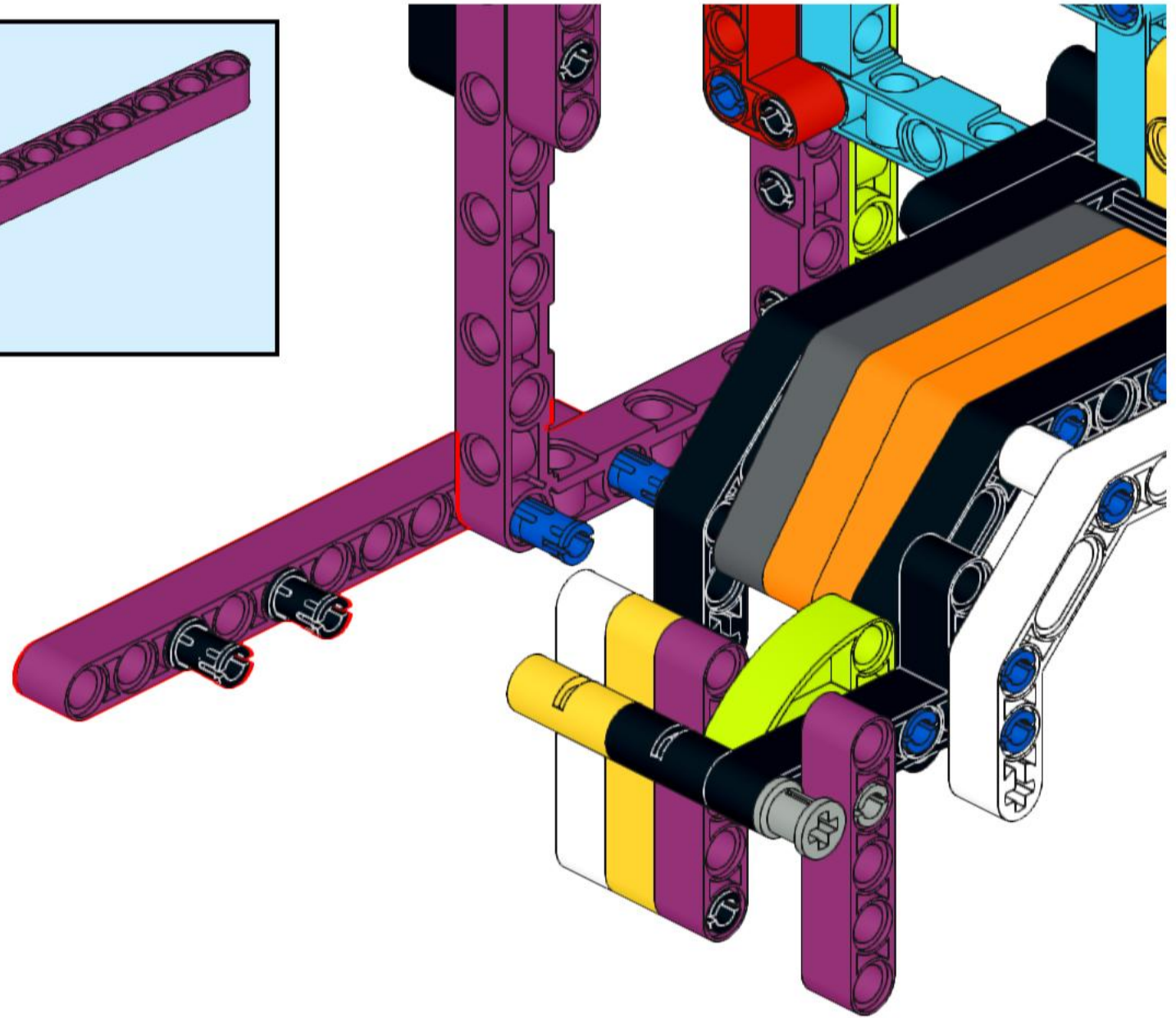
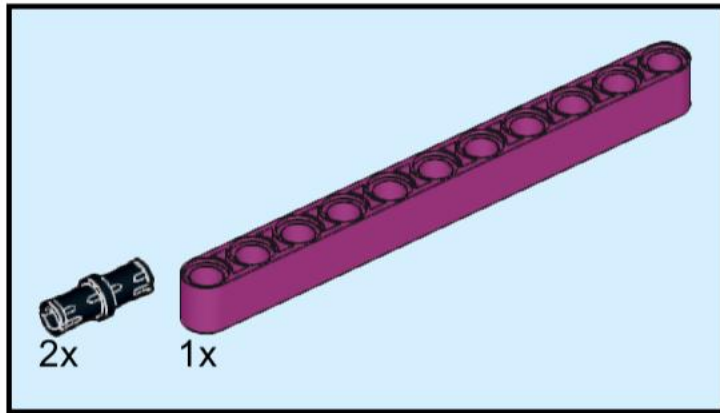
26



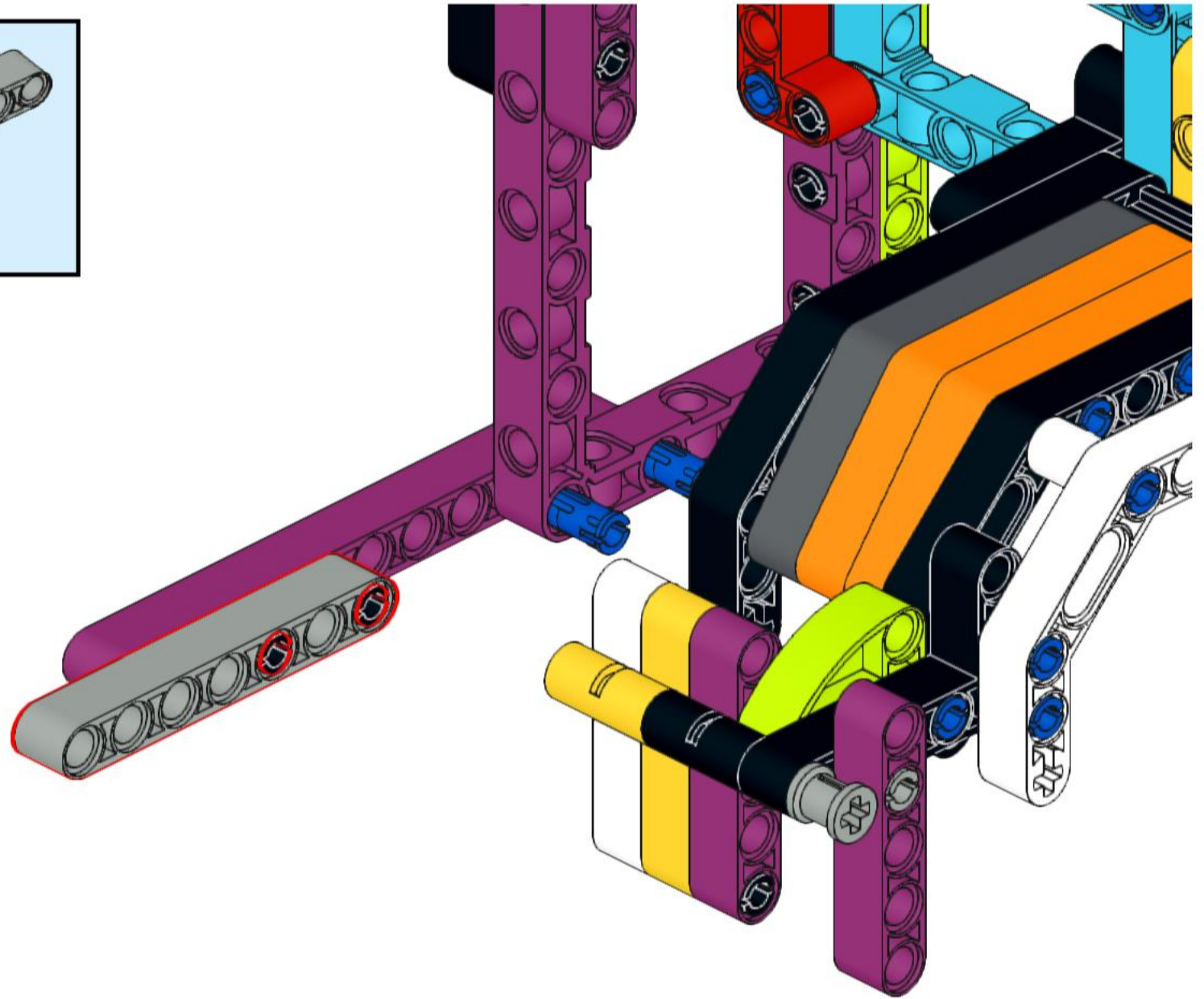
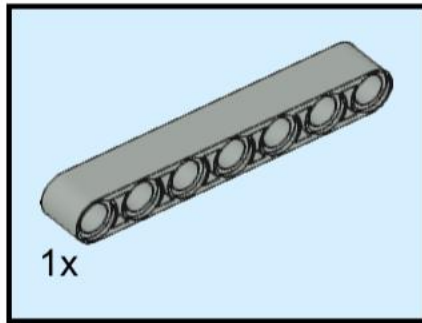
27



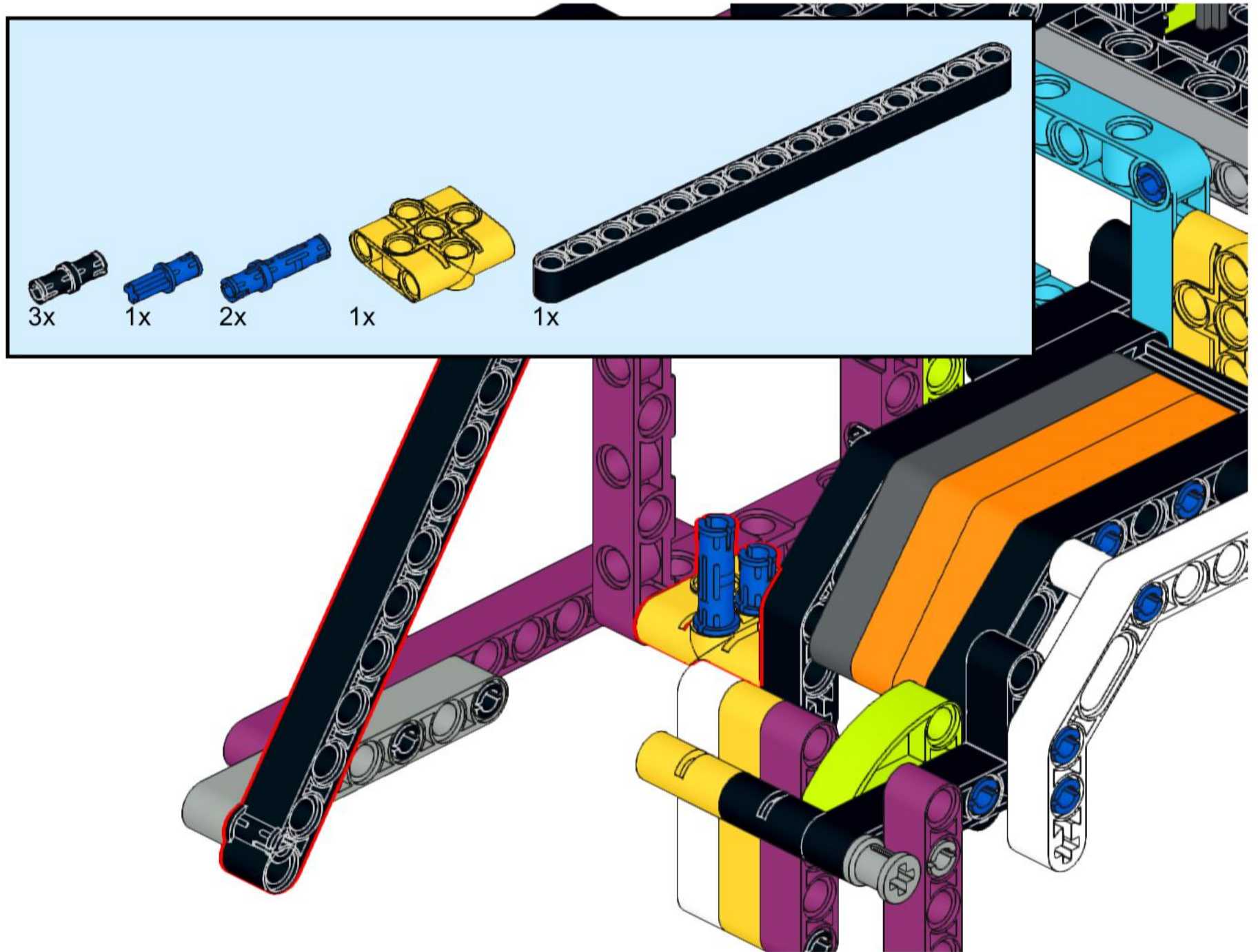
28



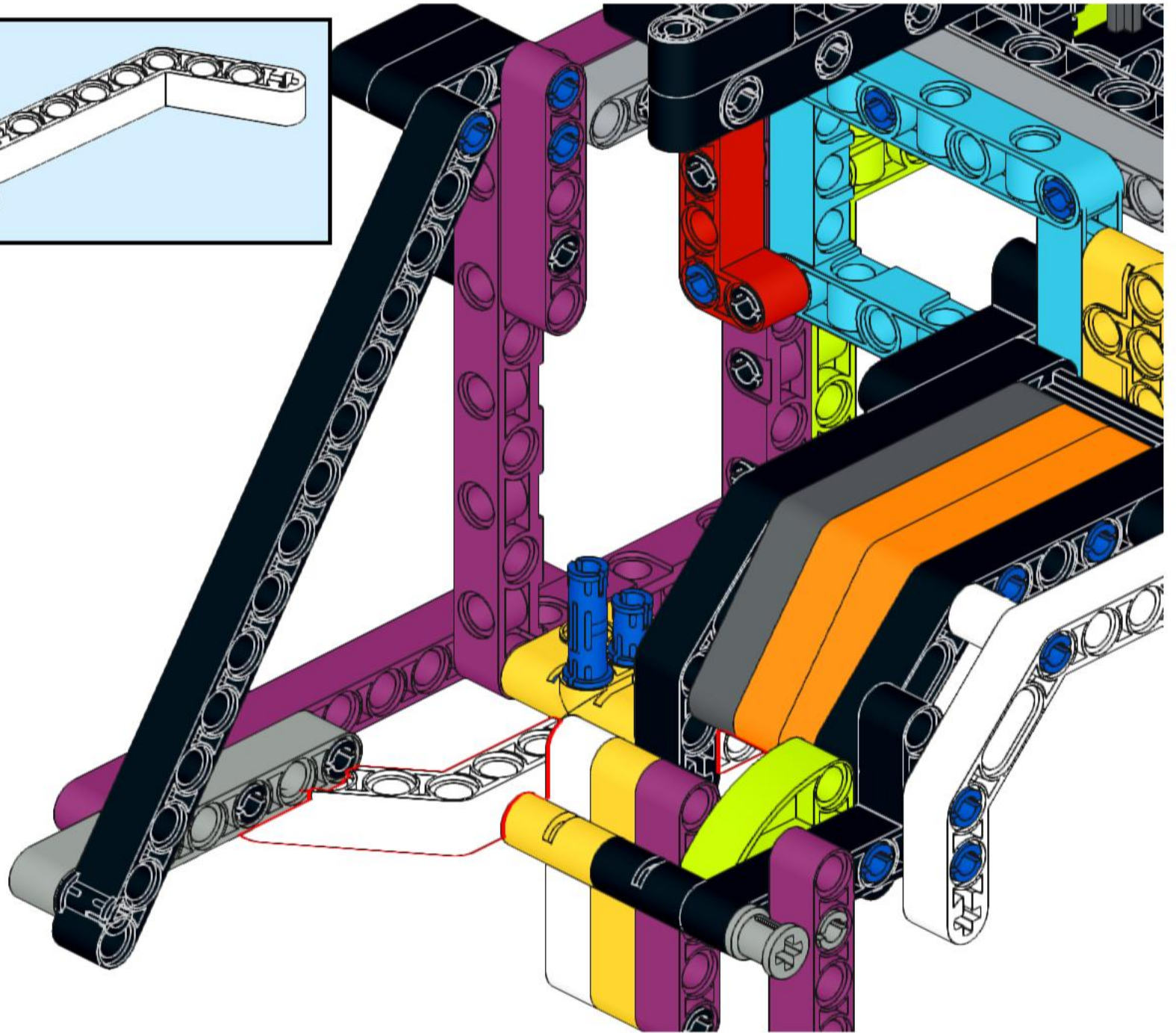
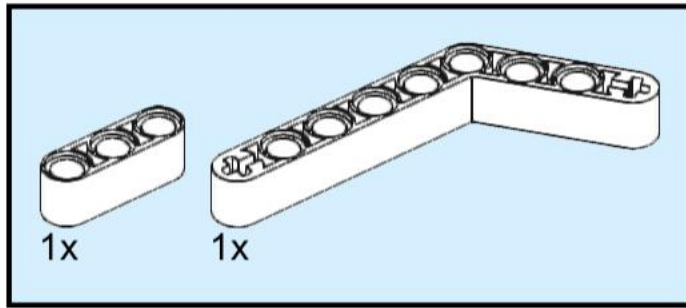
29

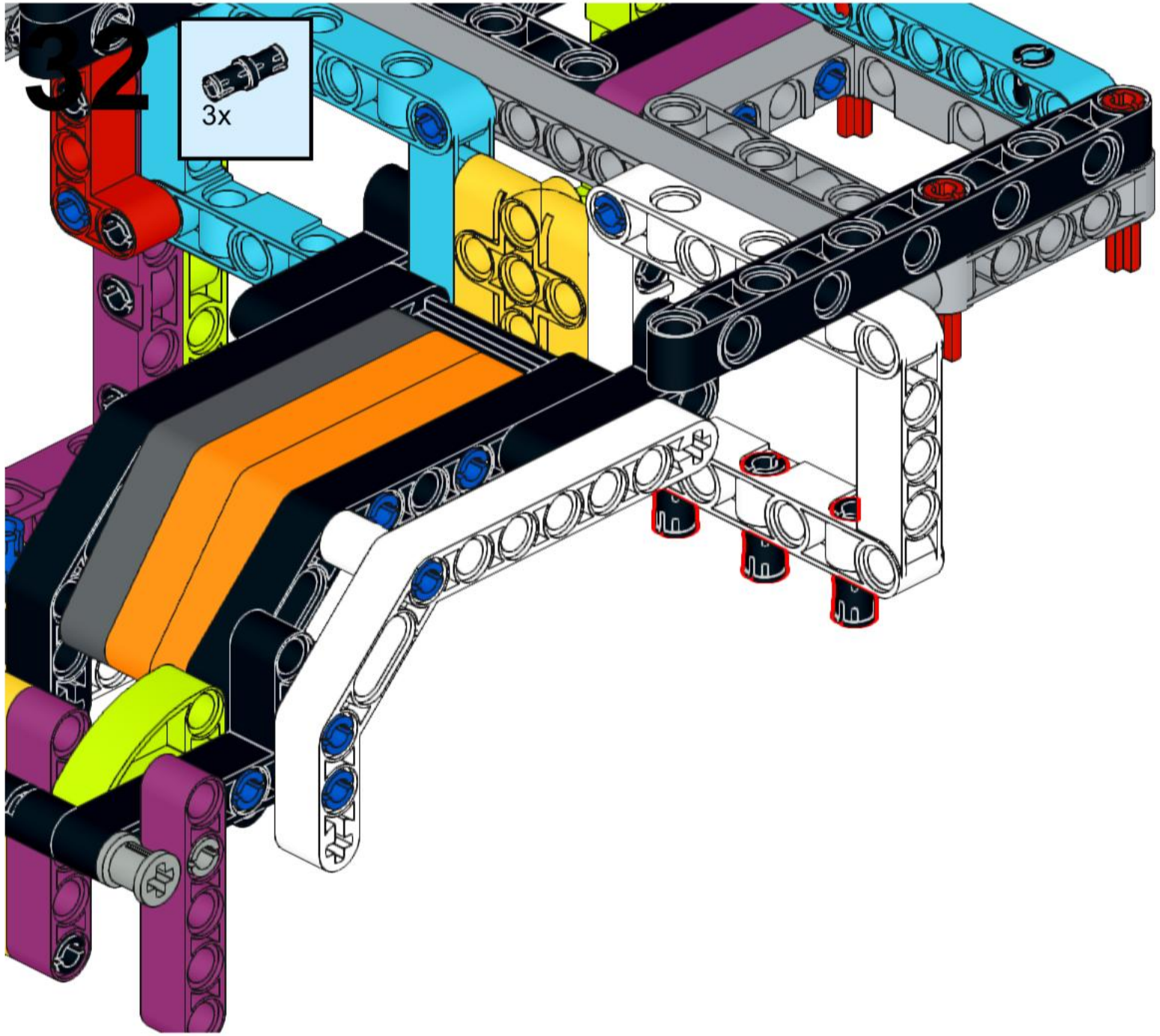


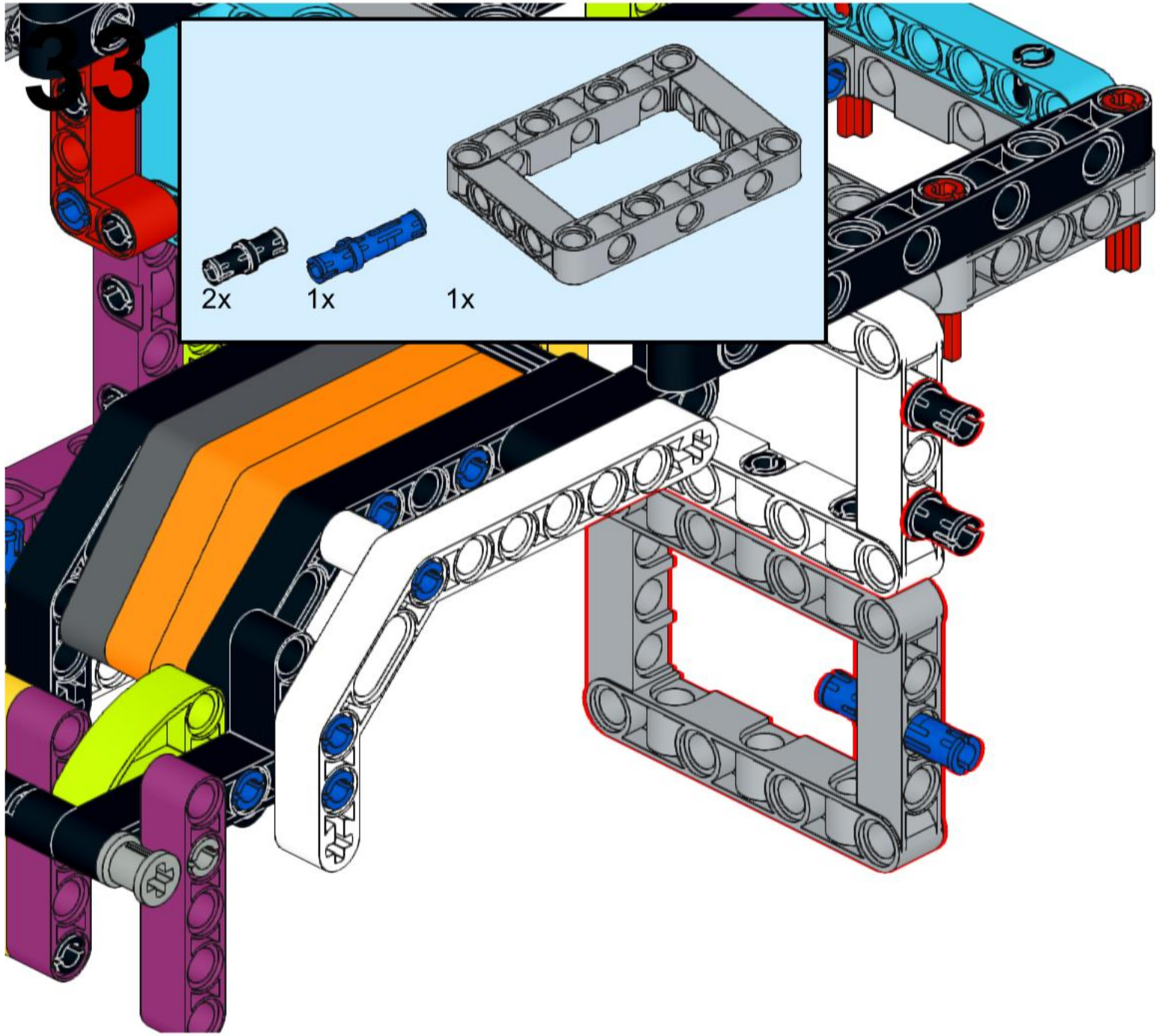
30



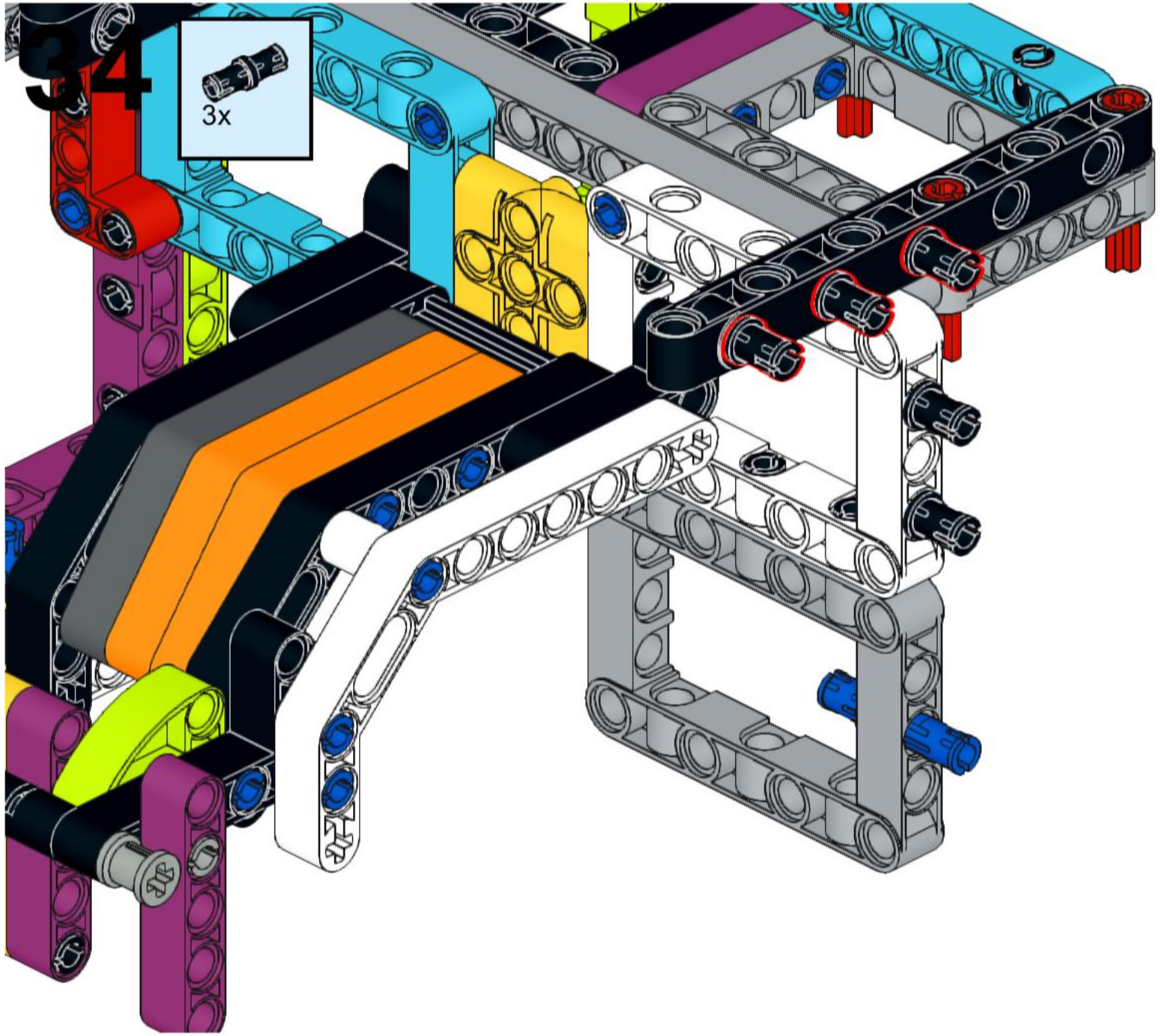
31

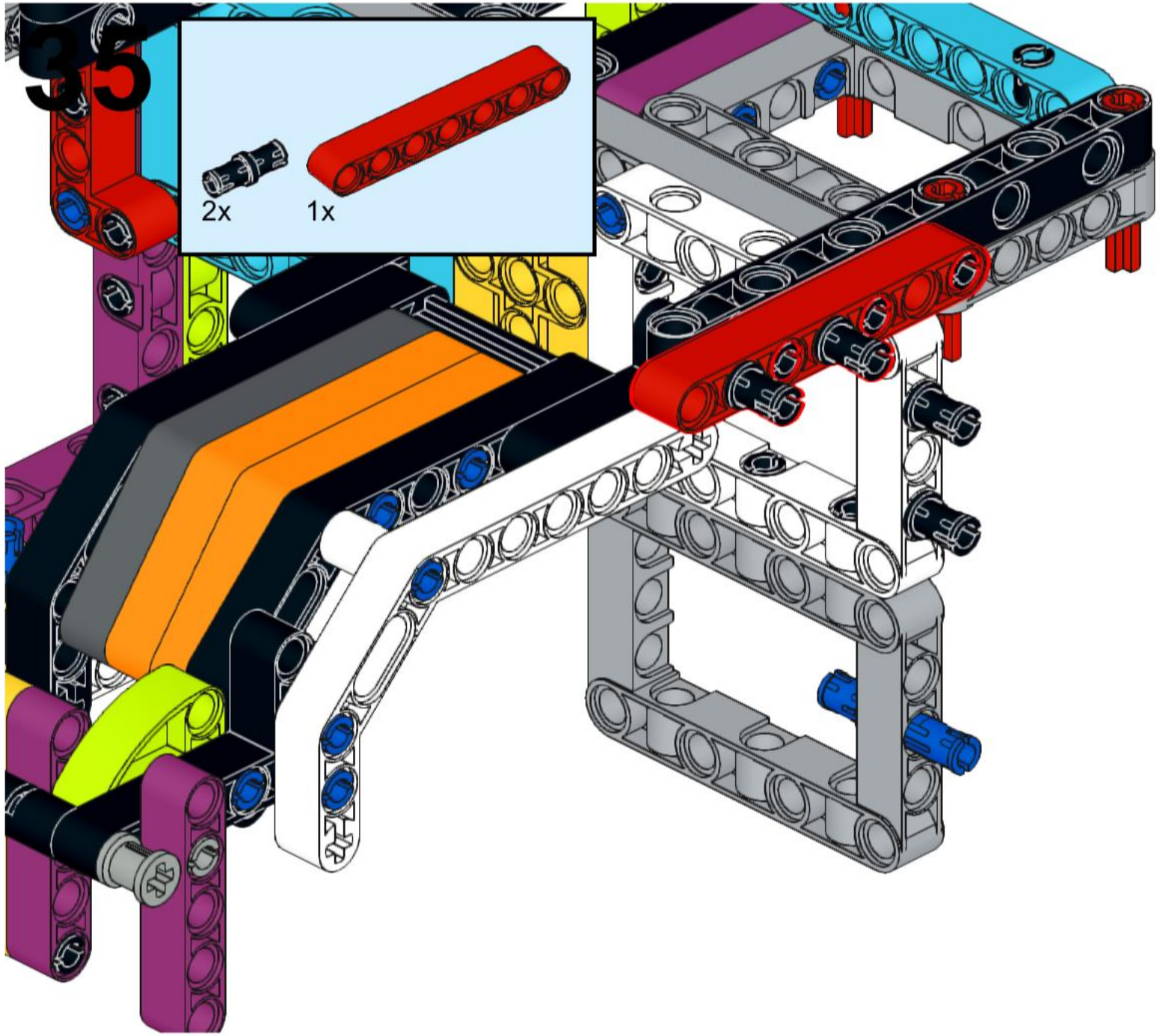




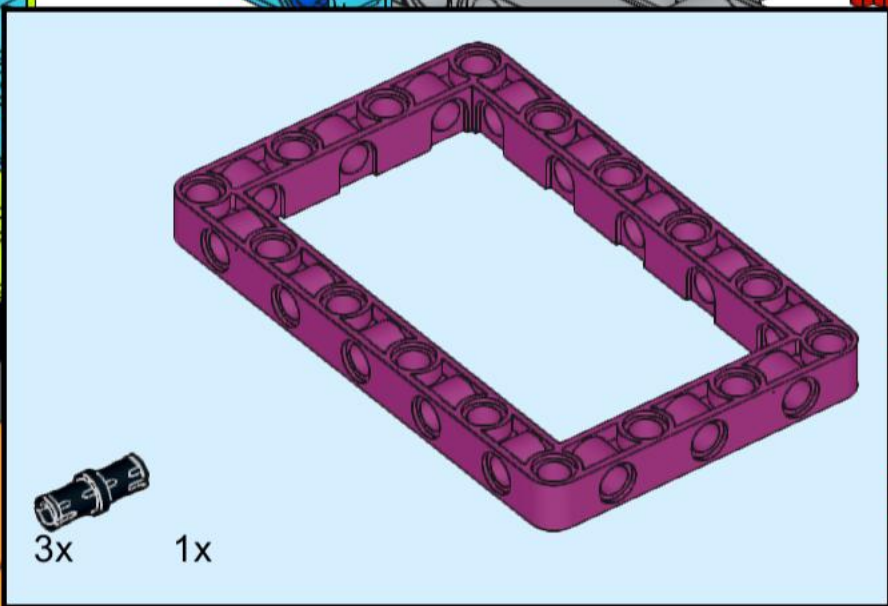


2x 1x 1x



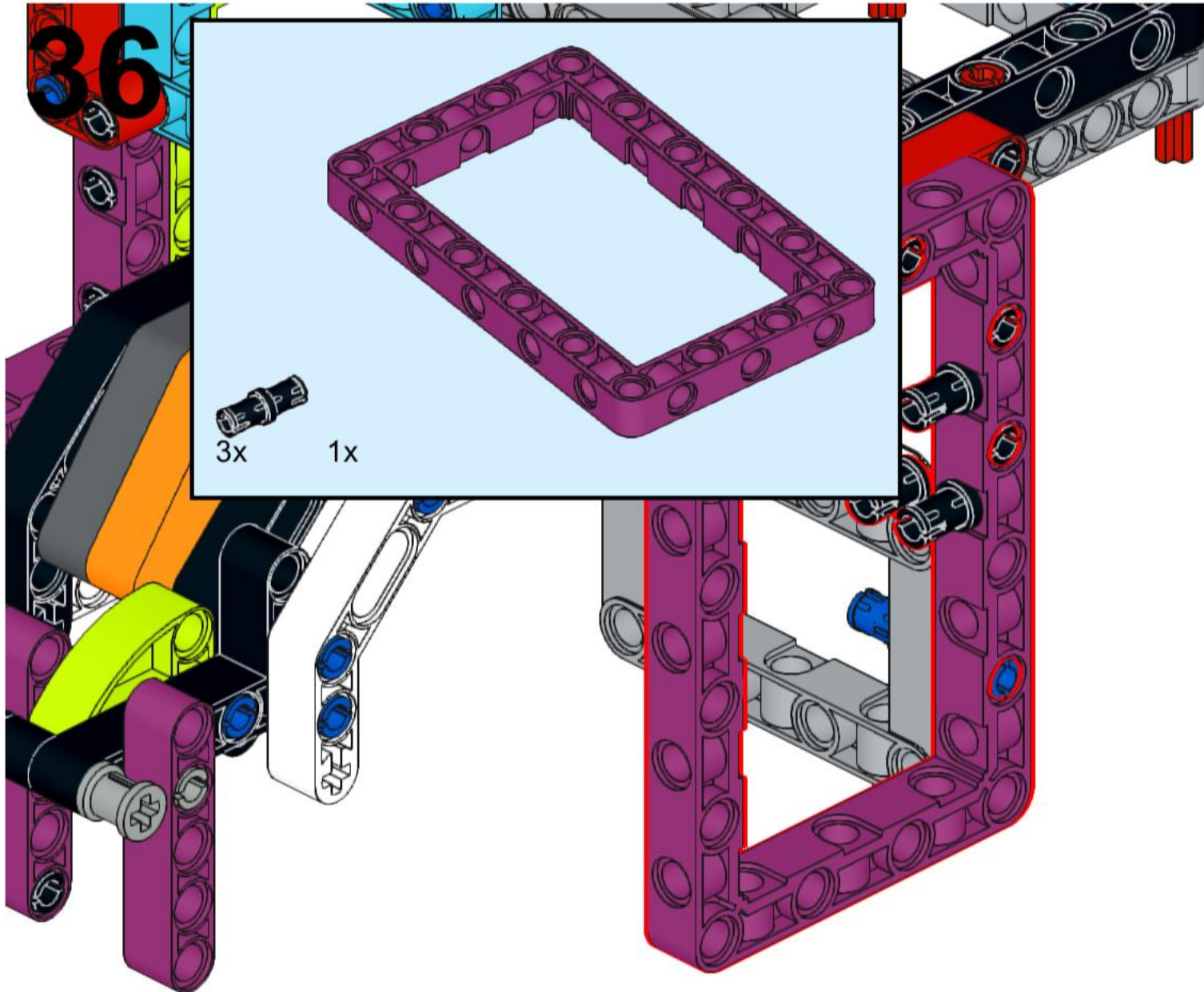


36

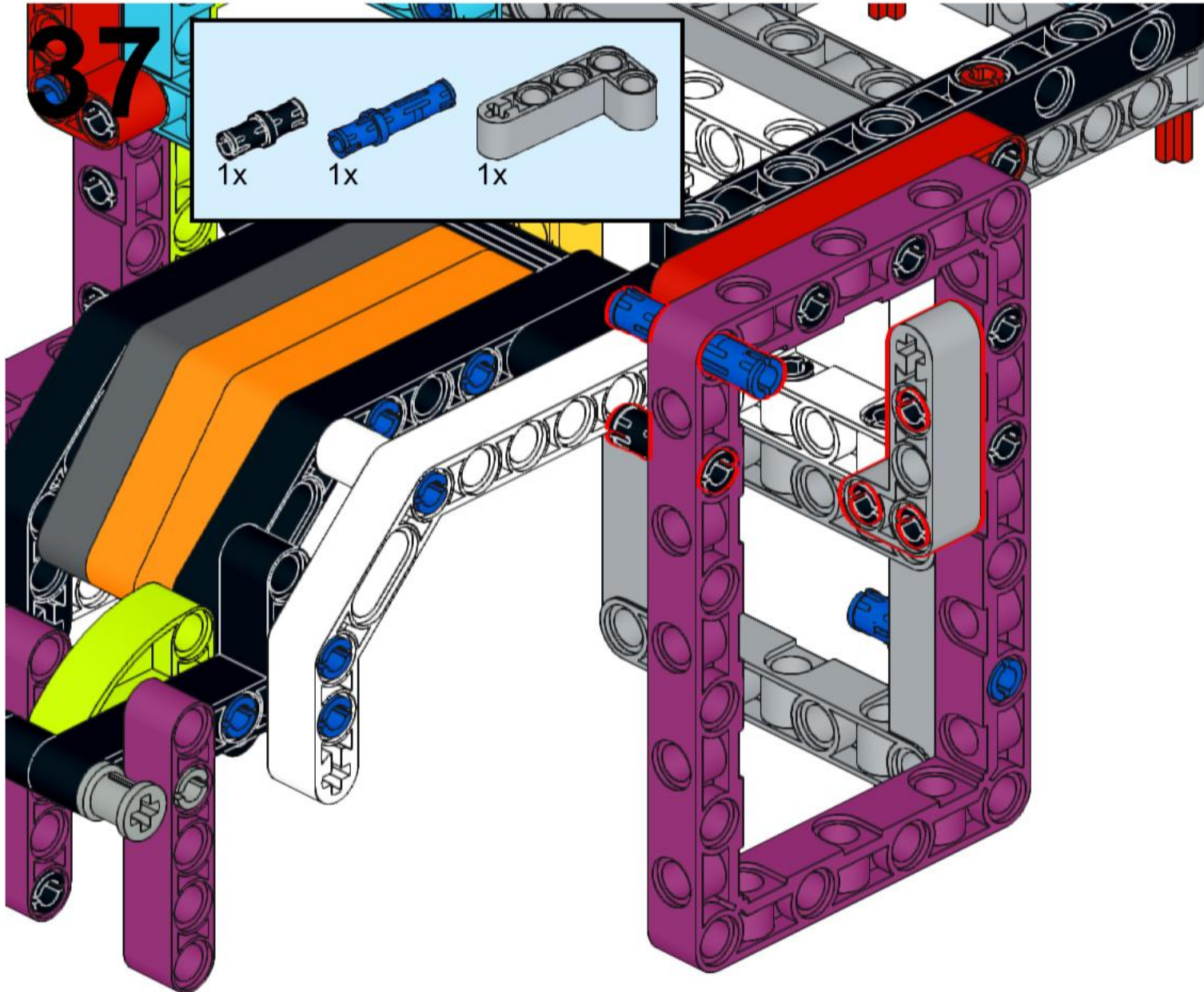
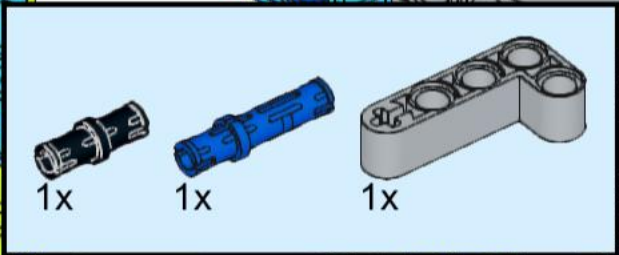


3x

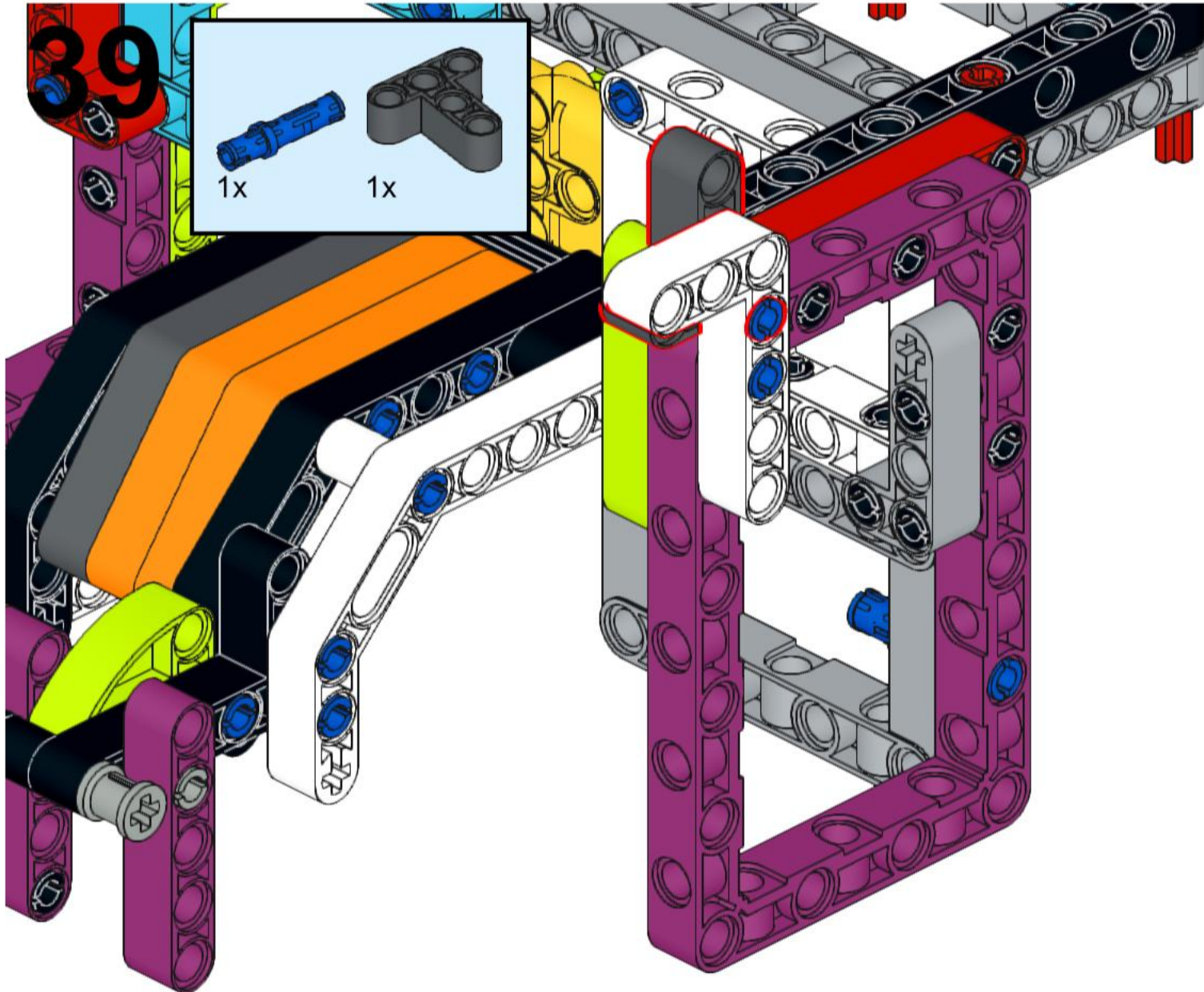
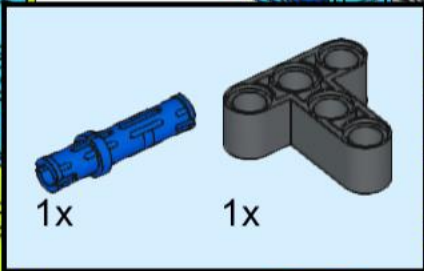
1x



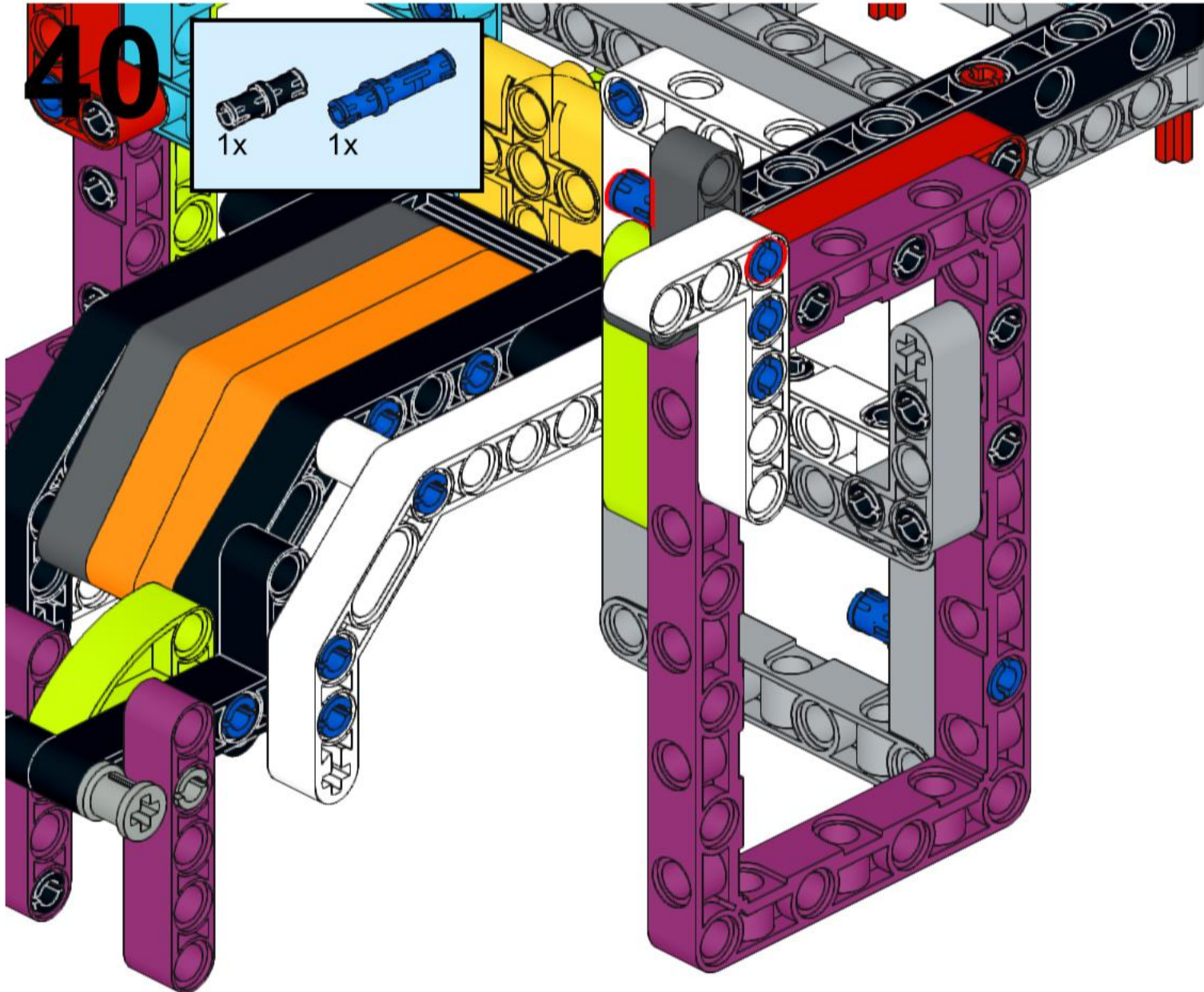
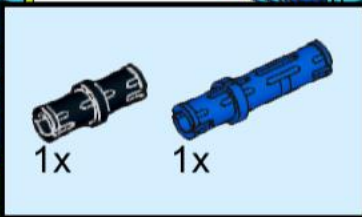
37



39



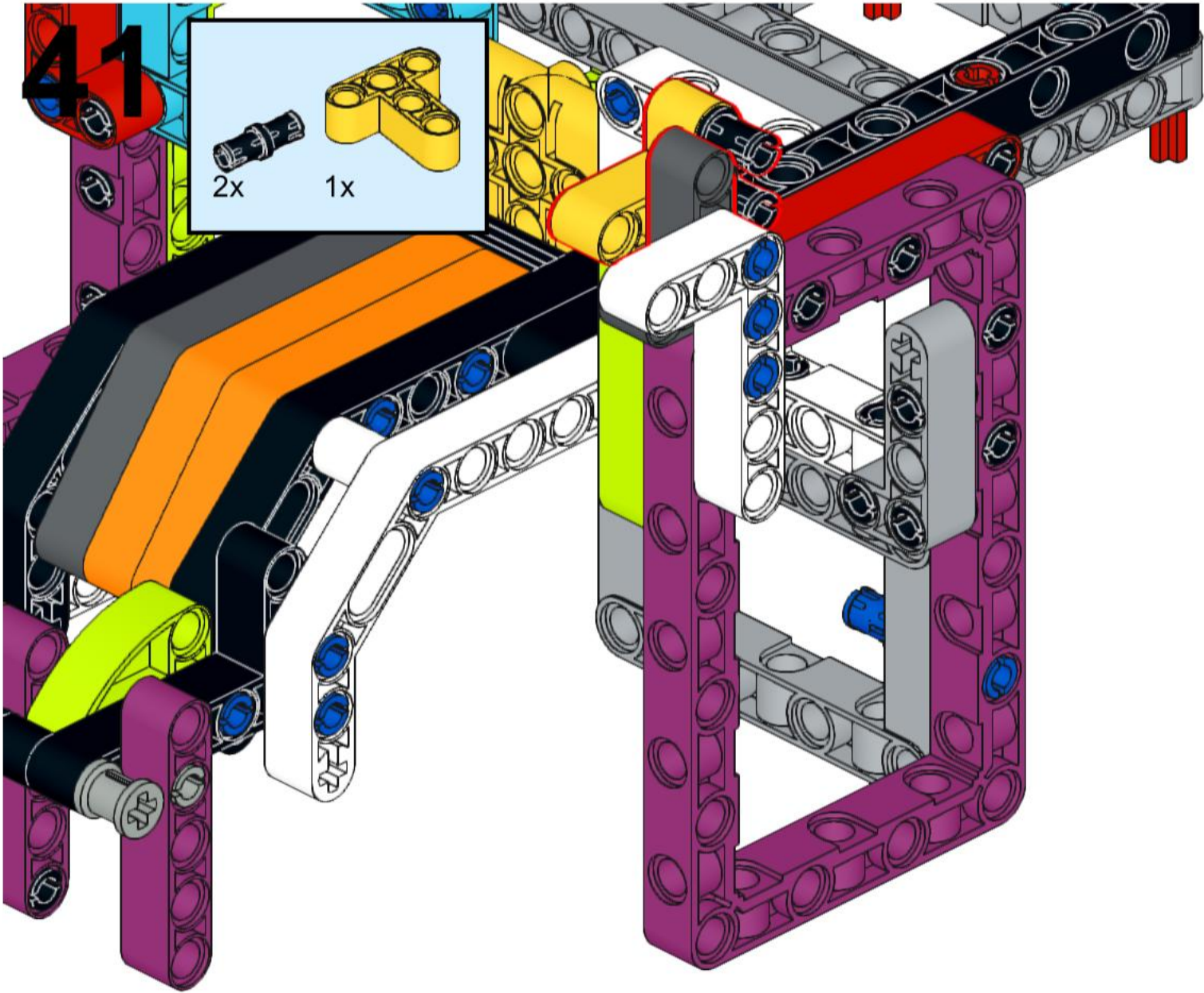
40



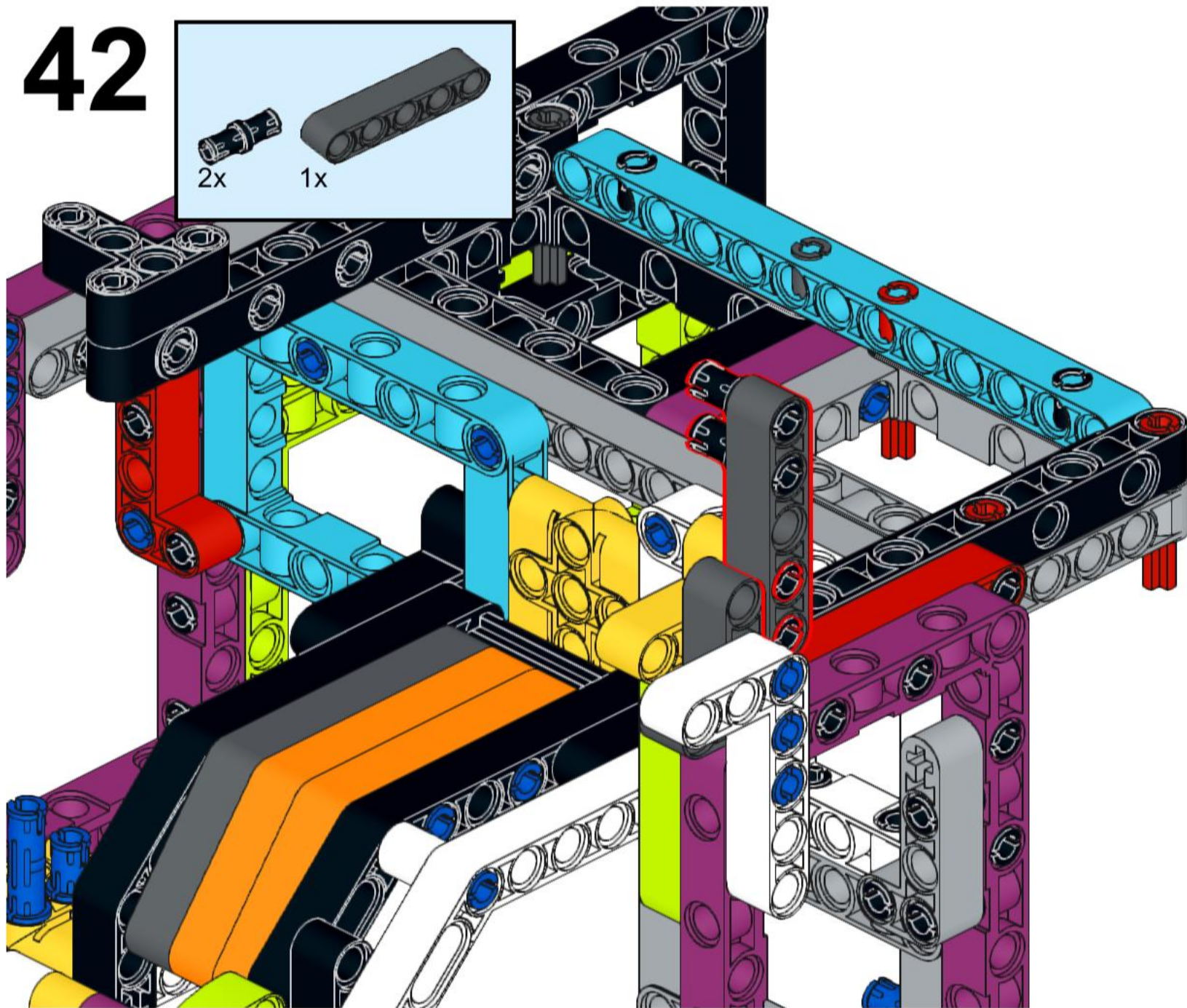
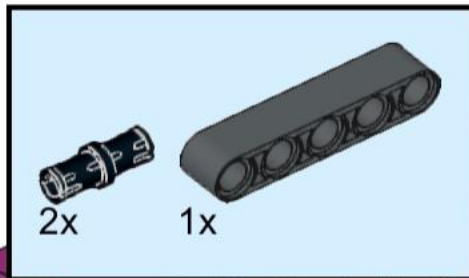
41

2x
1x

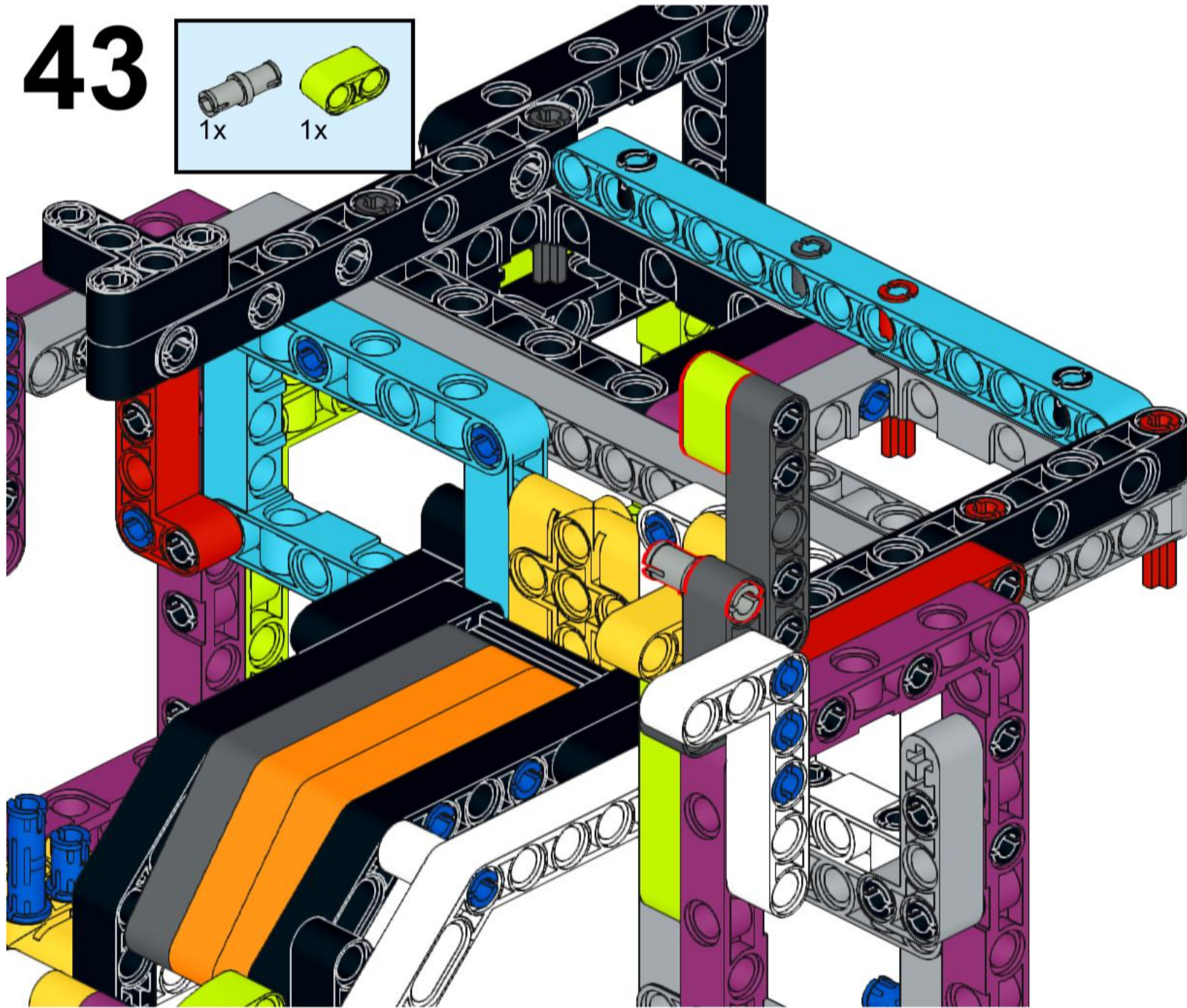
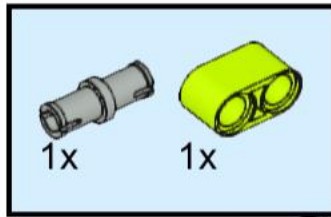
This inset box shows the parts required for step 41: two black pins and one yellow 1x3 Technic brick with a hole.



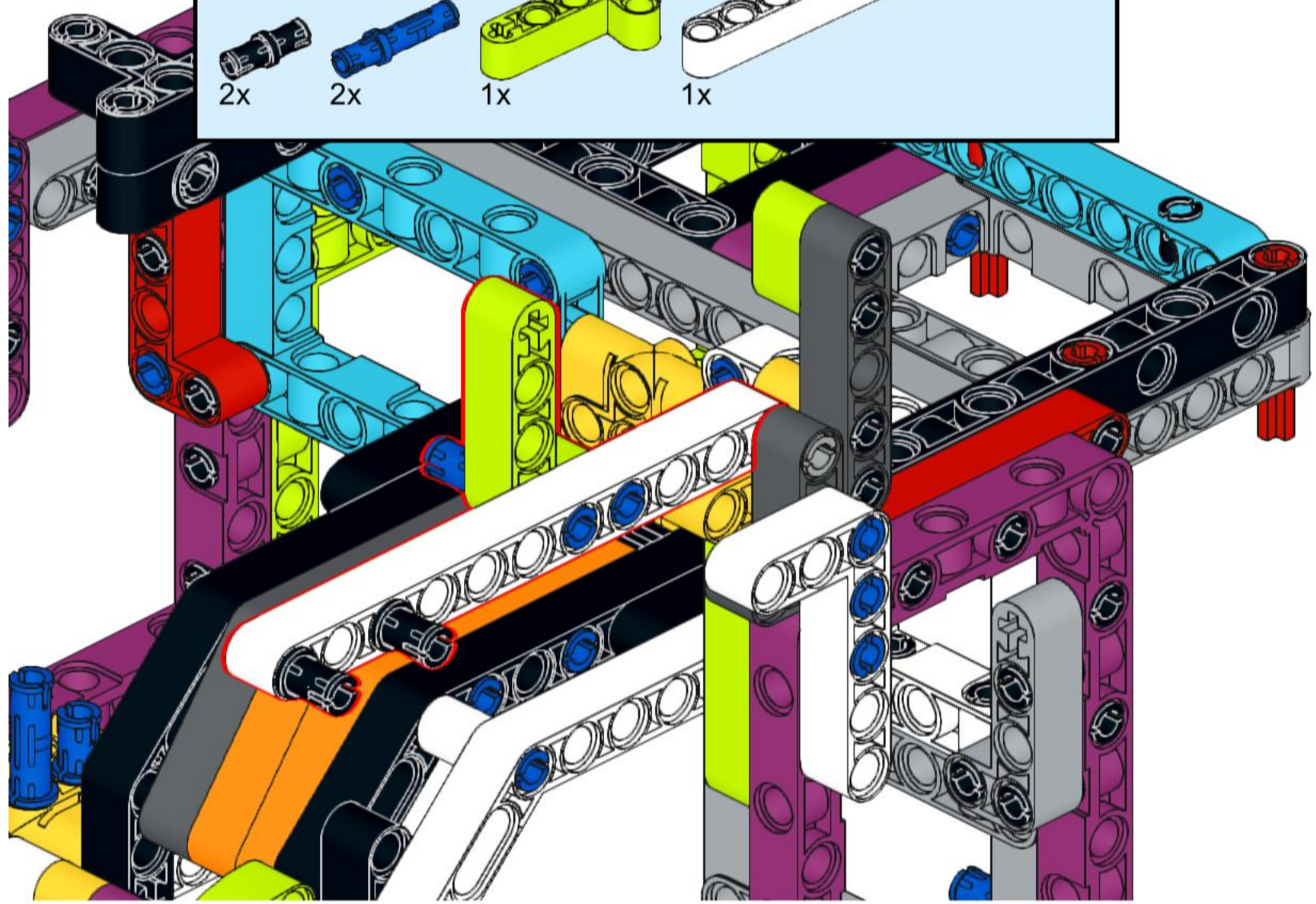
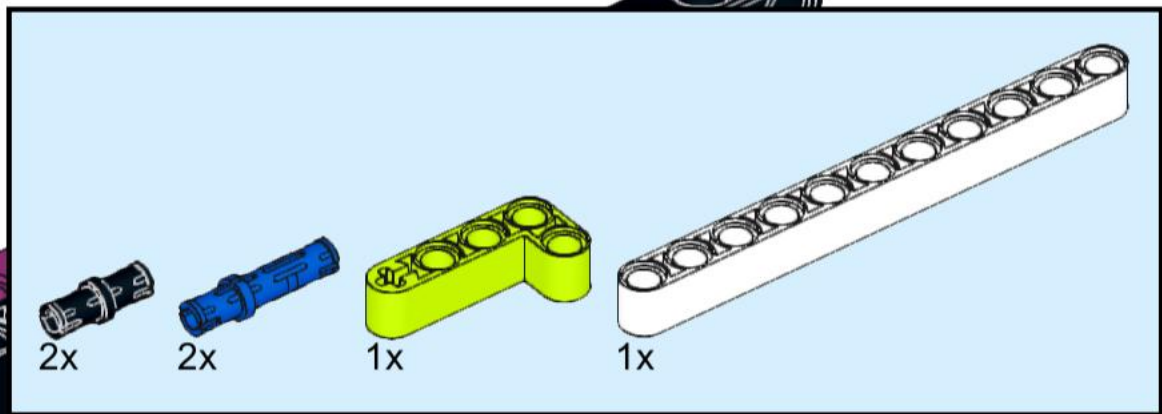
42



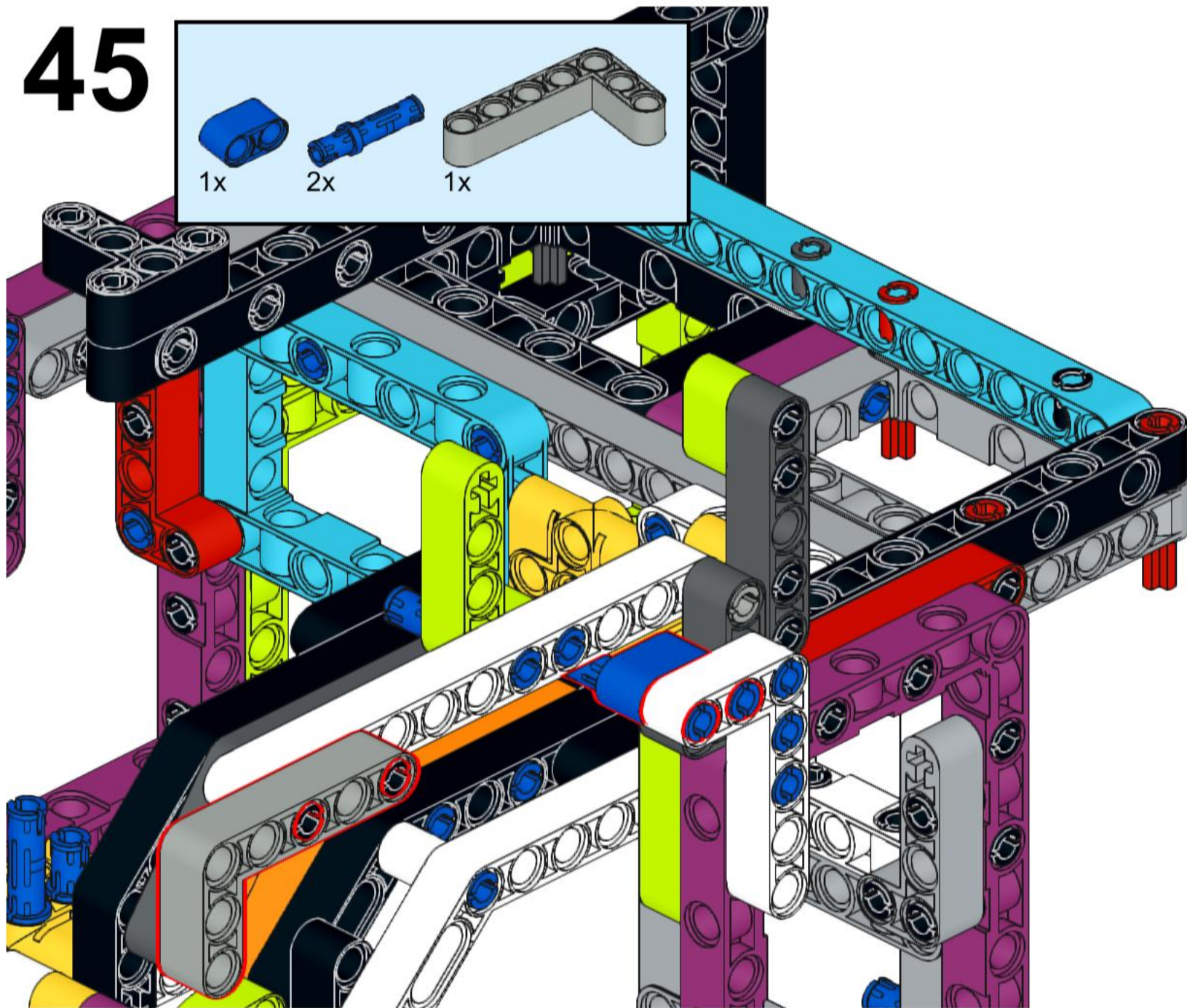
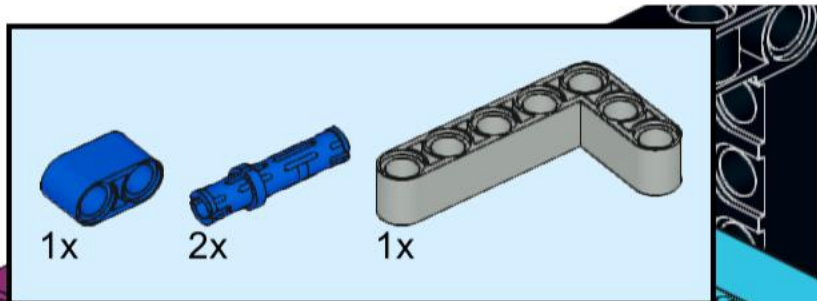
43



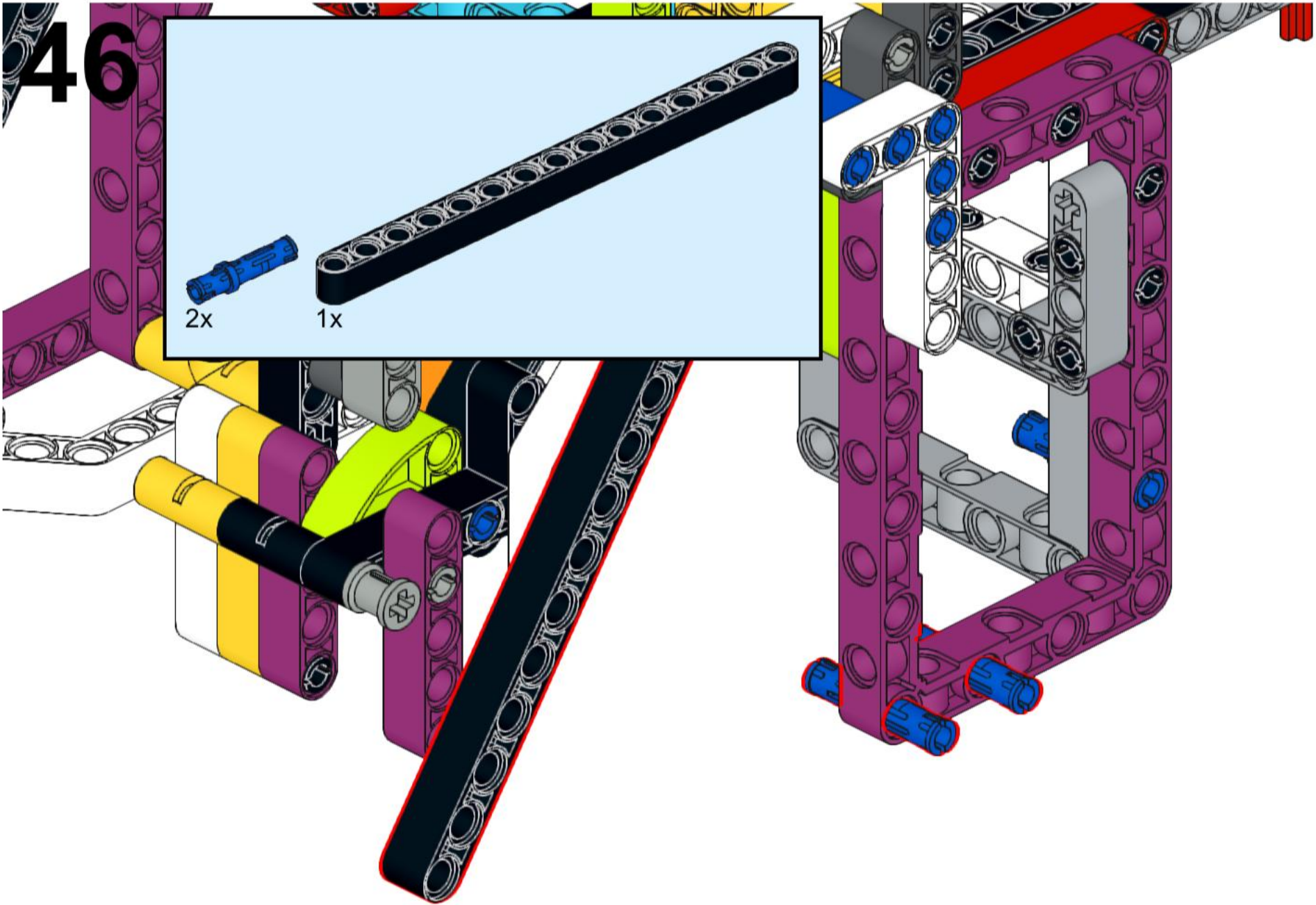
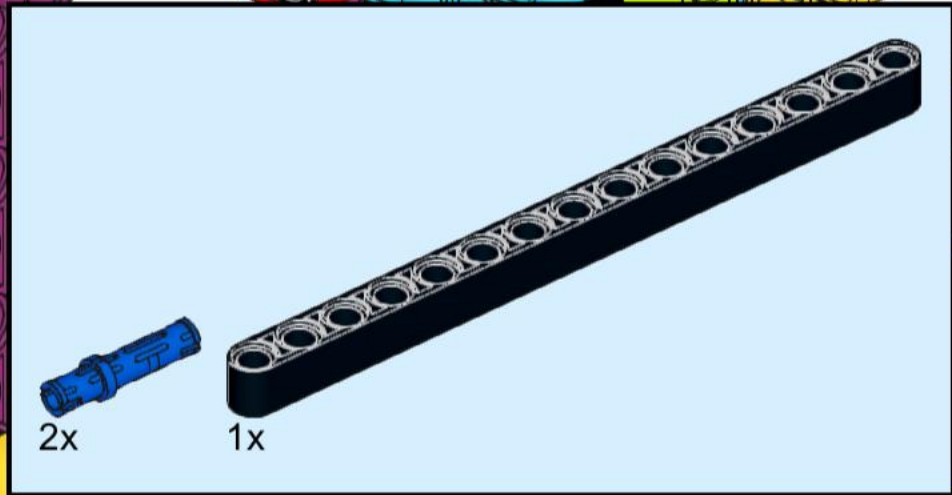
44



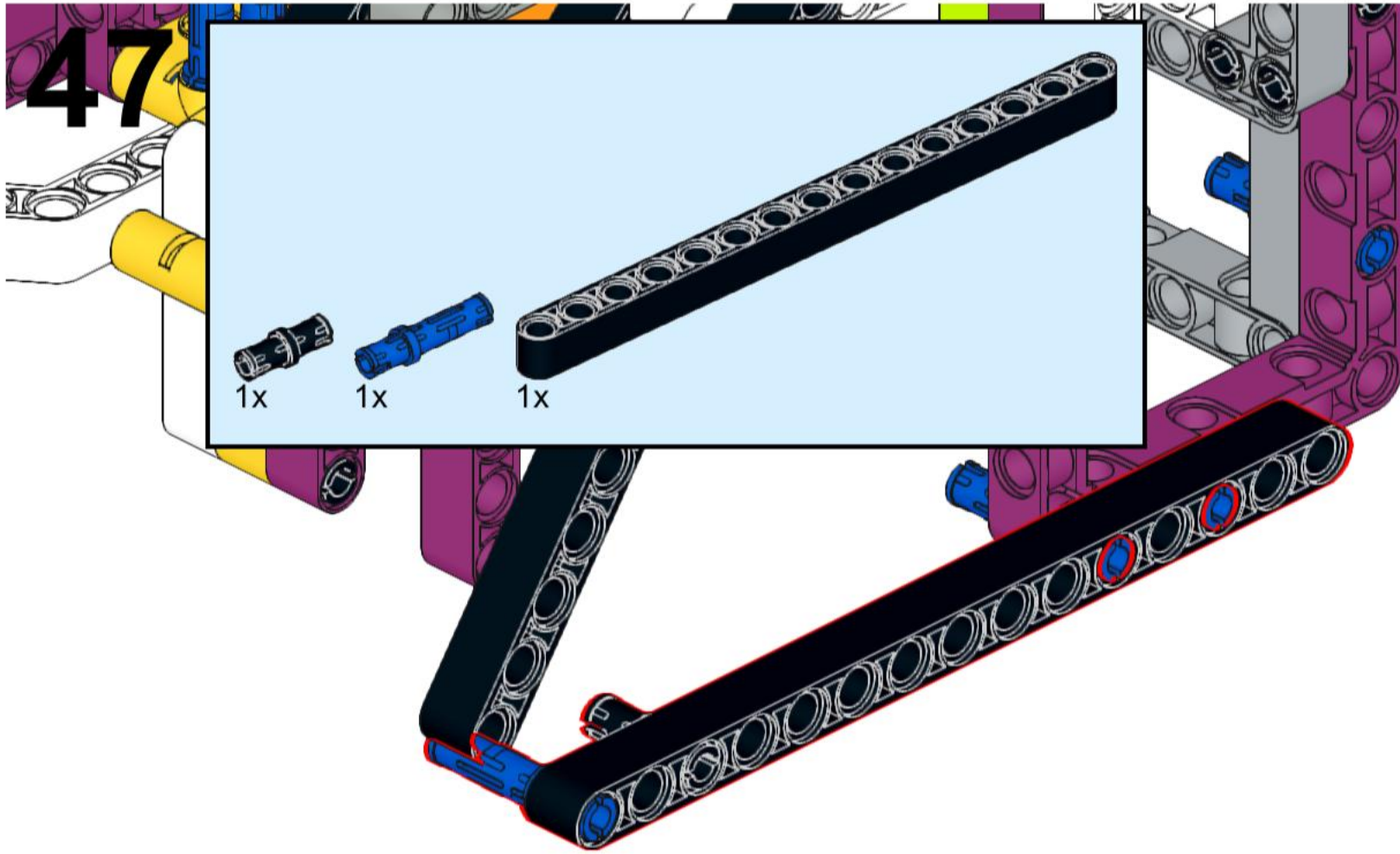
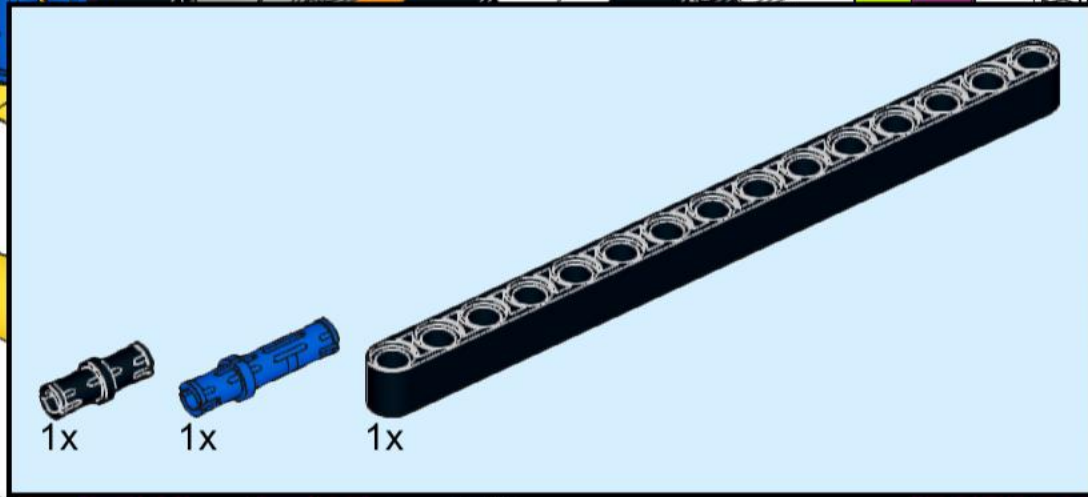
45

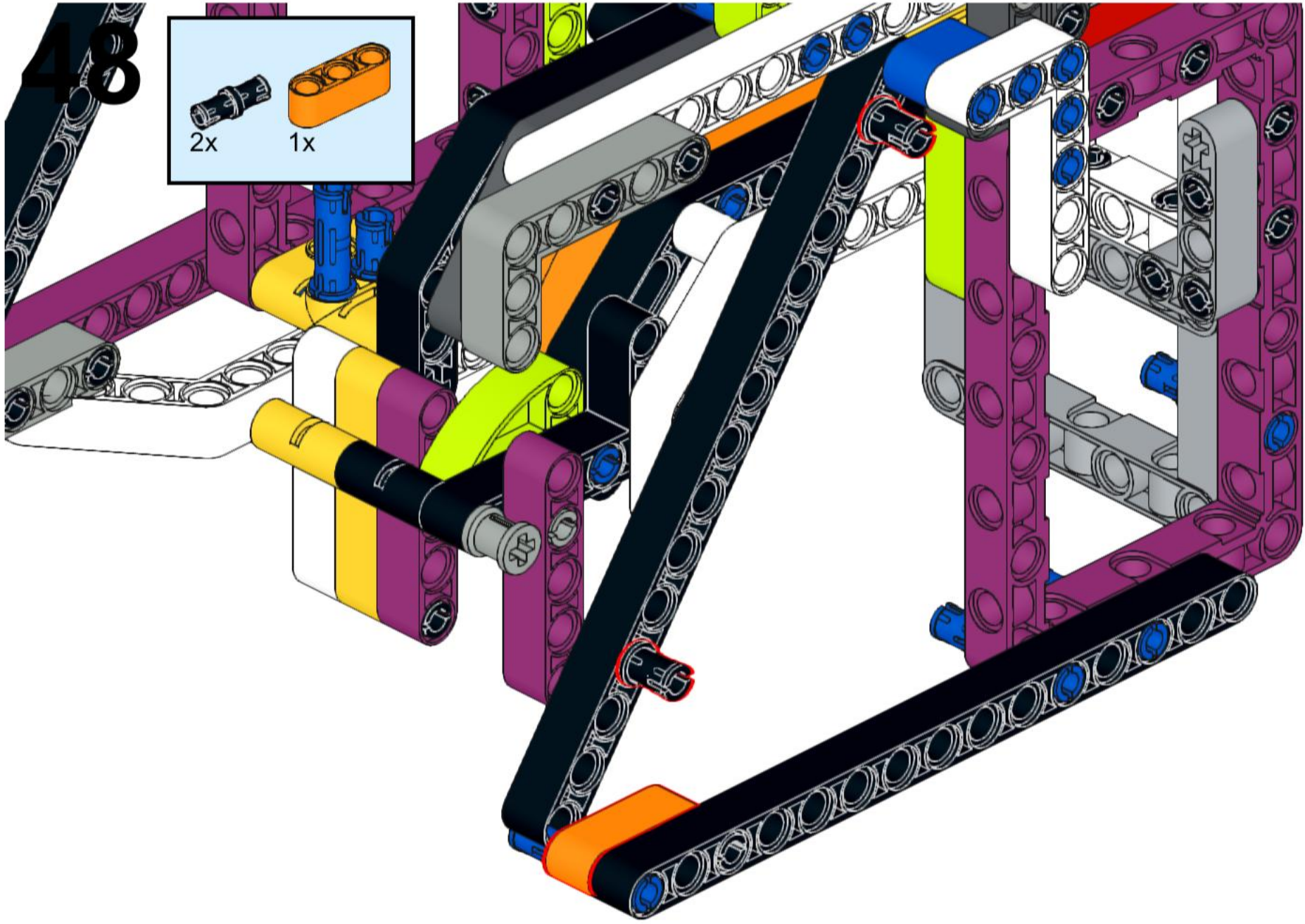


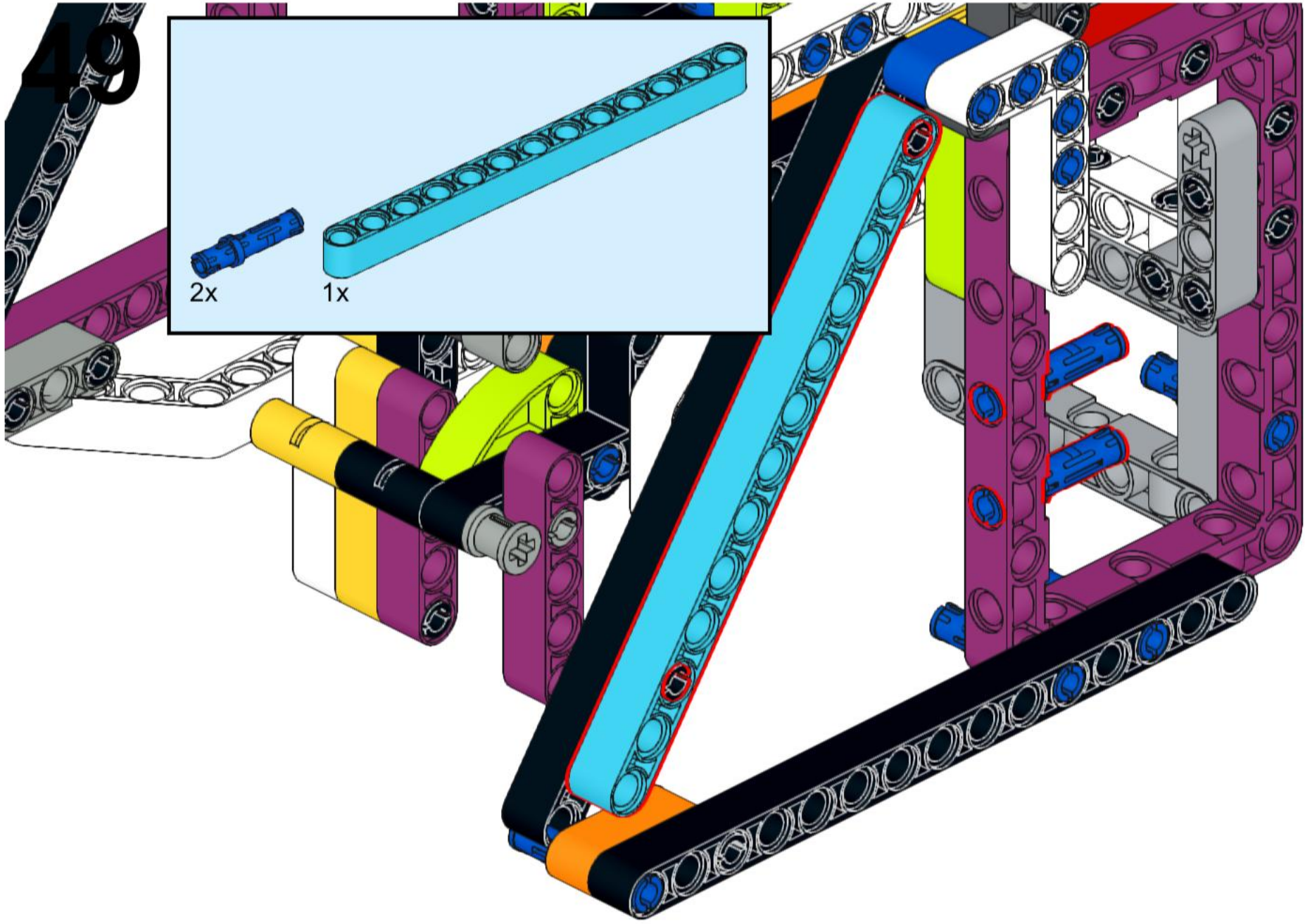
46

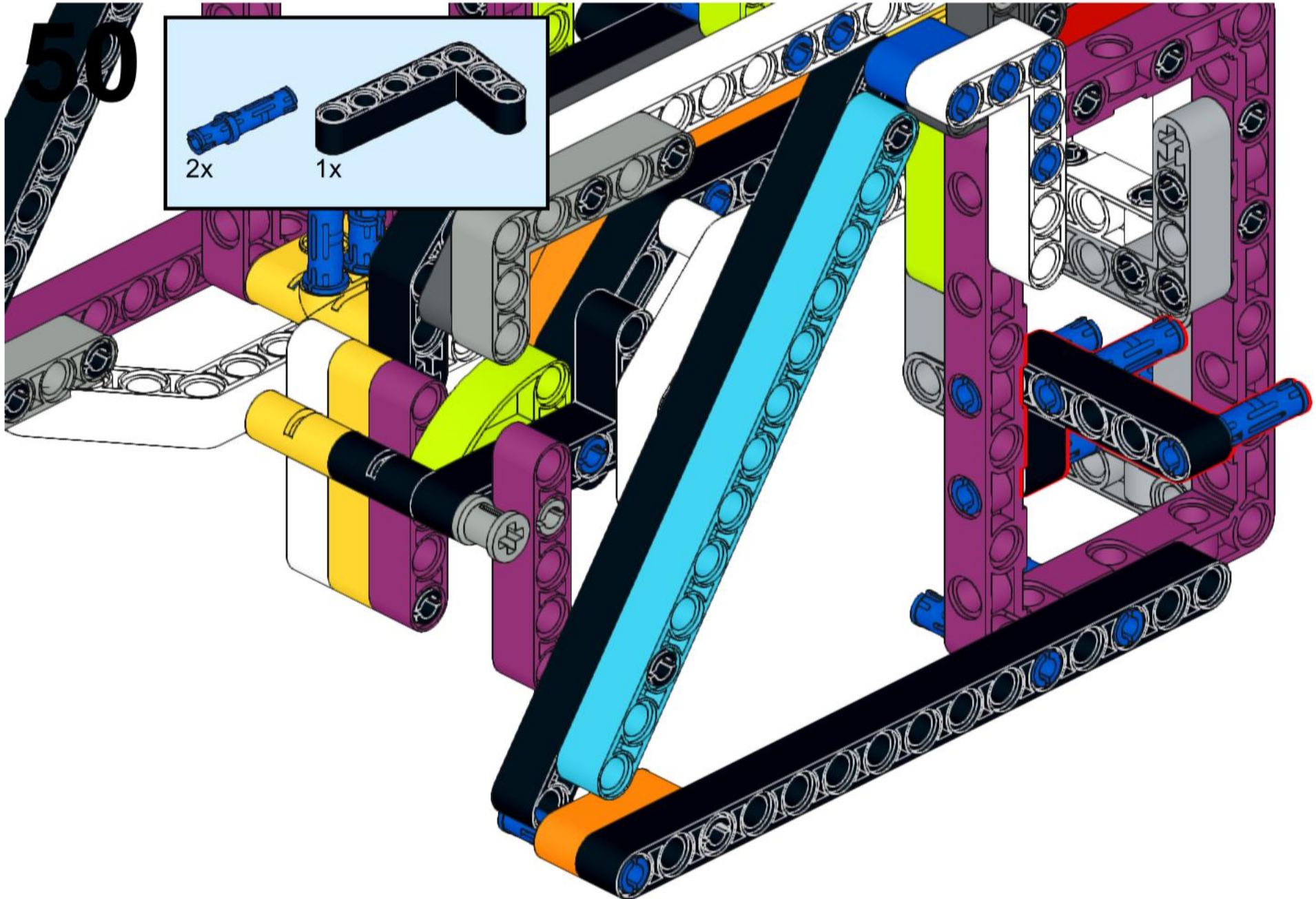


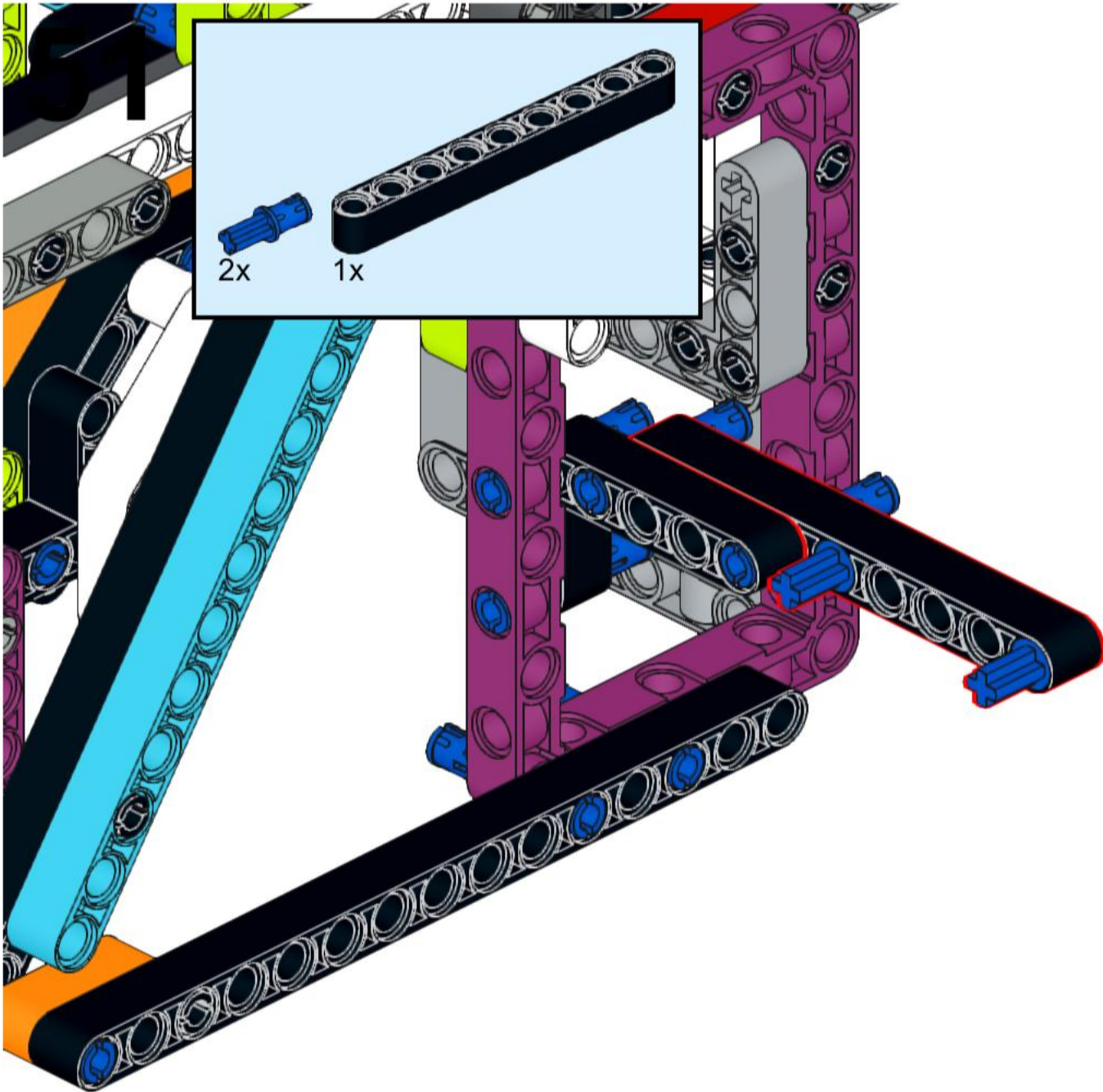
47

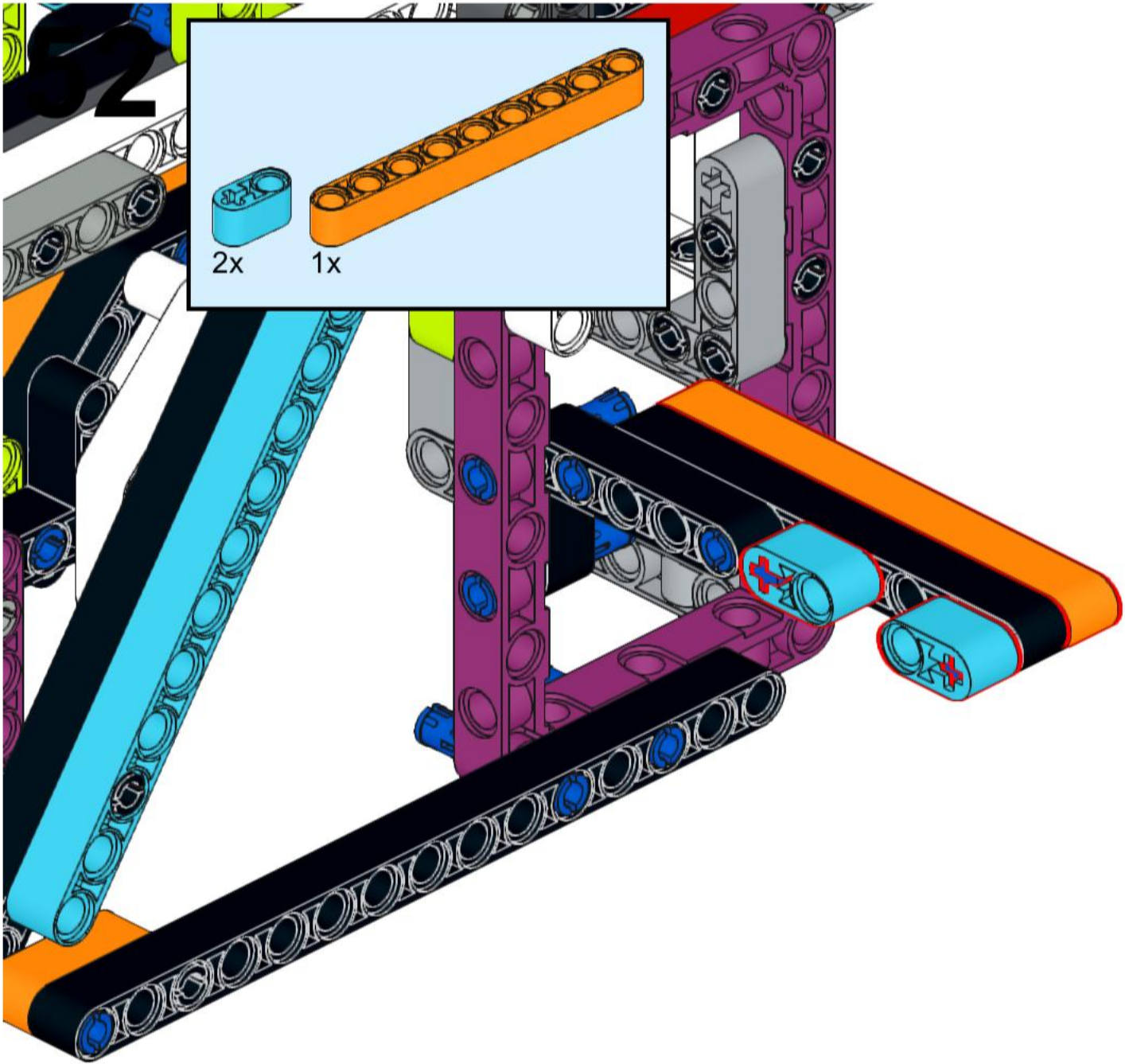


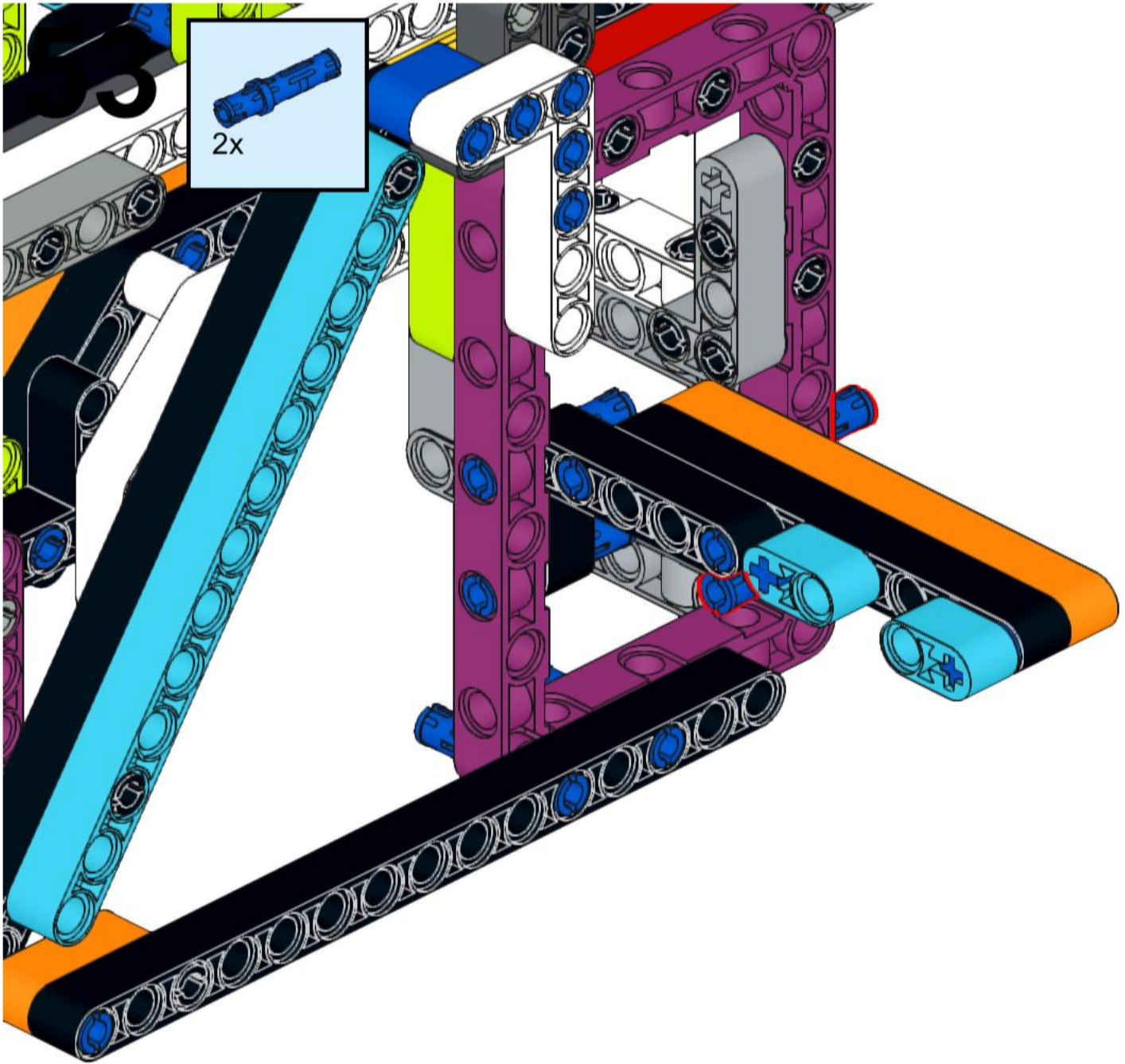


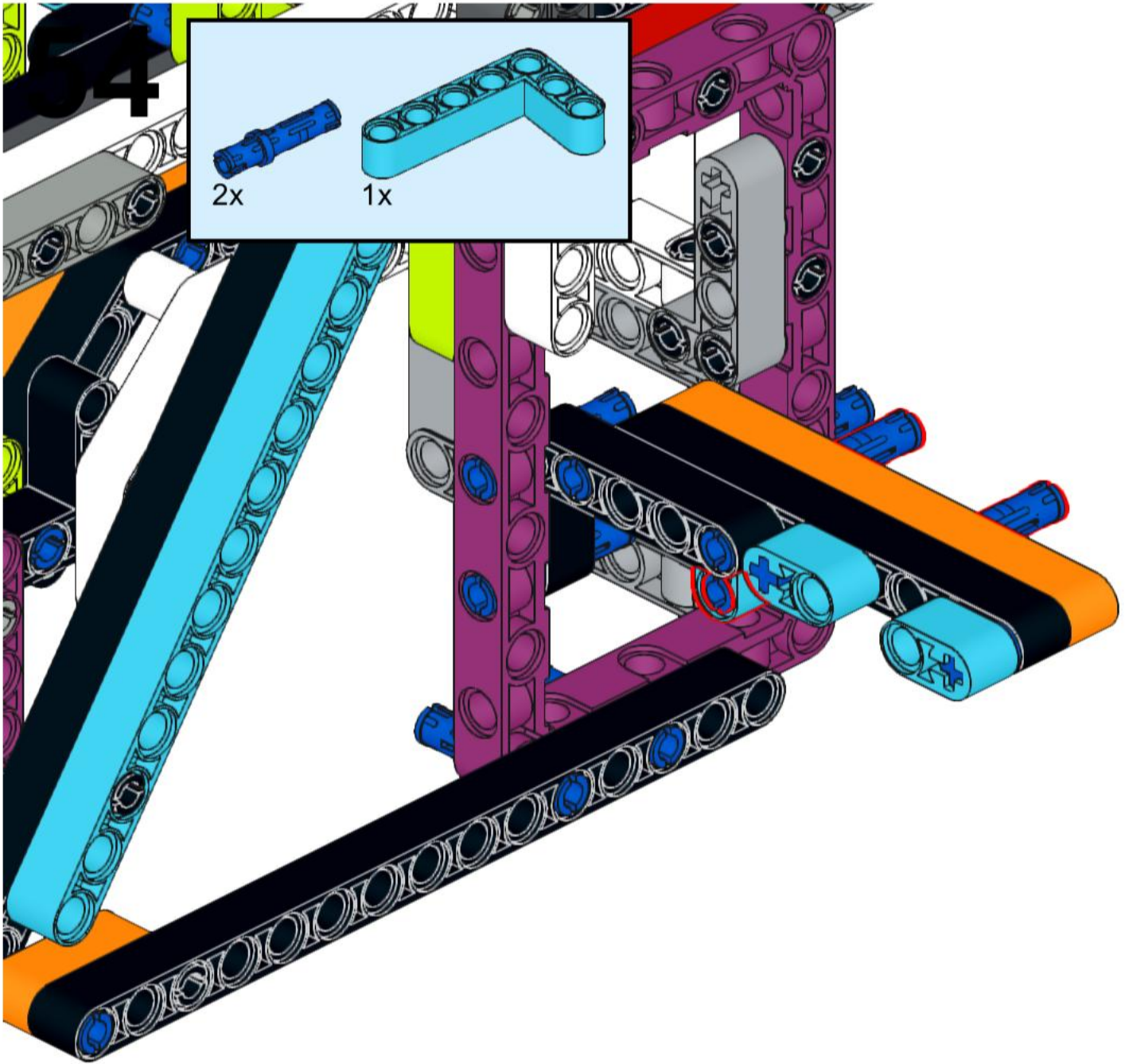


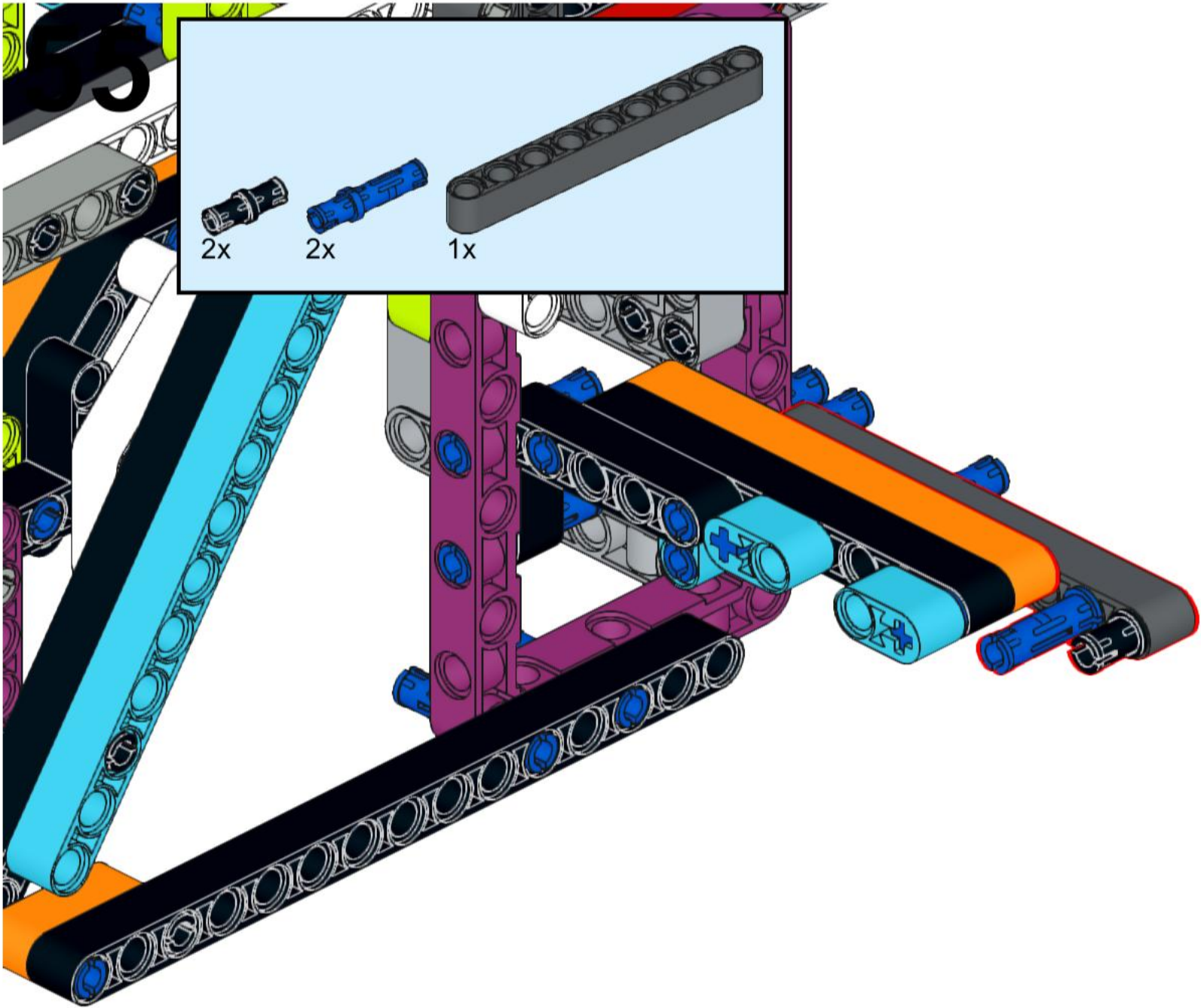


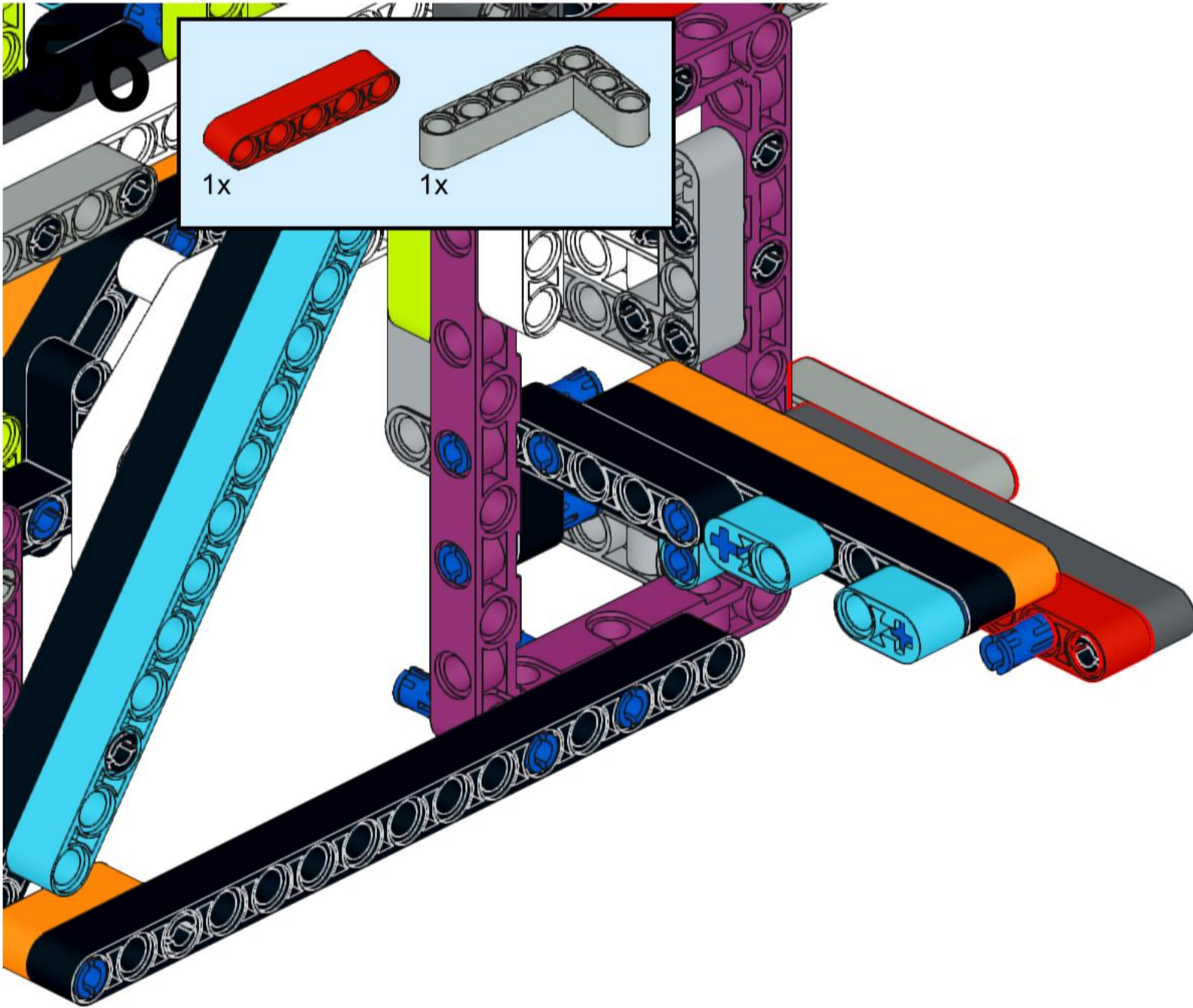






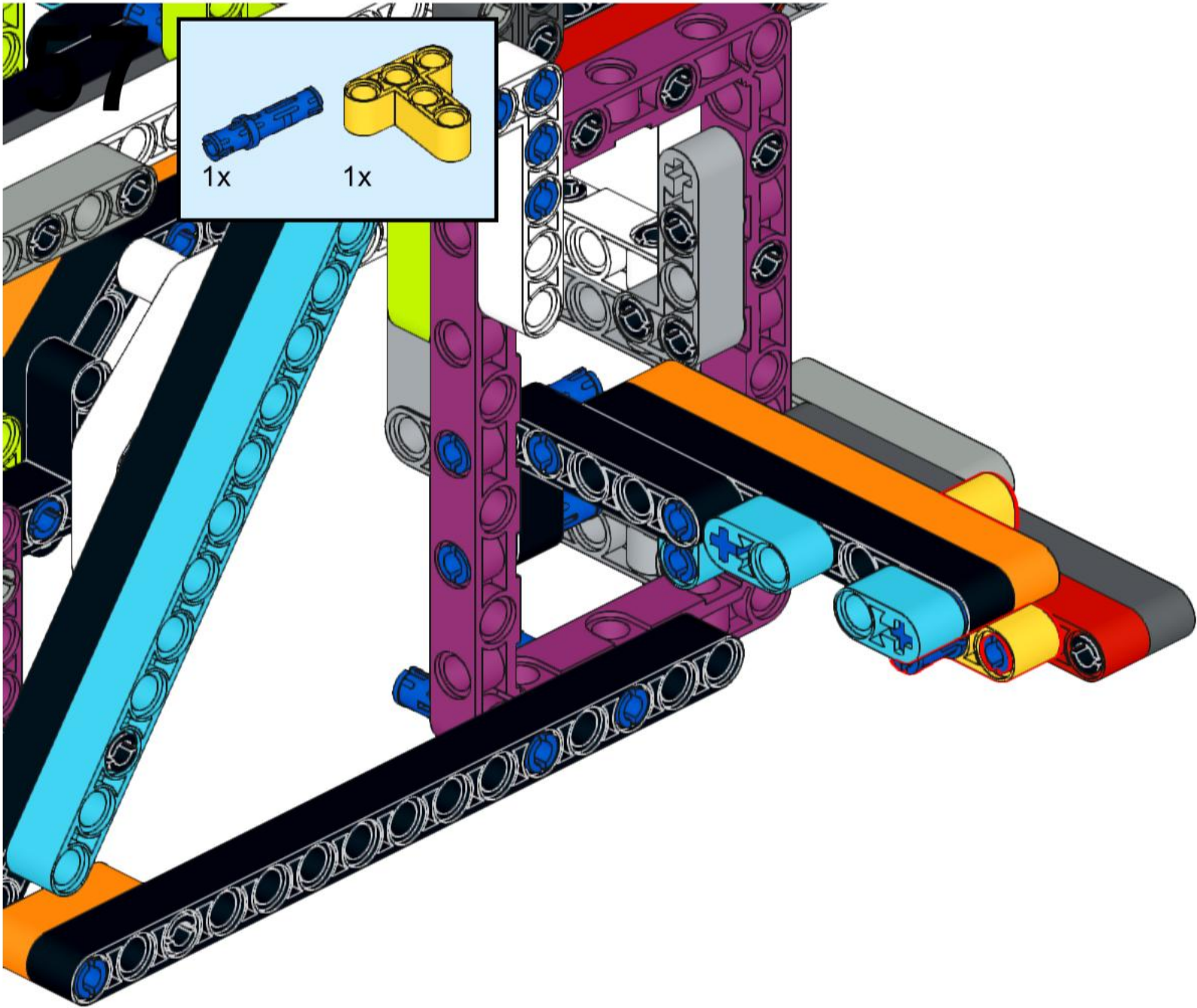


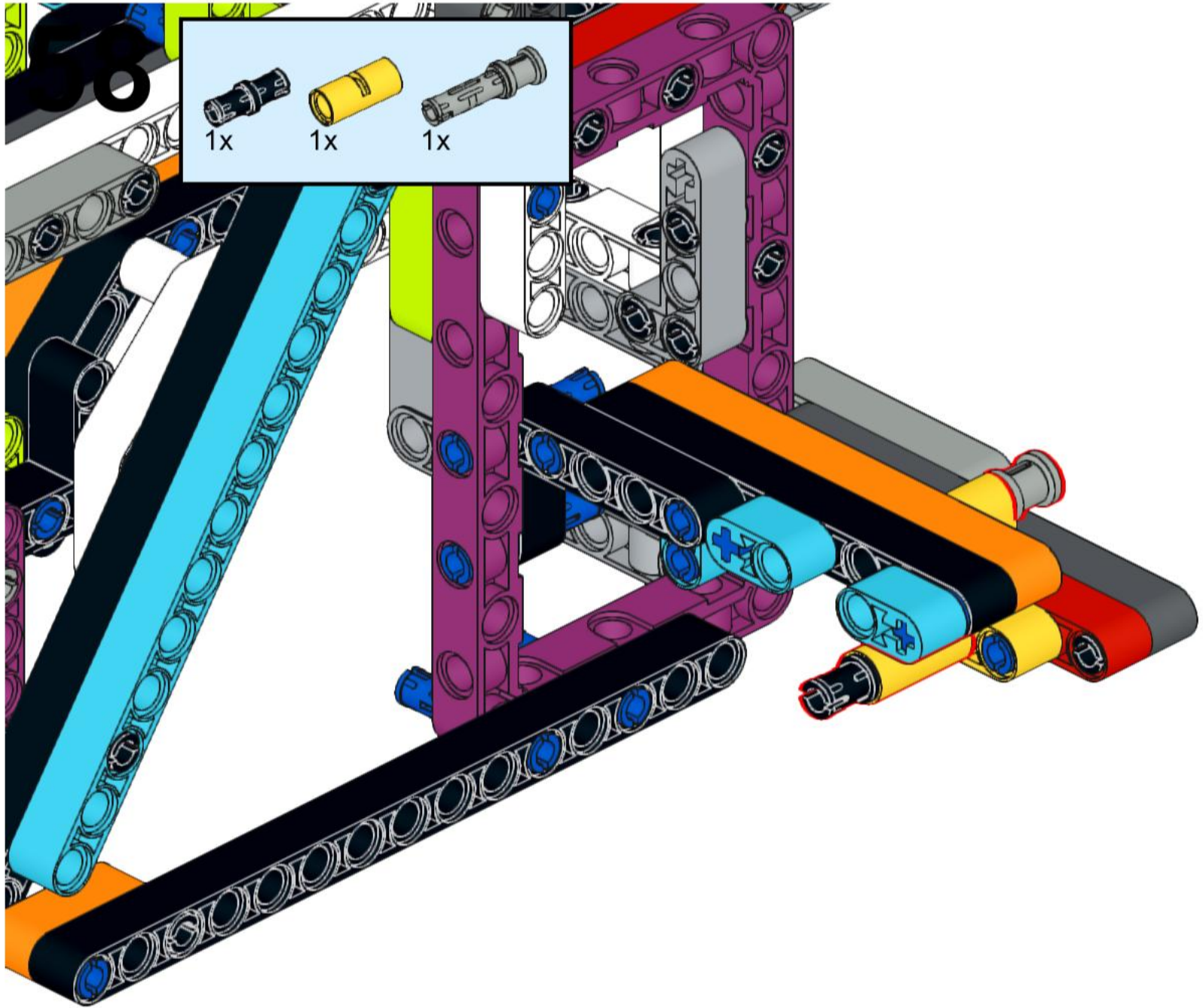




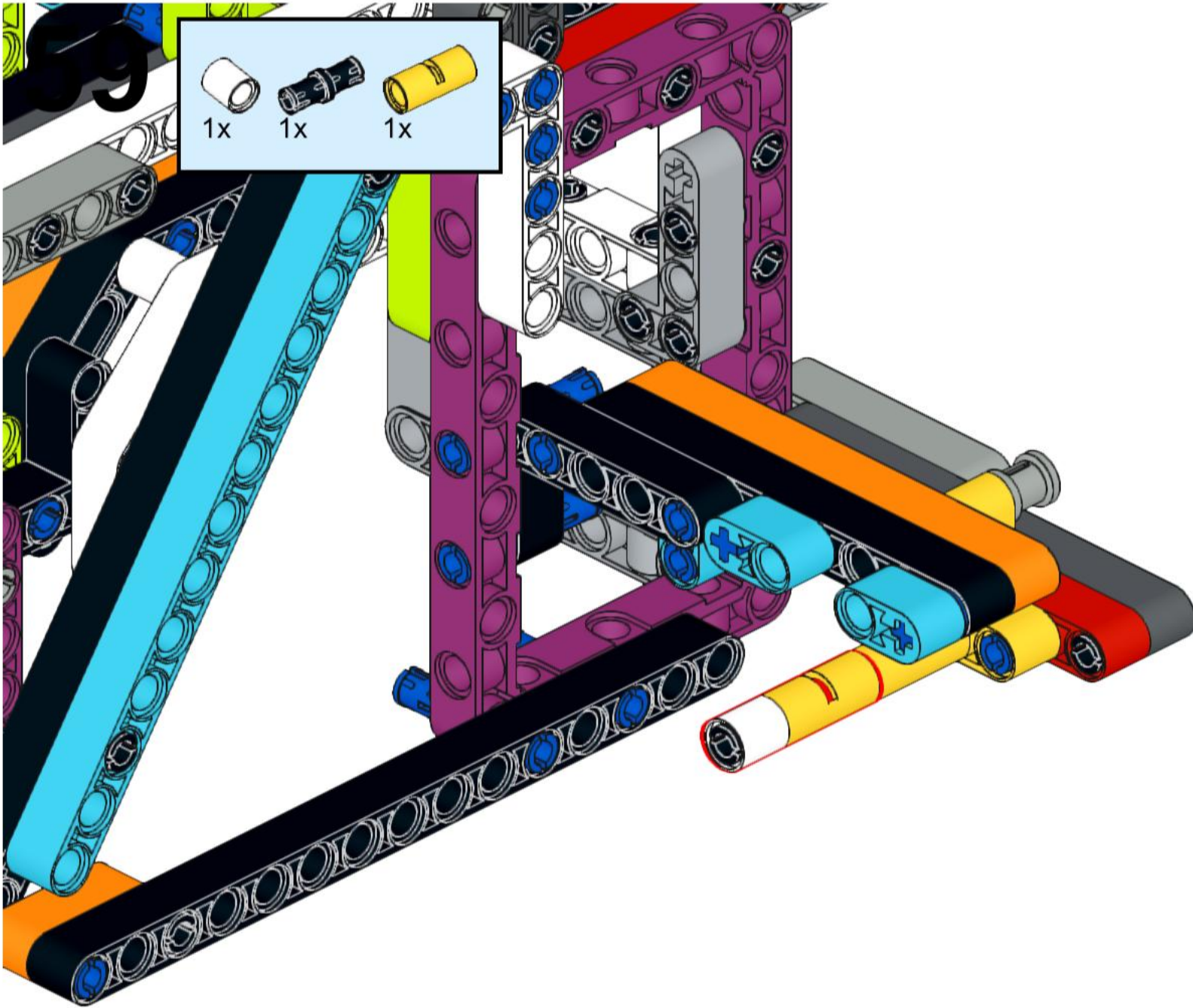
1x

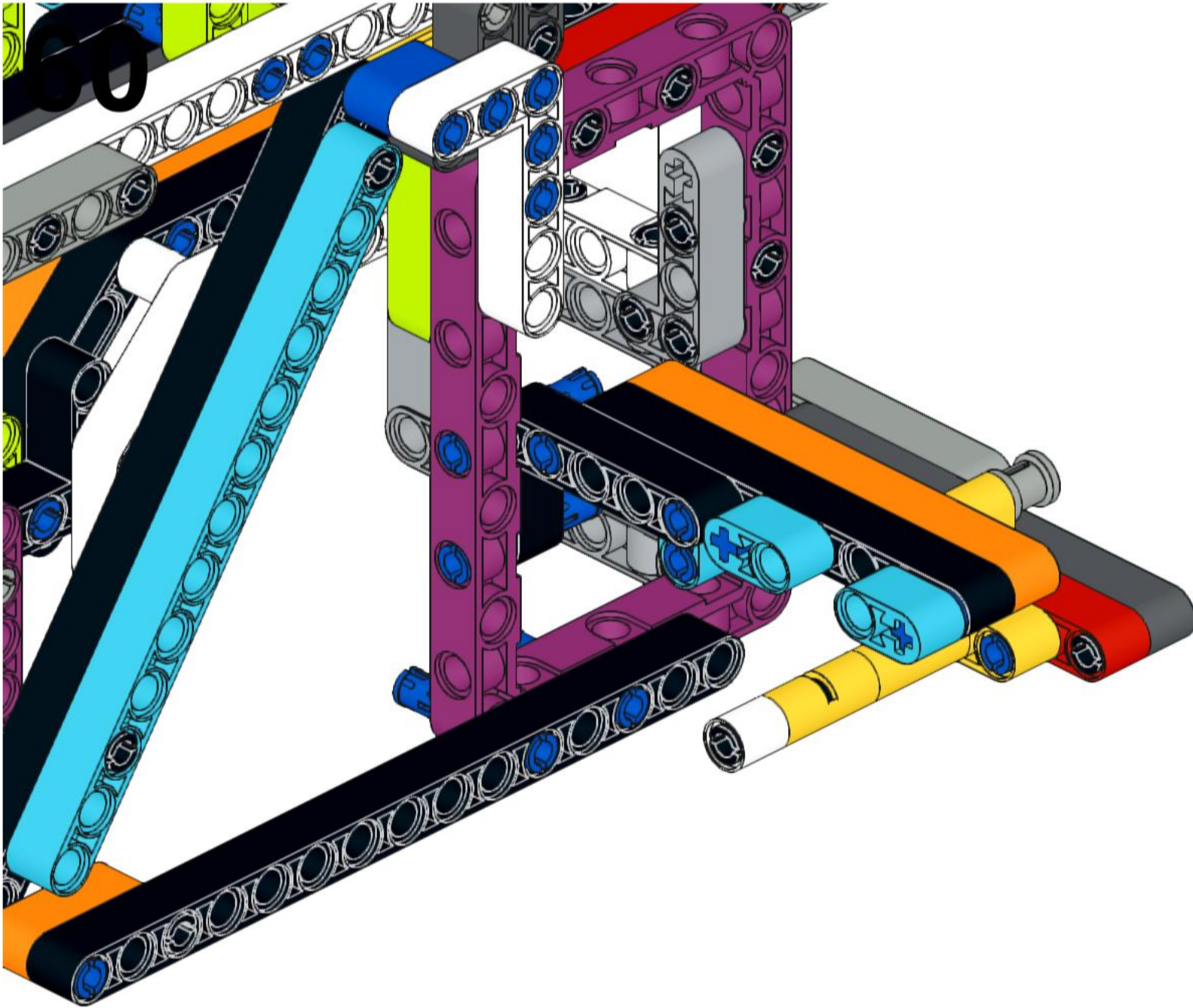
1x

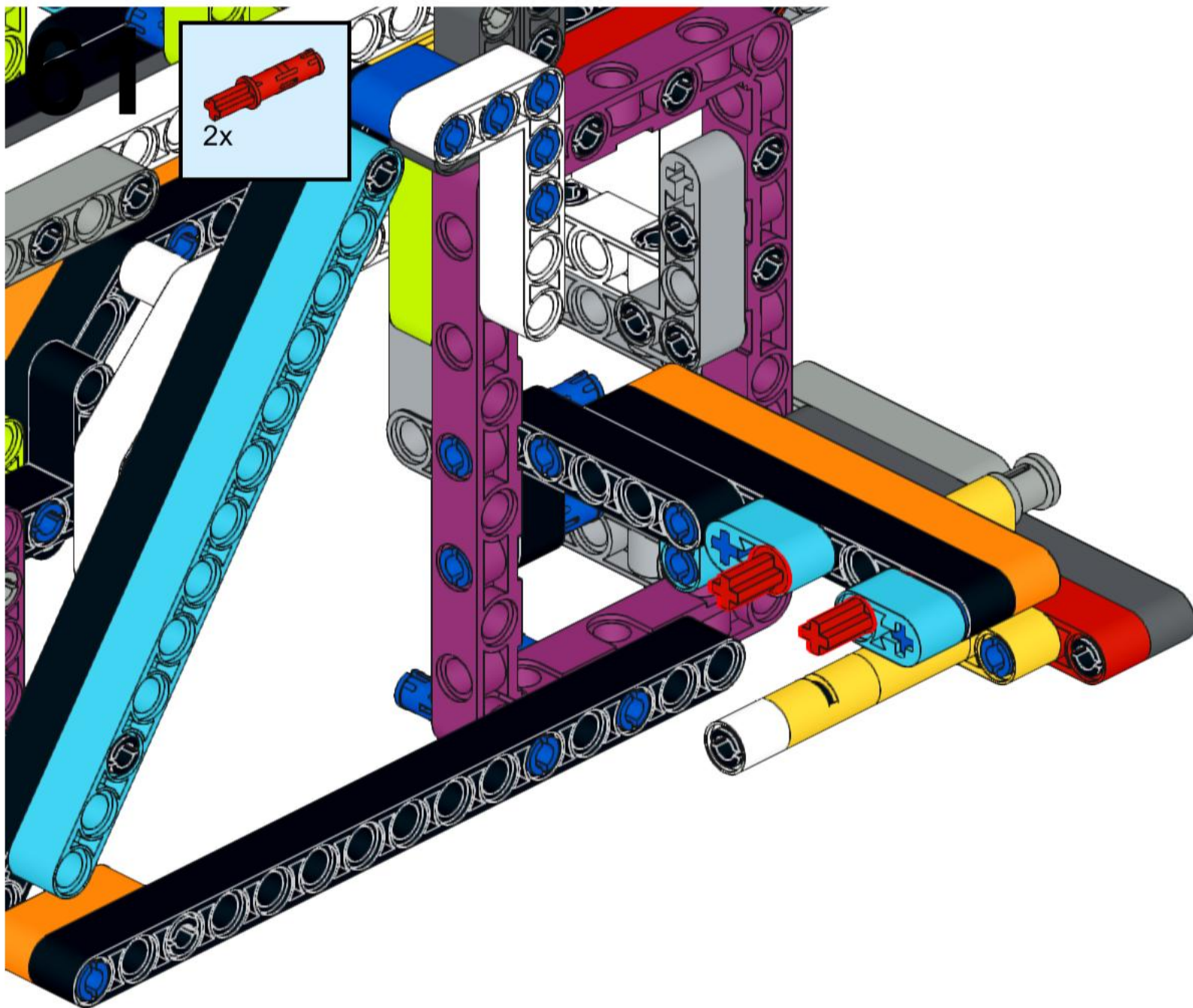


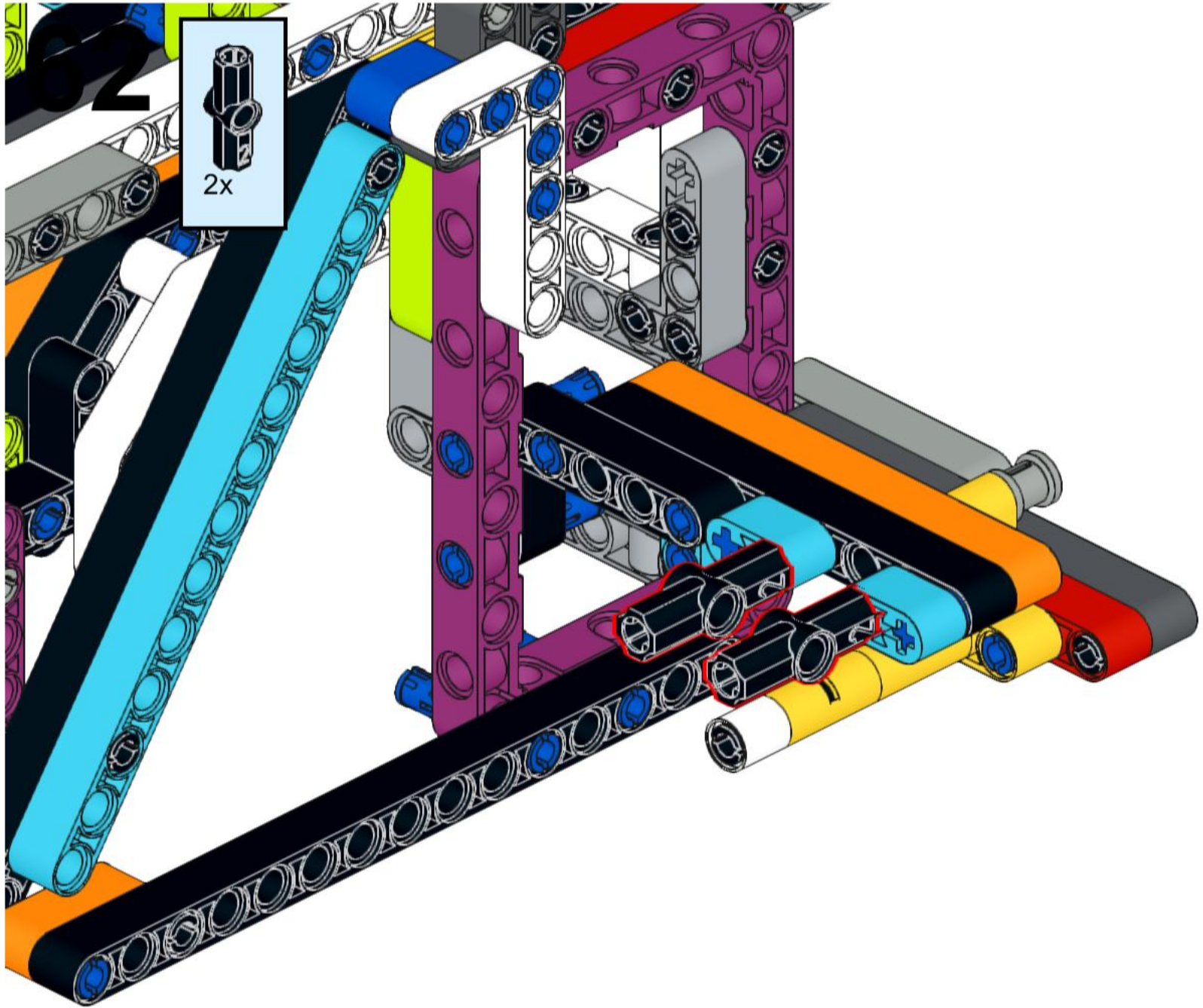


- 1x [Black Axle Pin]
- 1x [Yellow Axle Pin]
- 1x [Grey Axle Pin]

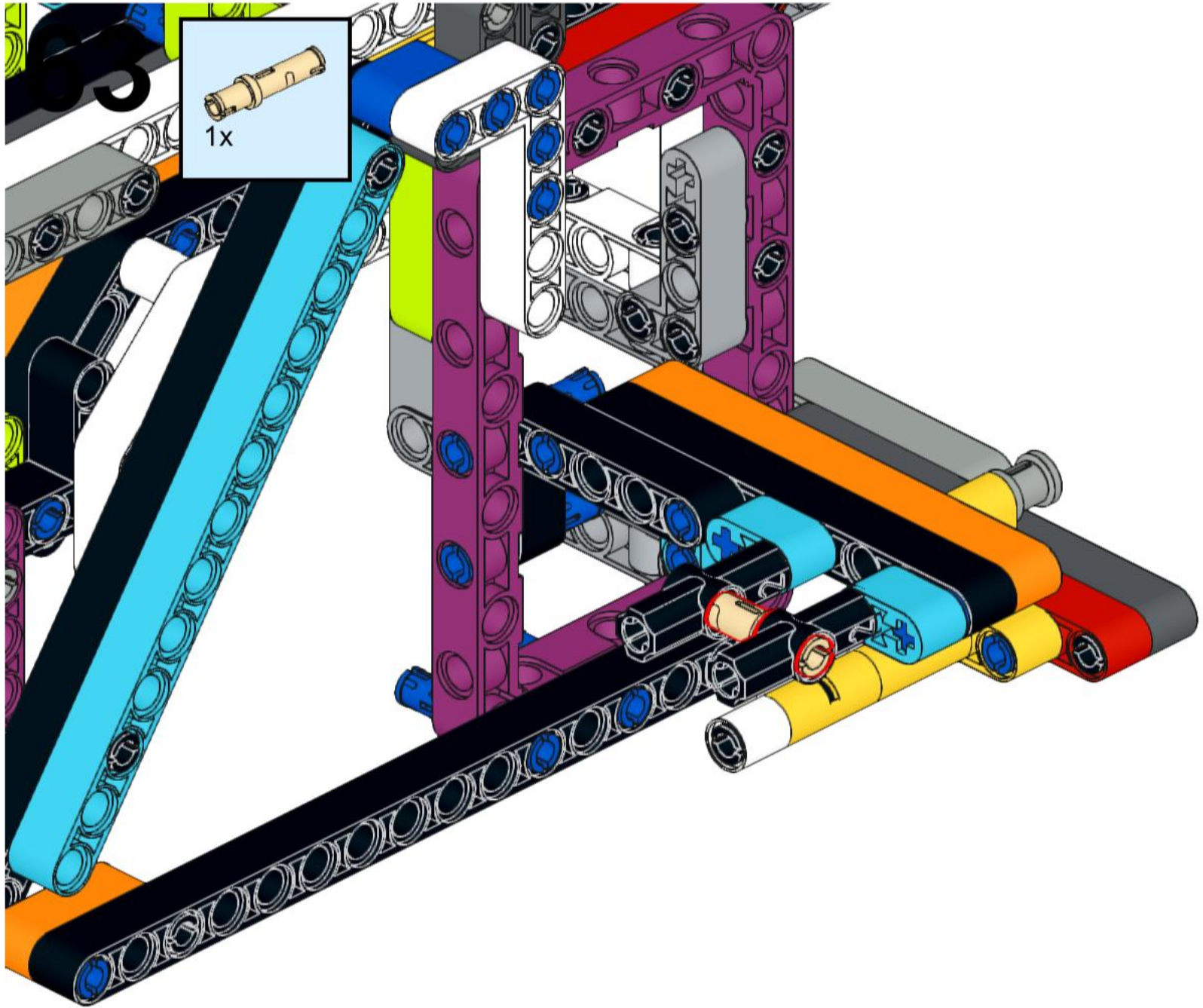




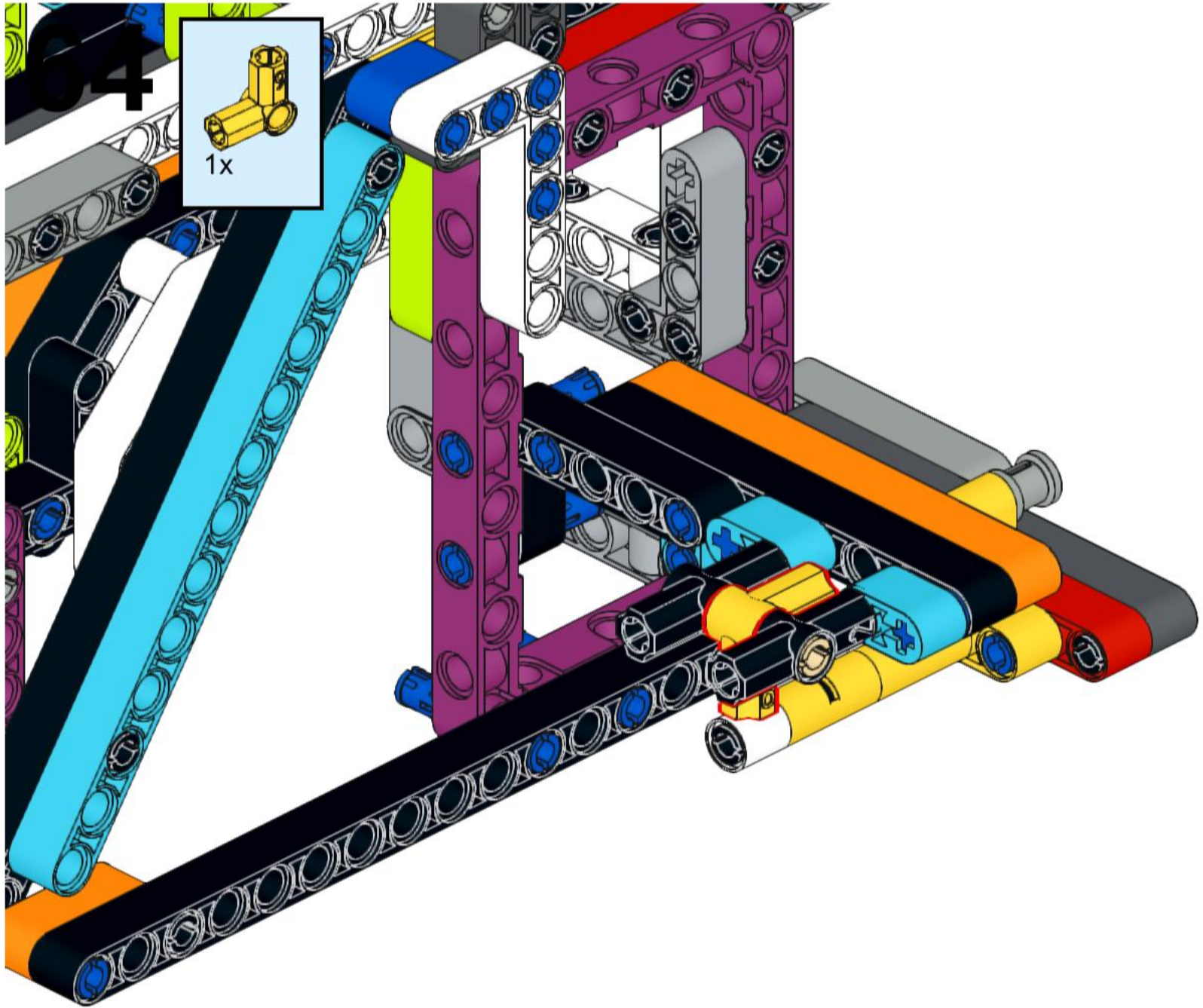




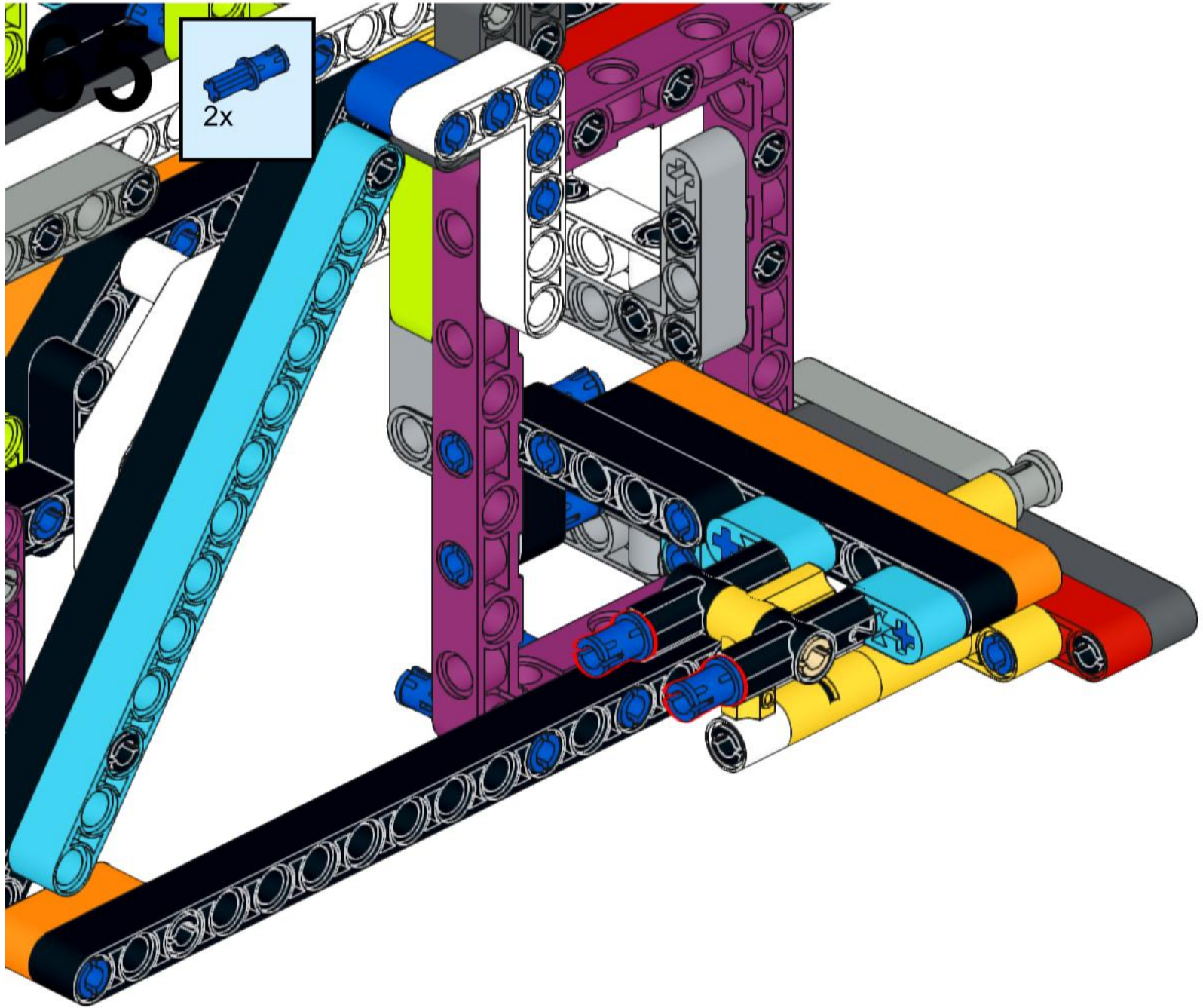
2x

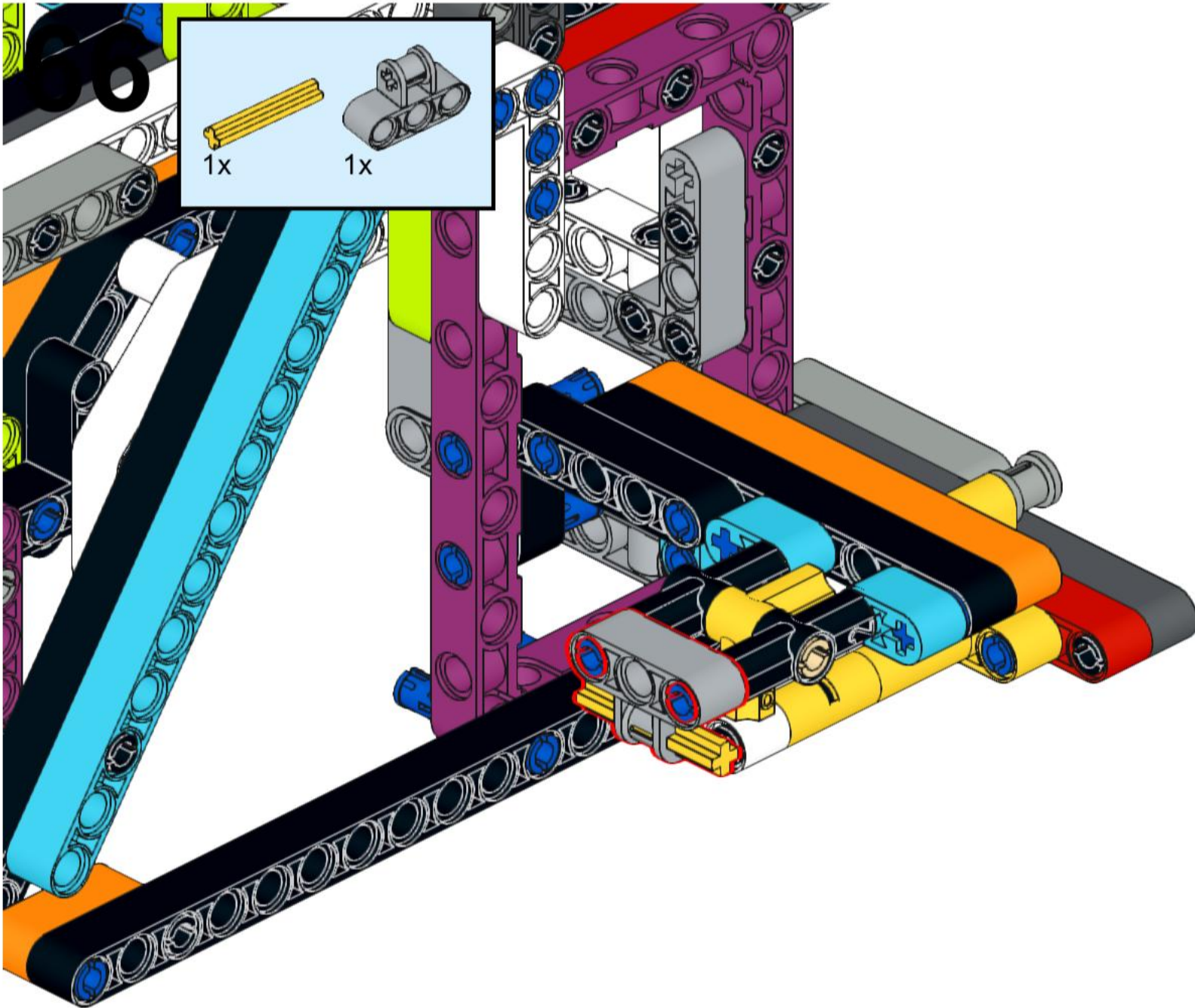


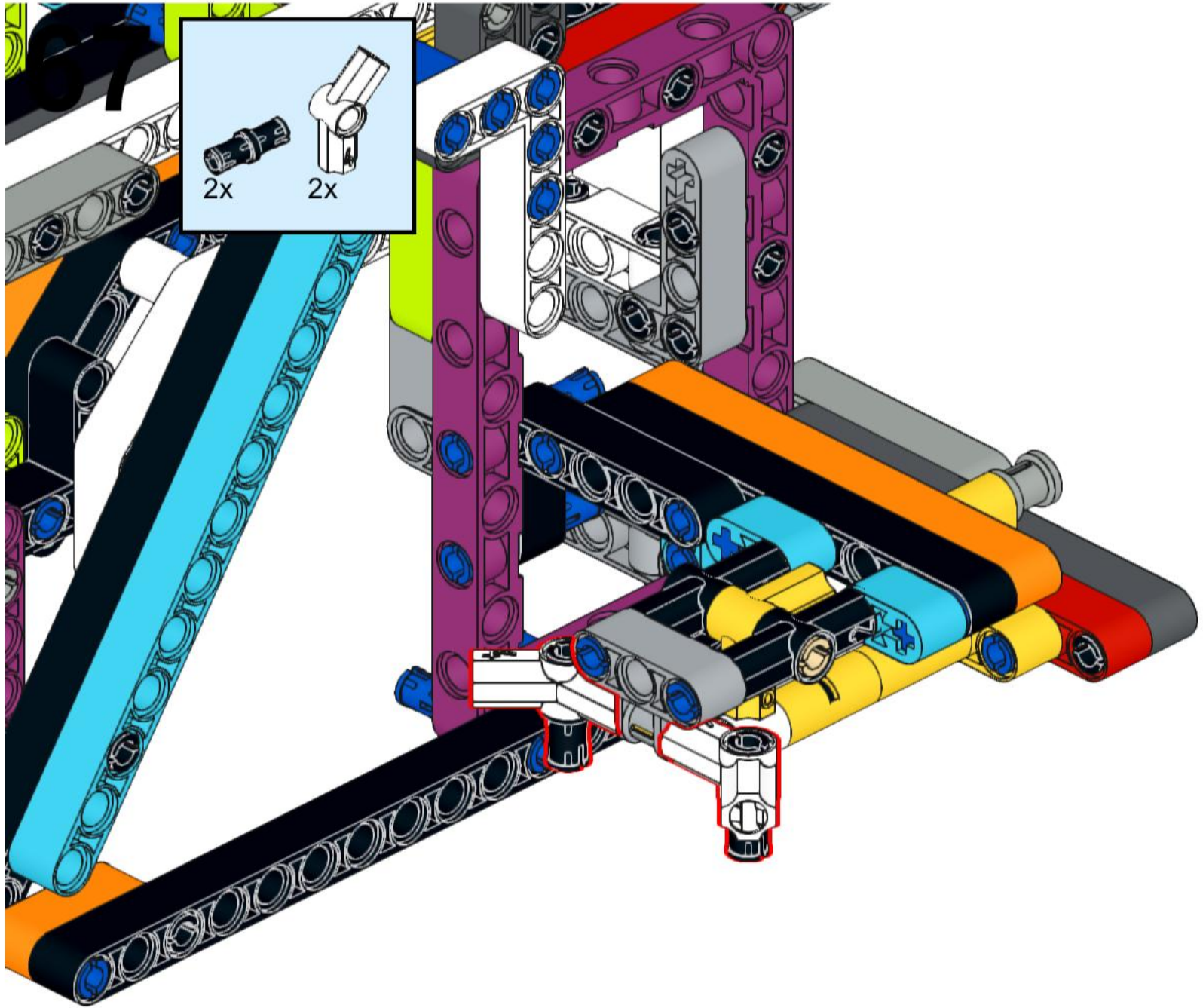
1x



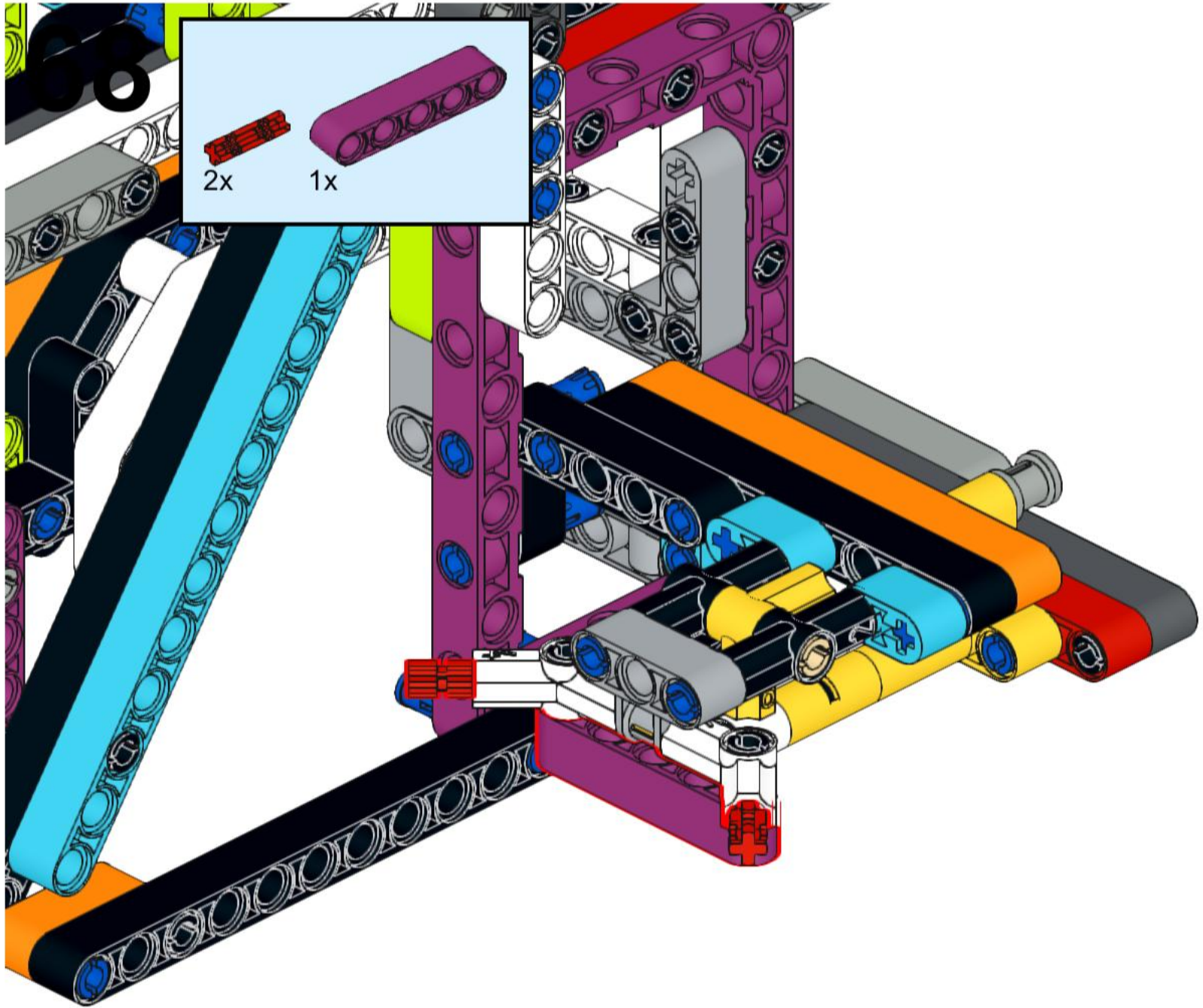
1x



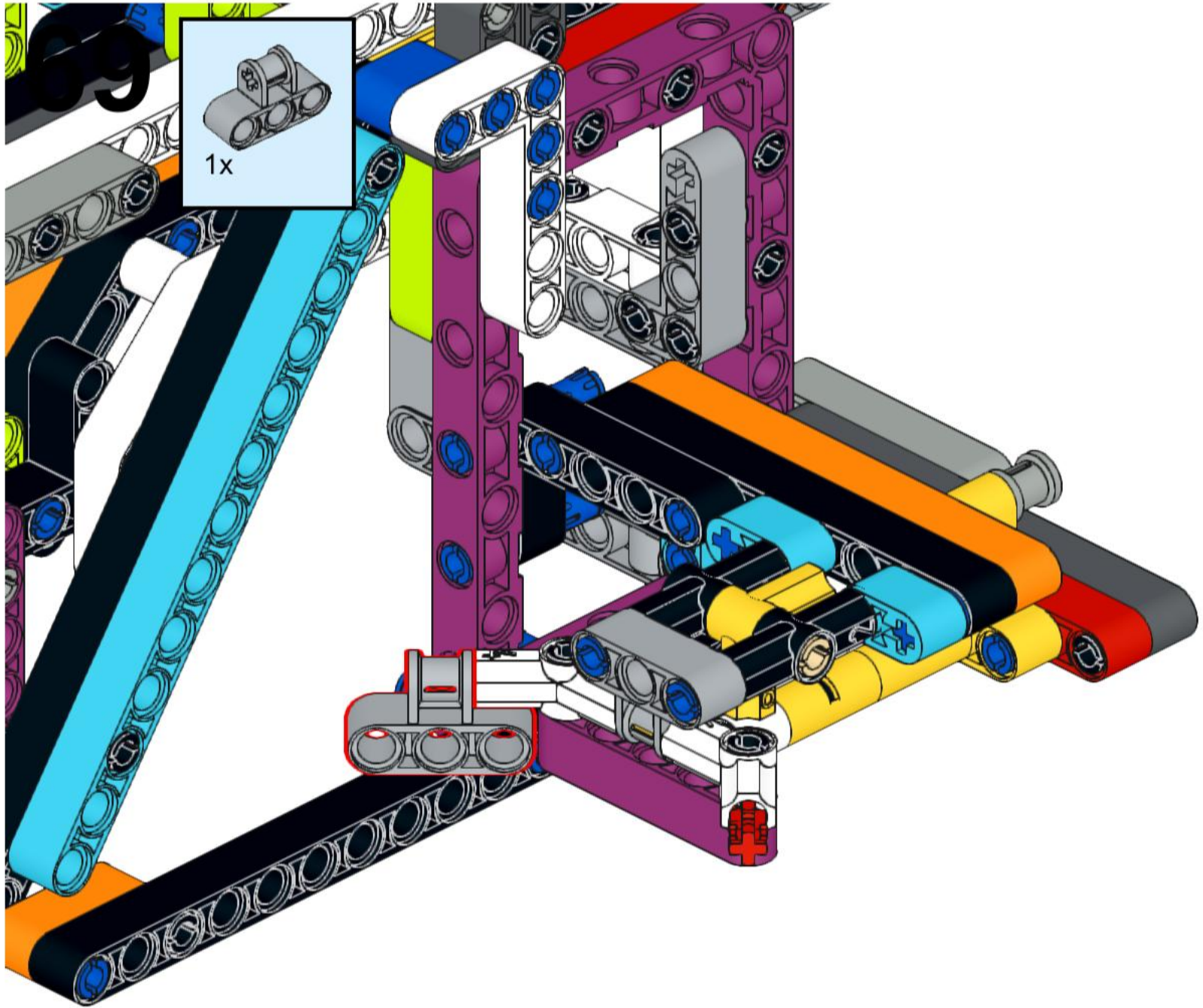


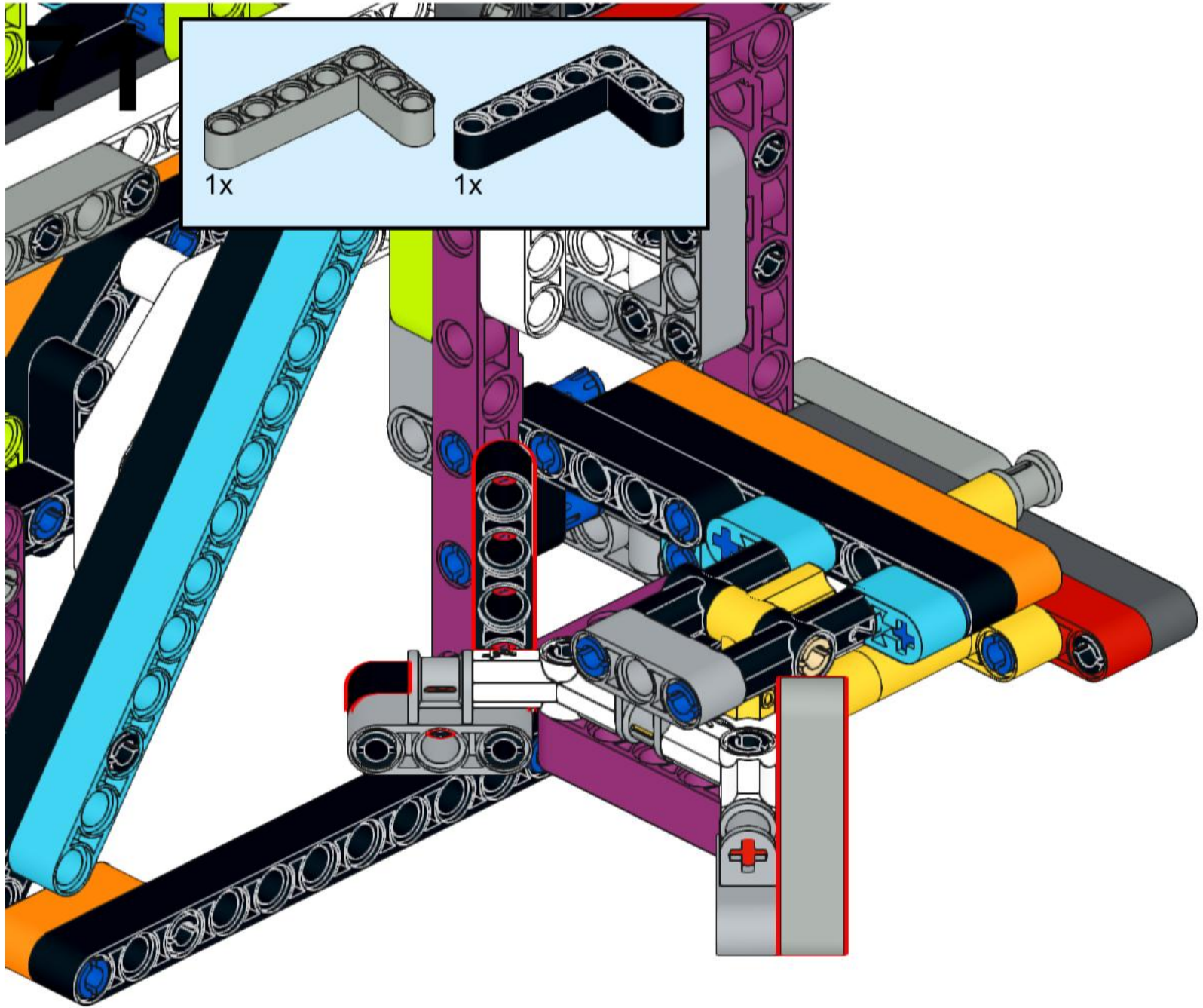


2x 2x



2x 1x





1x

1x