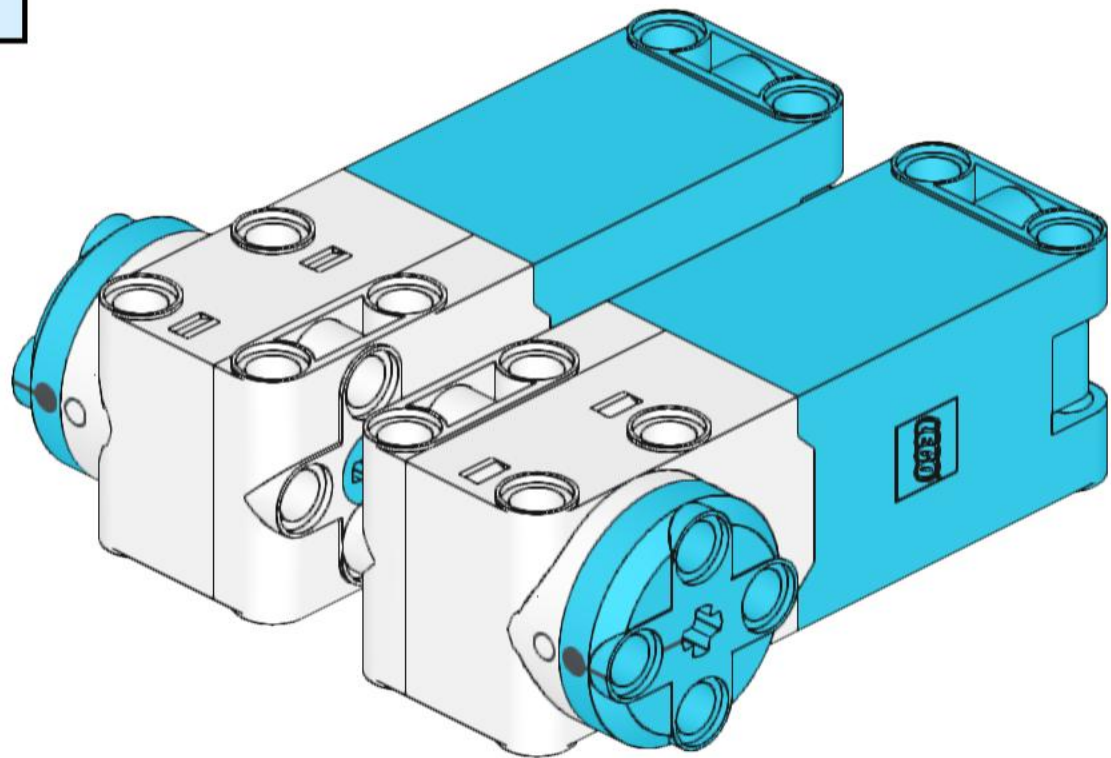
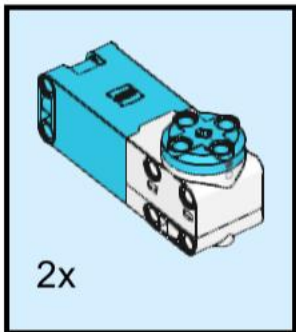
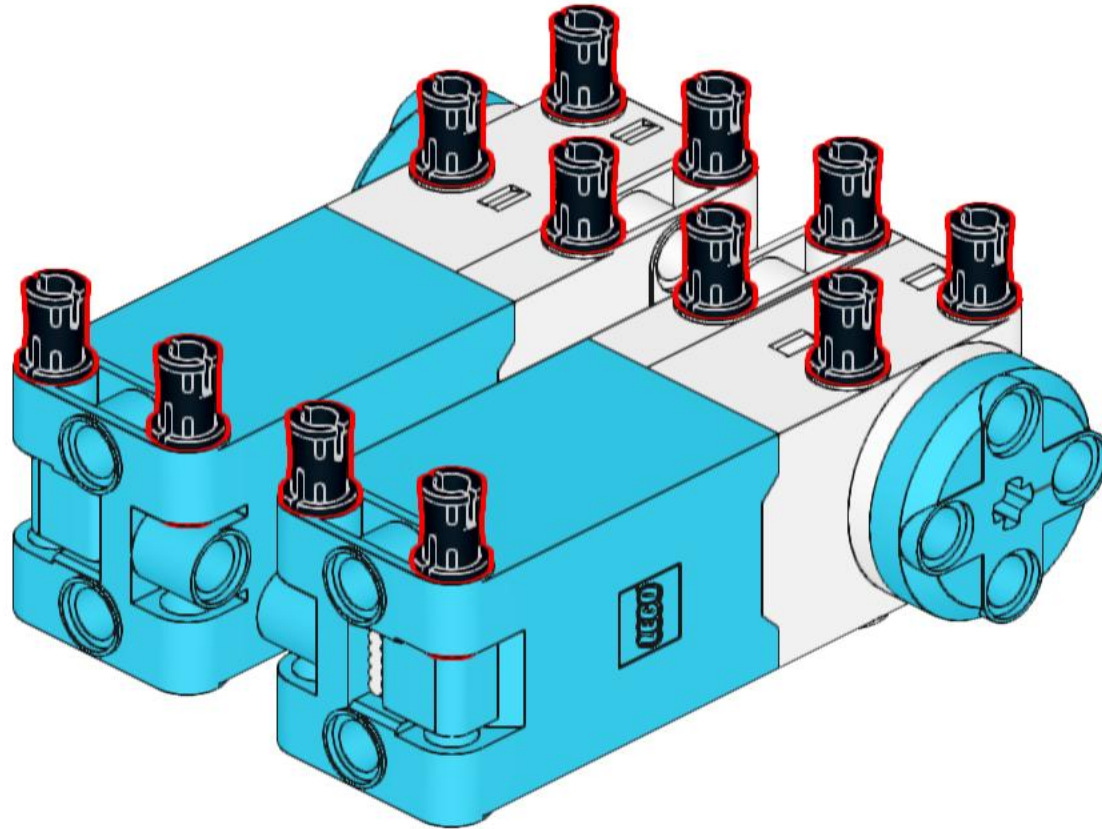


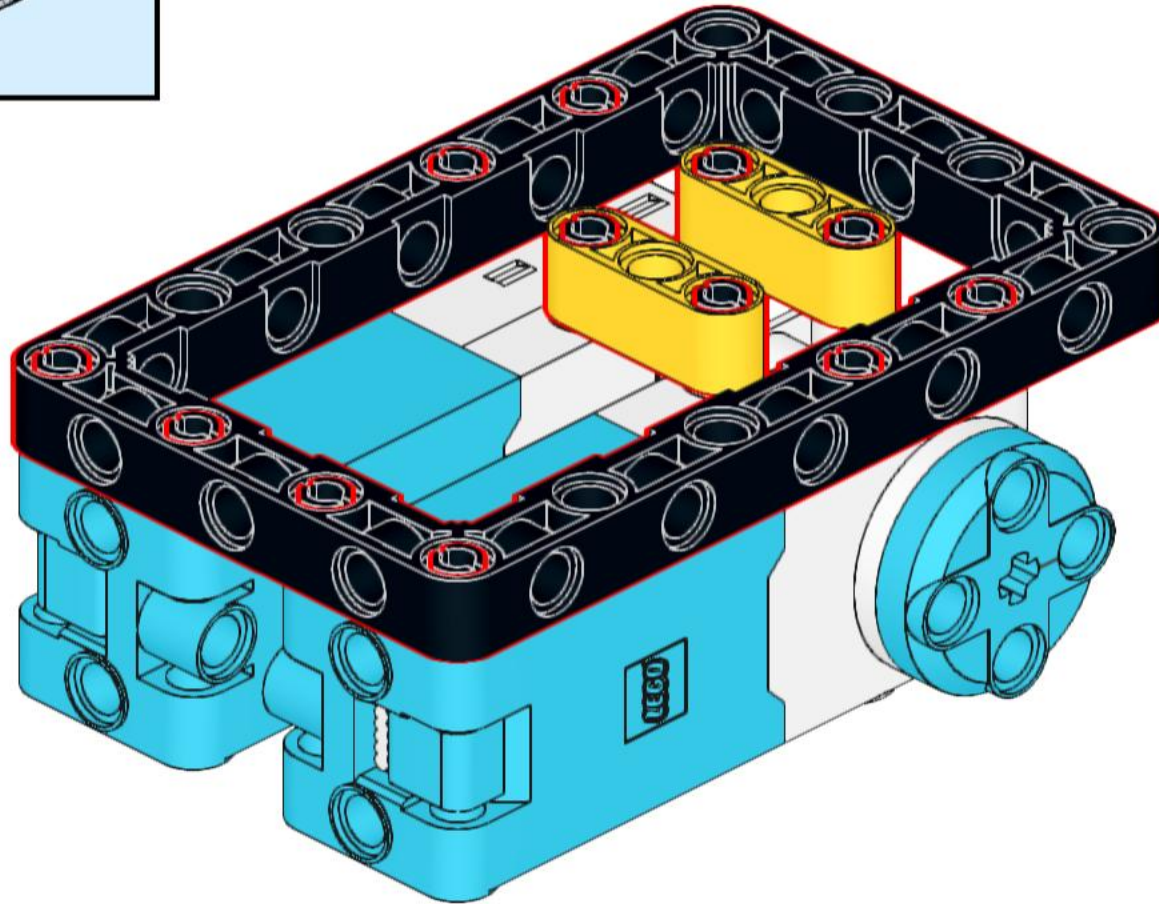
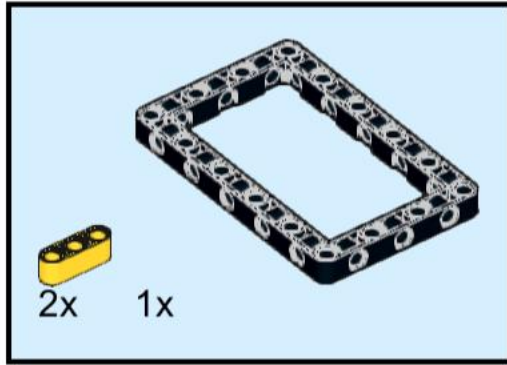
1



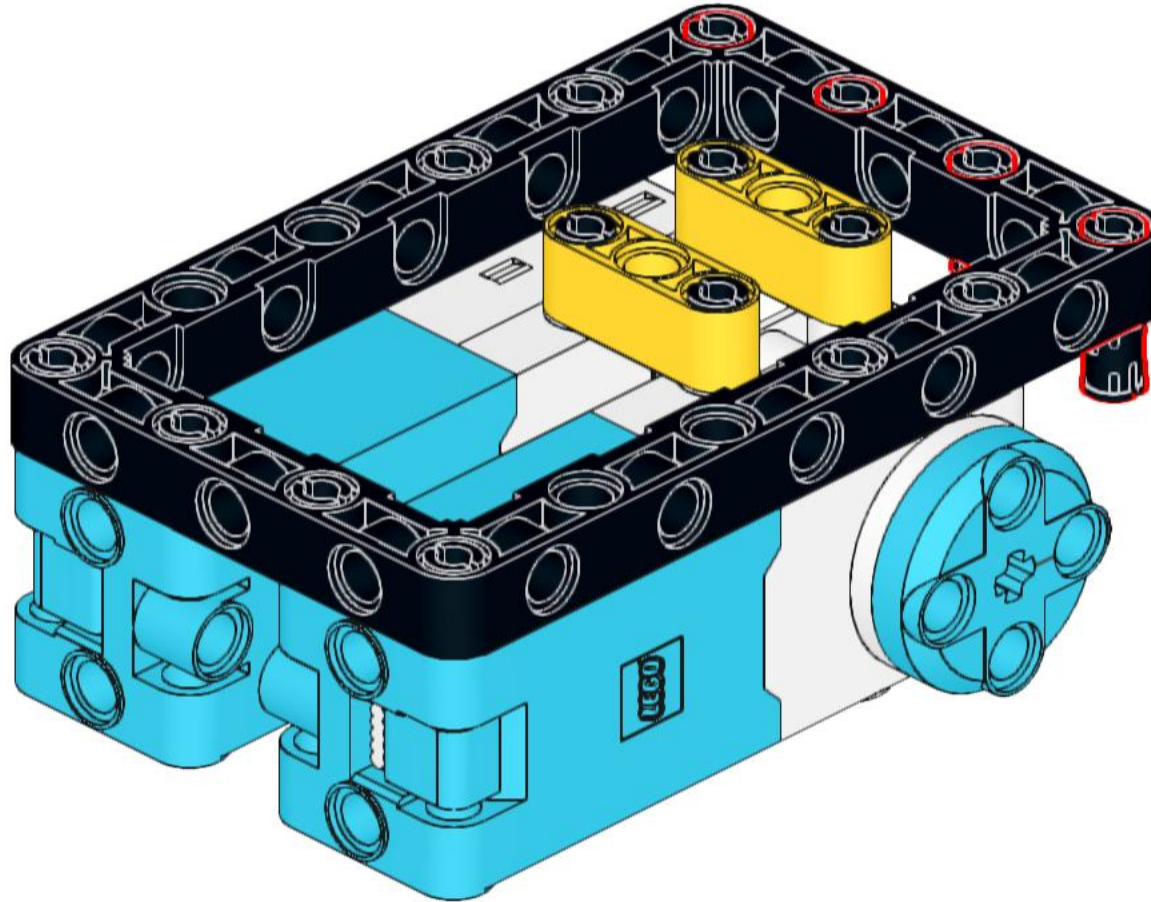
2



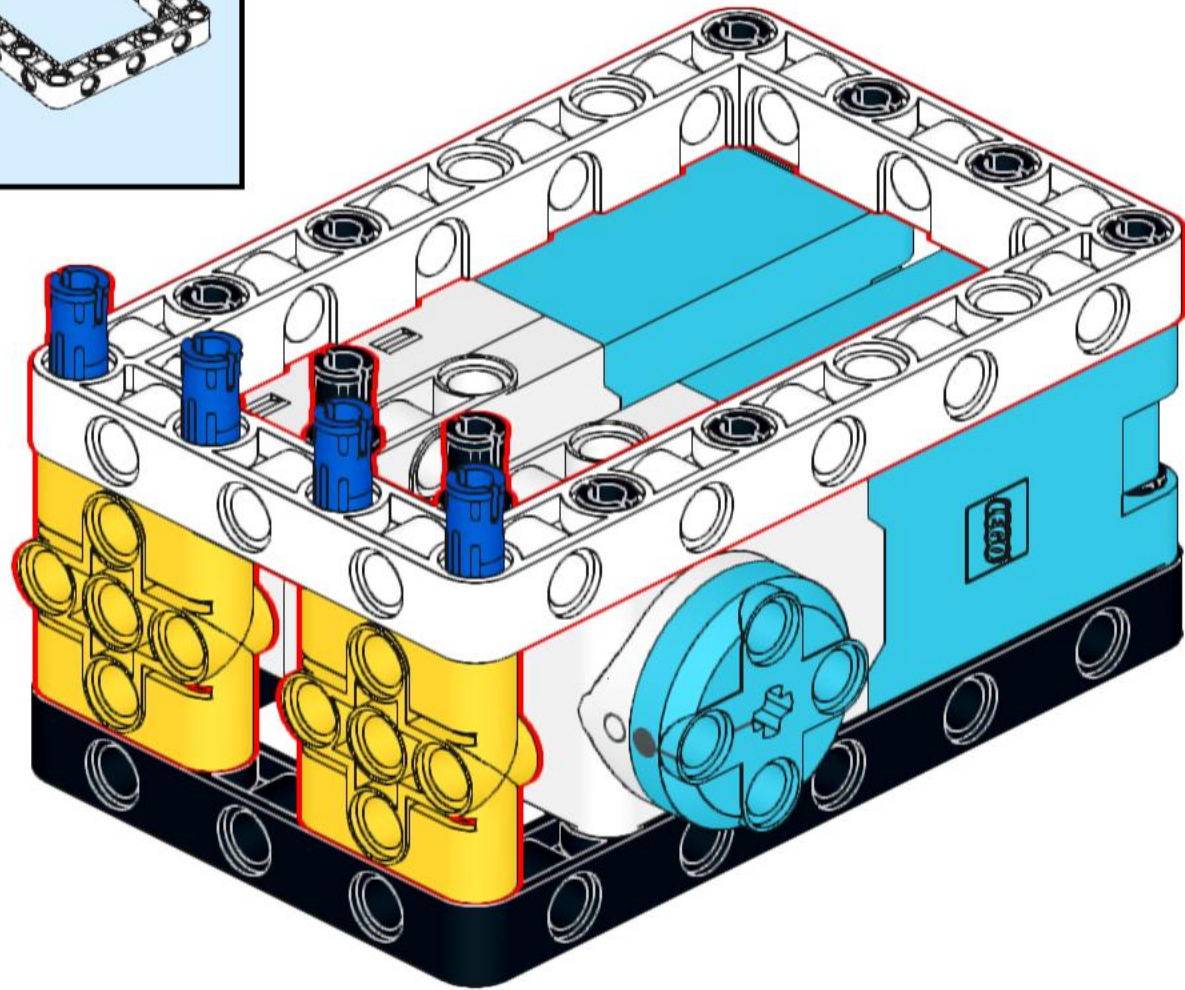
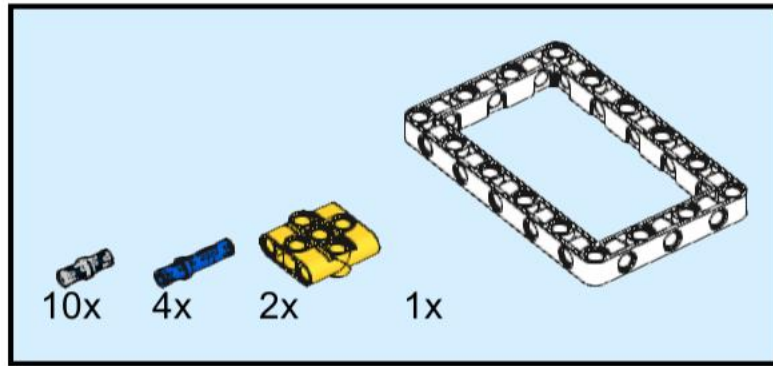
3



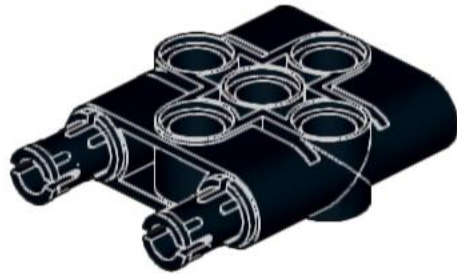
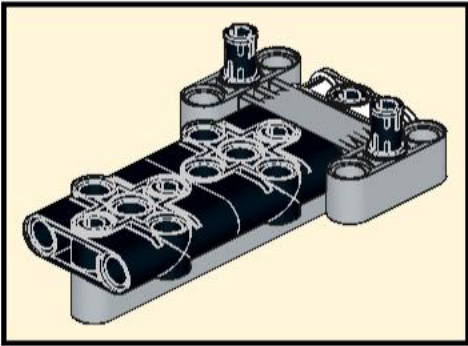
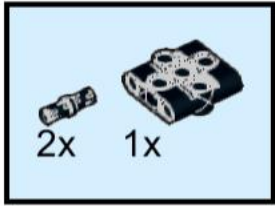
4



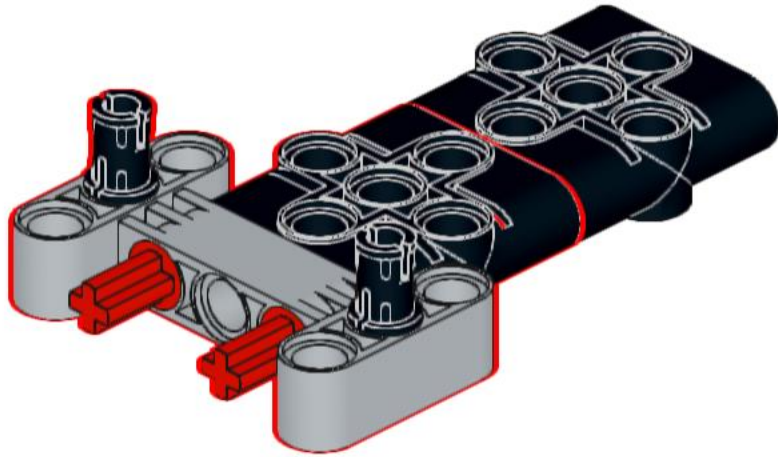
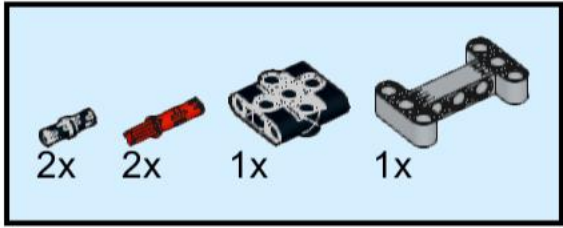
# 5



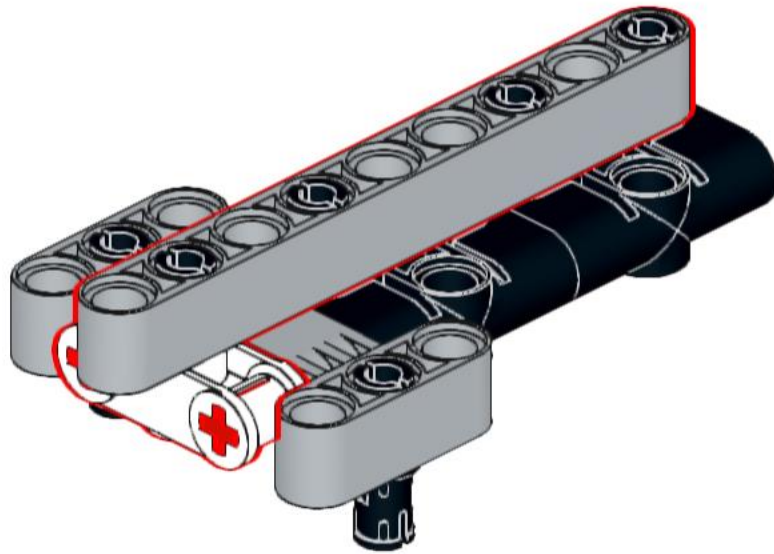
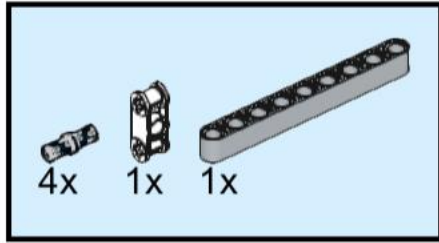
6



7

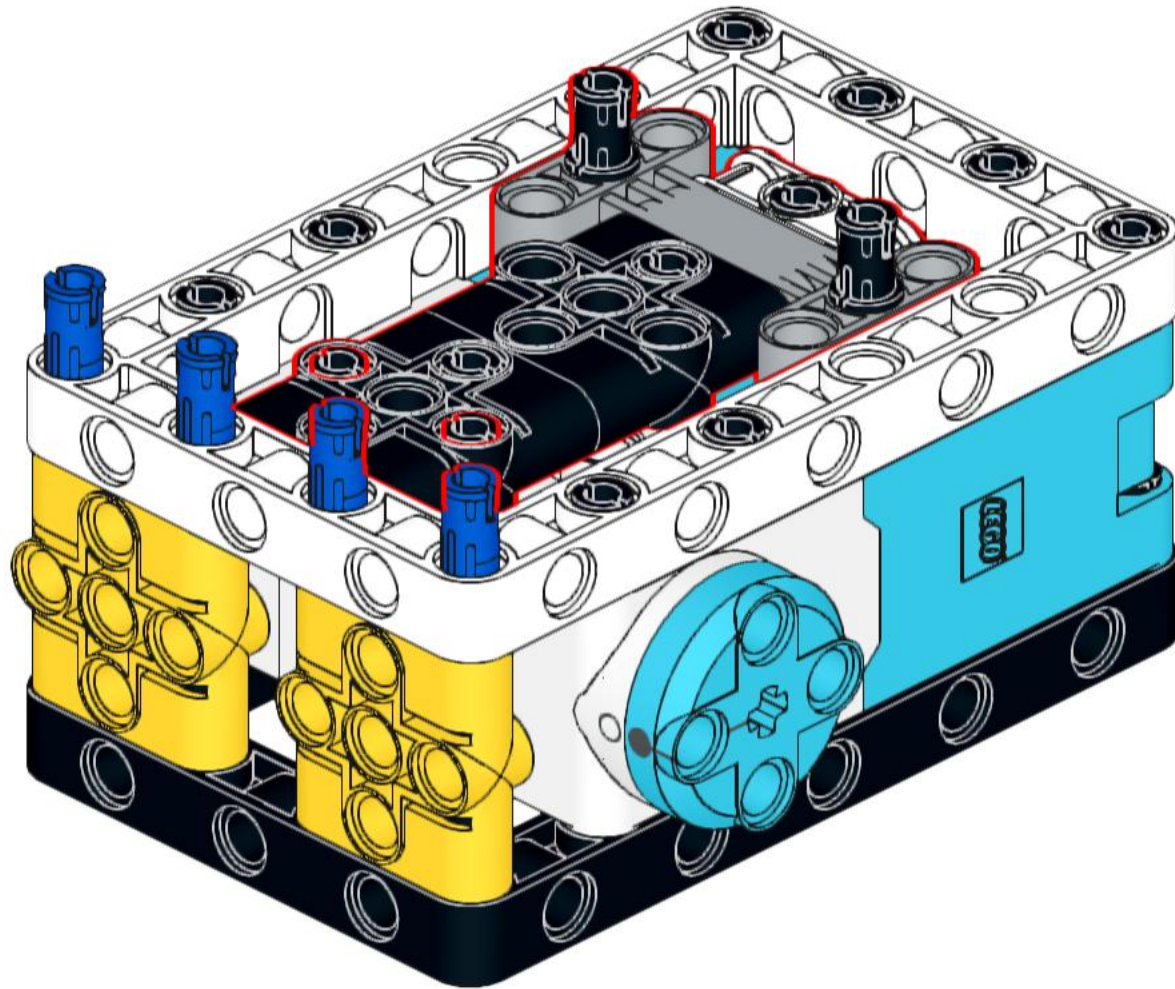


8

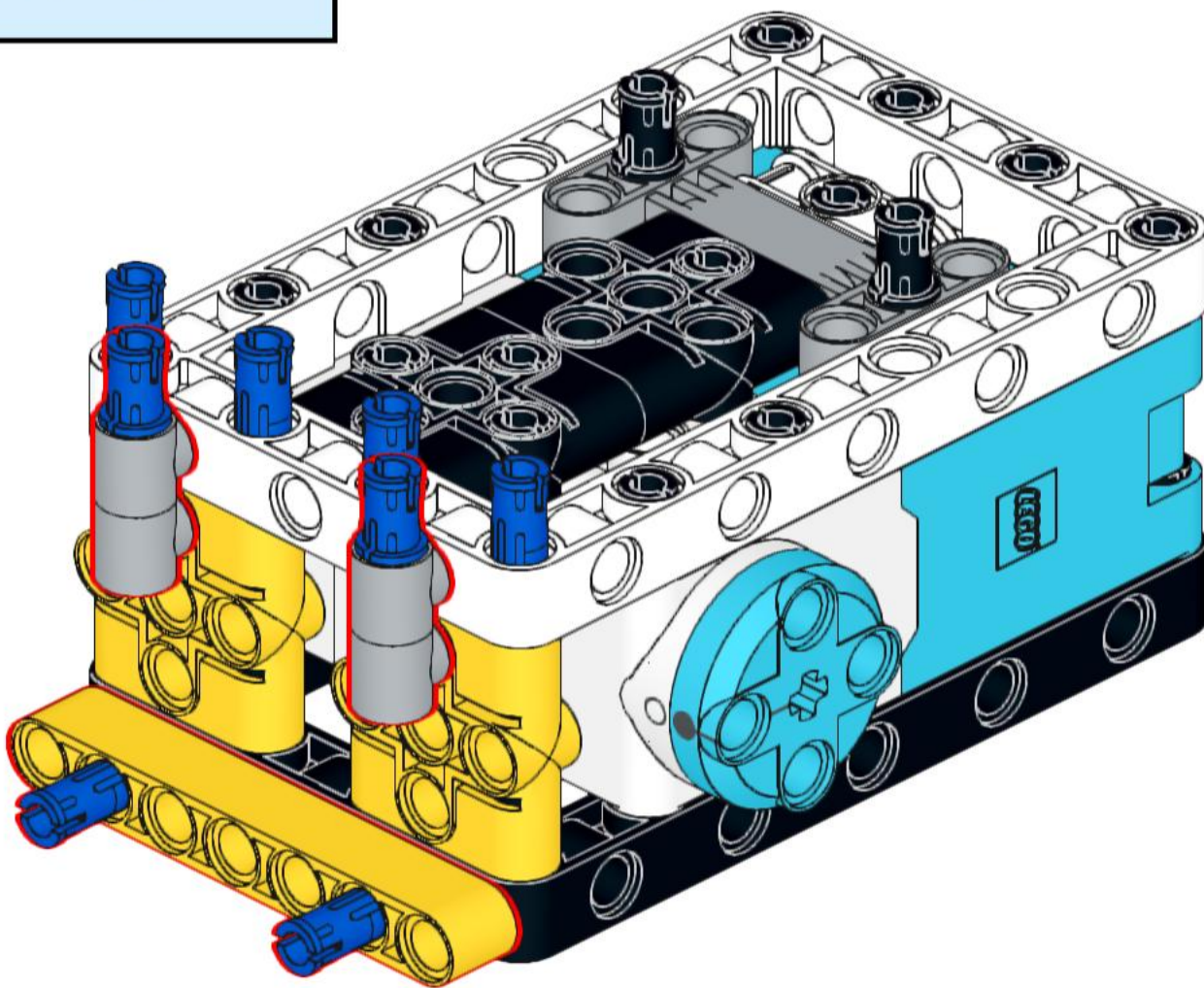
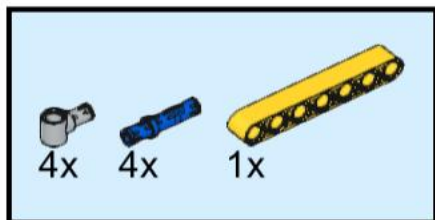




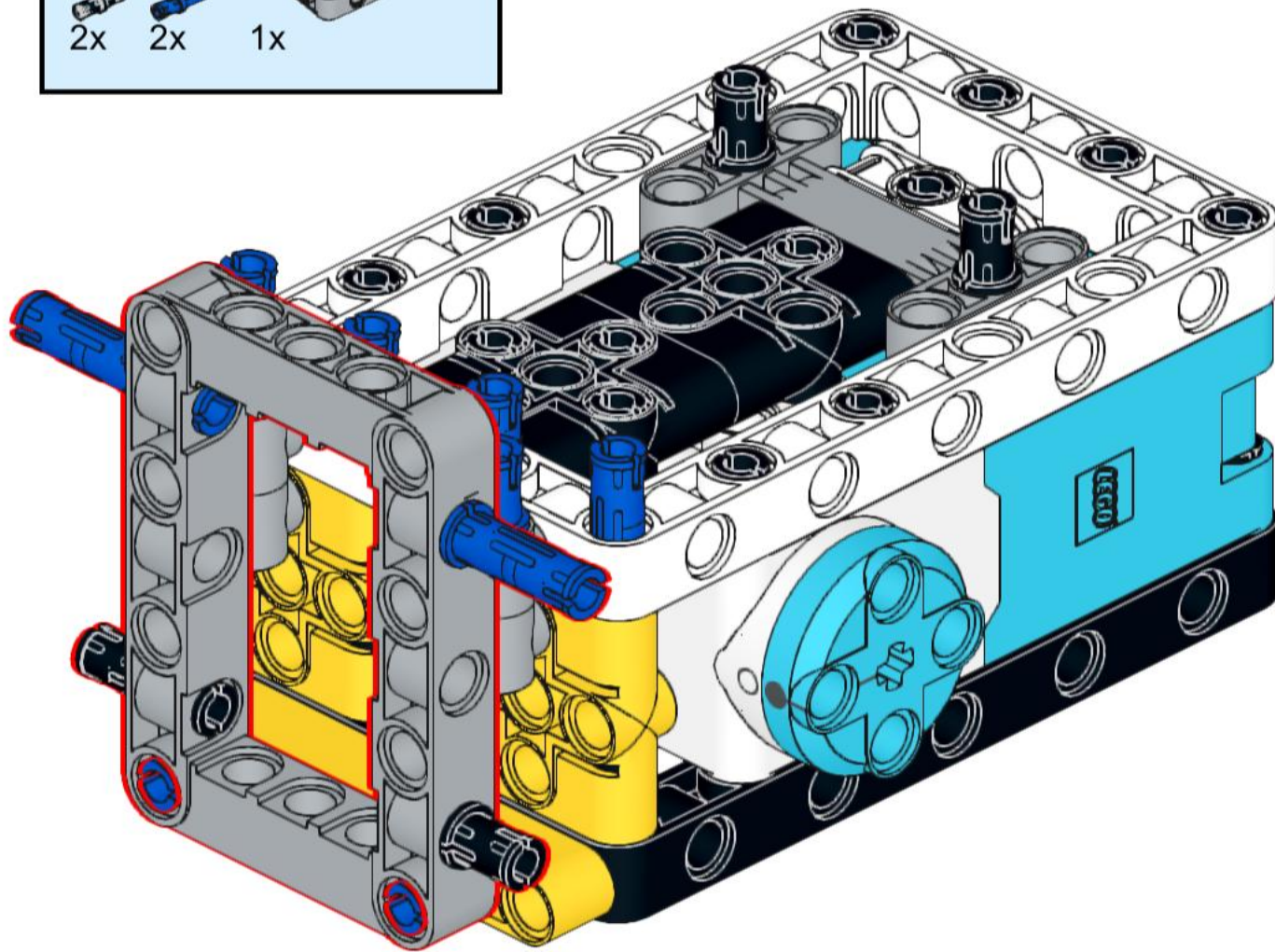
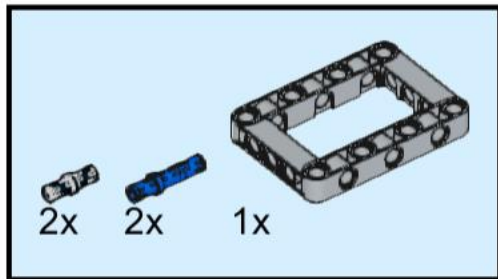
9



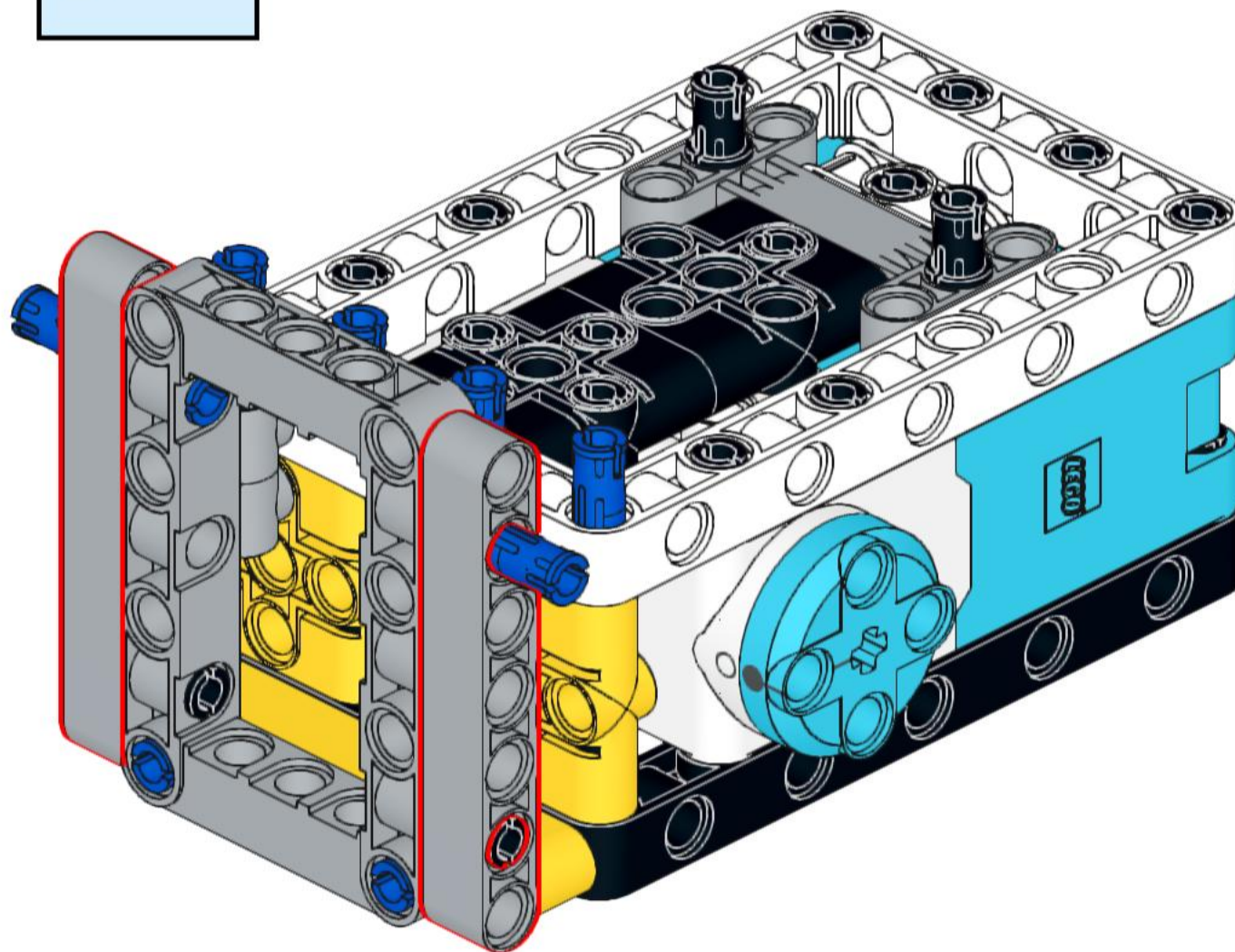
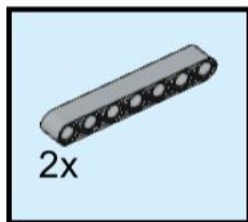
# 10



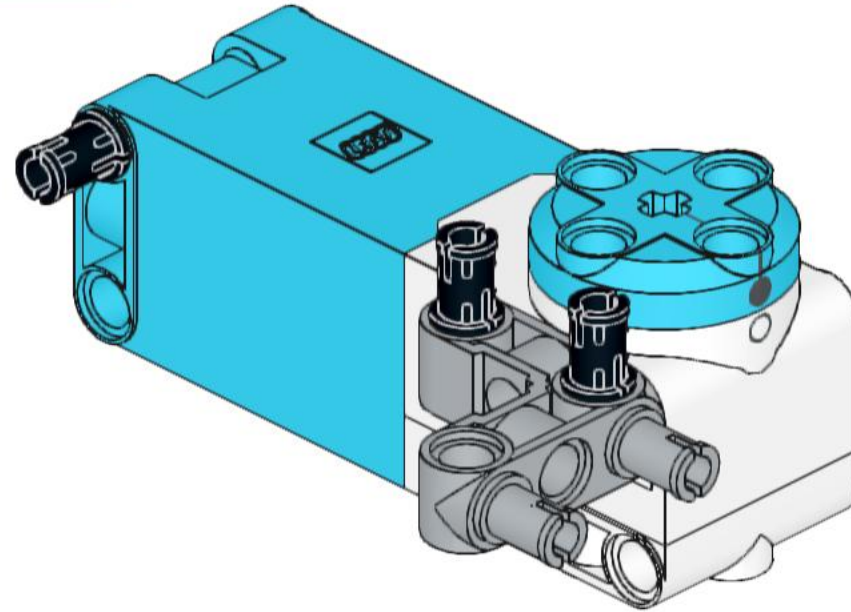
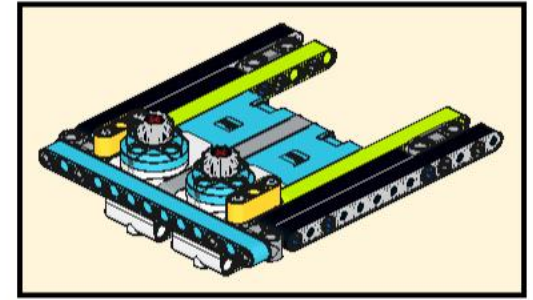
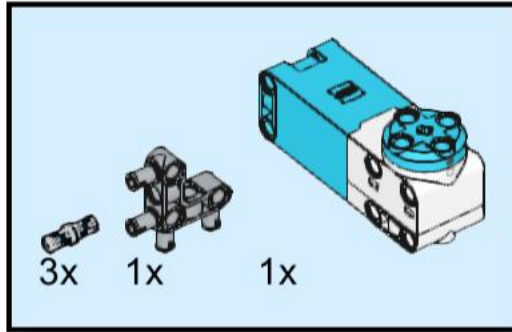
# 11



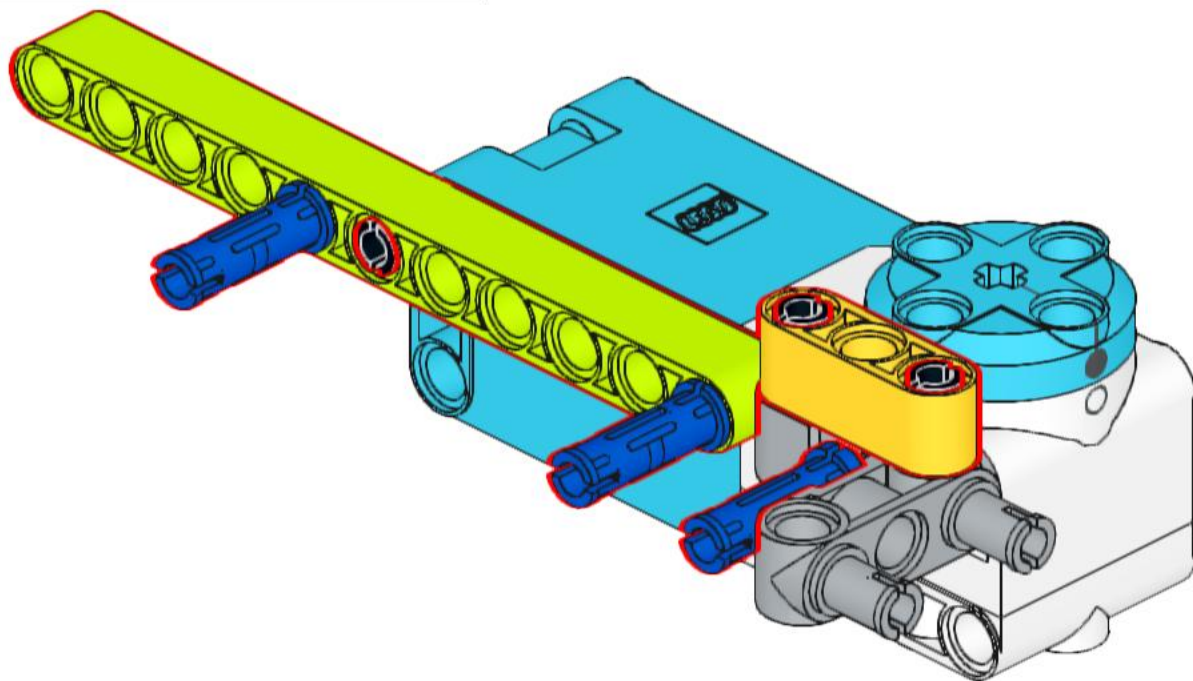
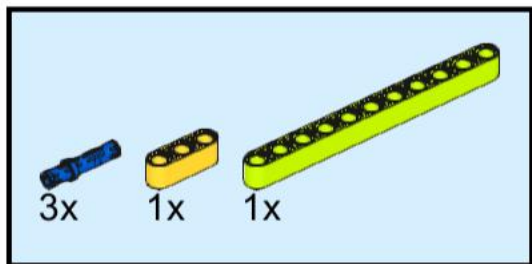
# 12



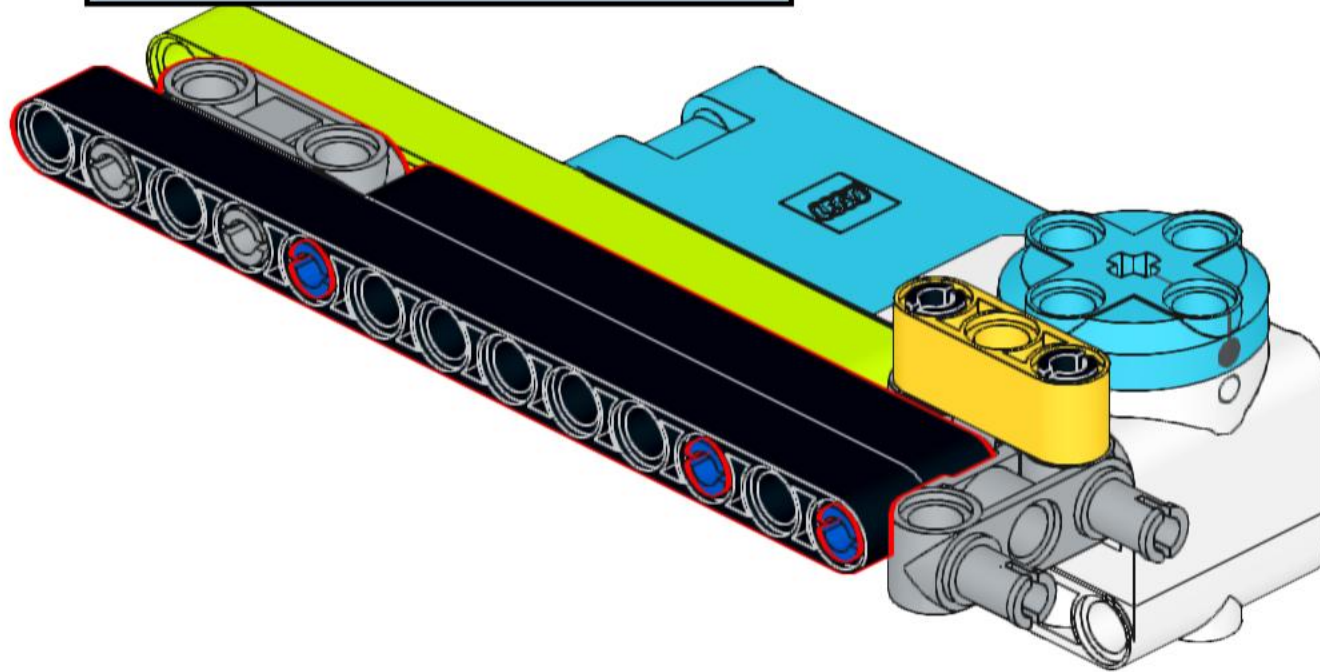
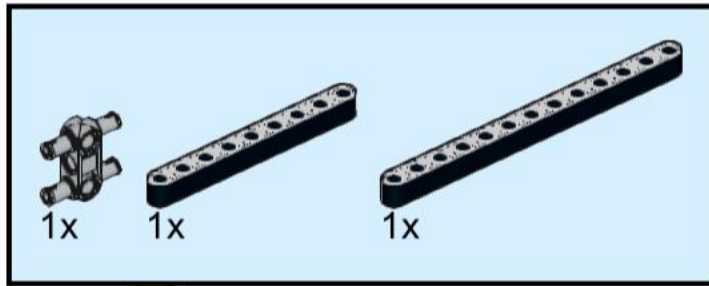
# 13



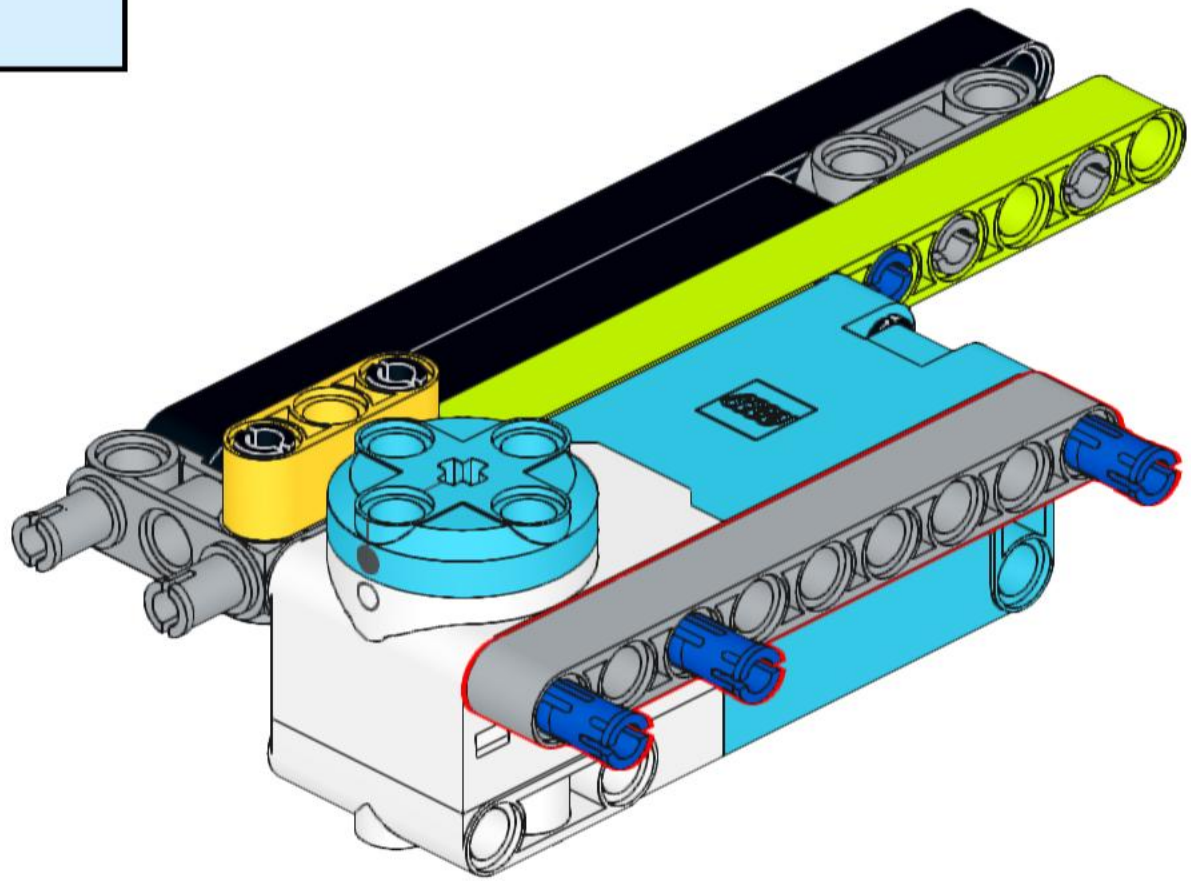
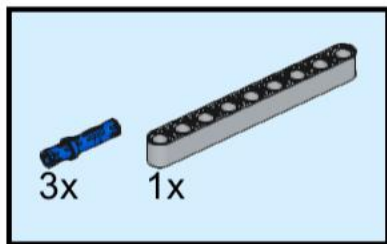
# 14



# 15

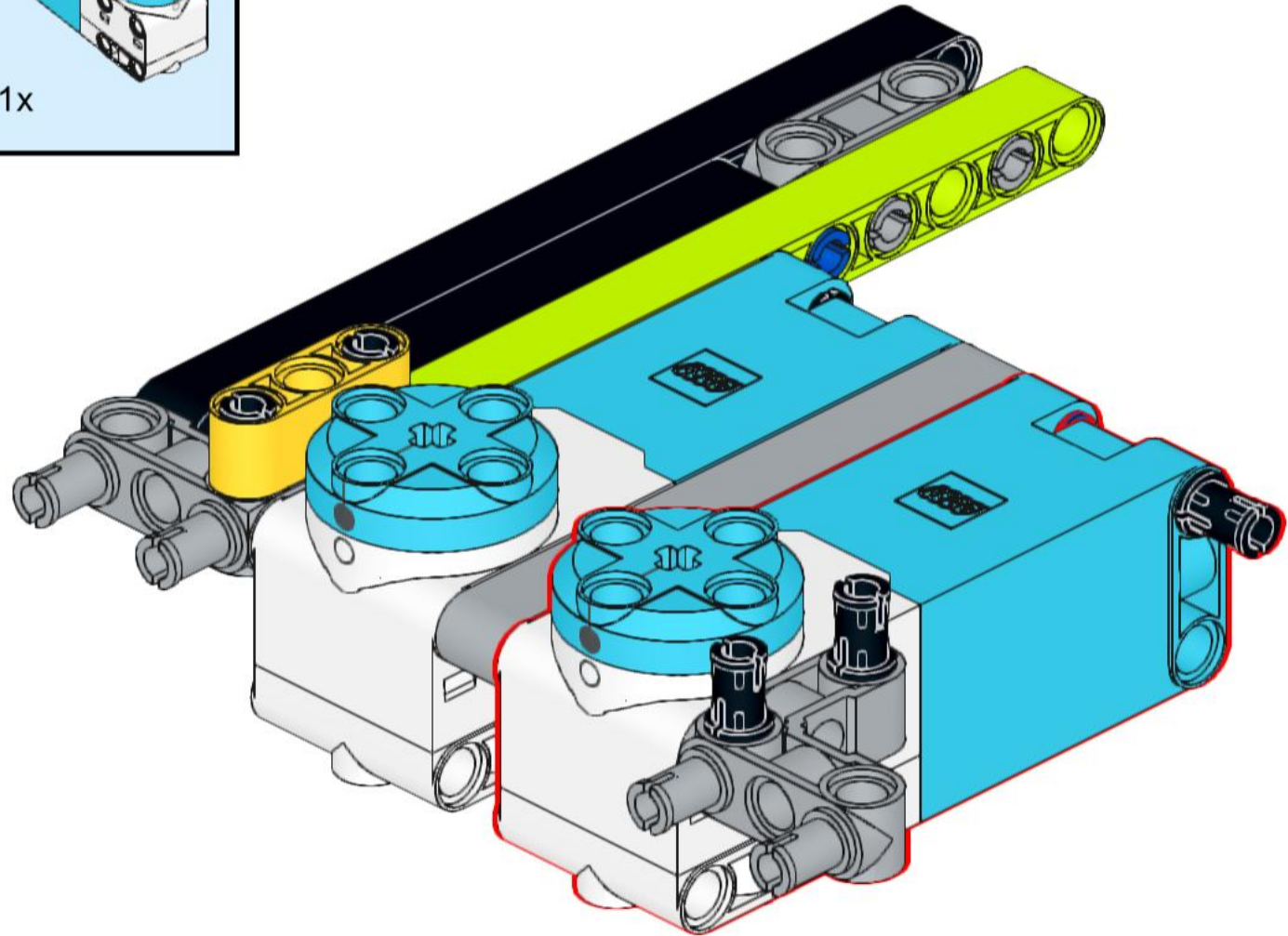
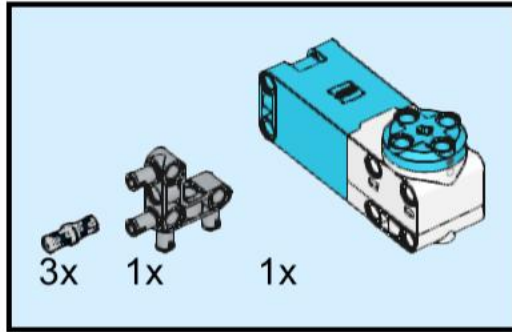


# 16

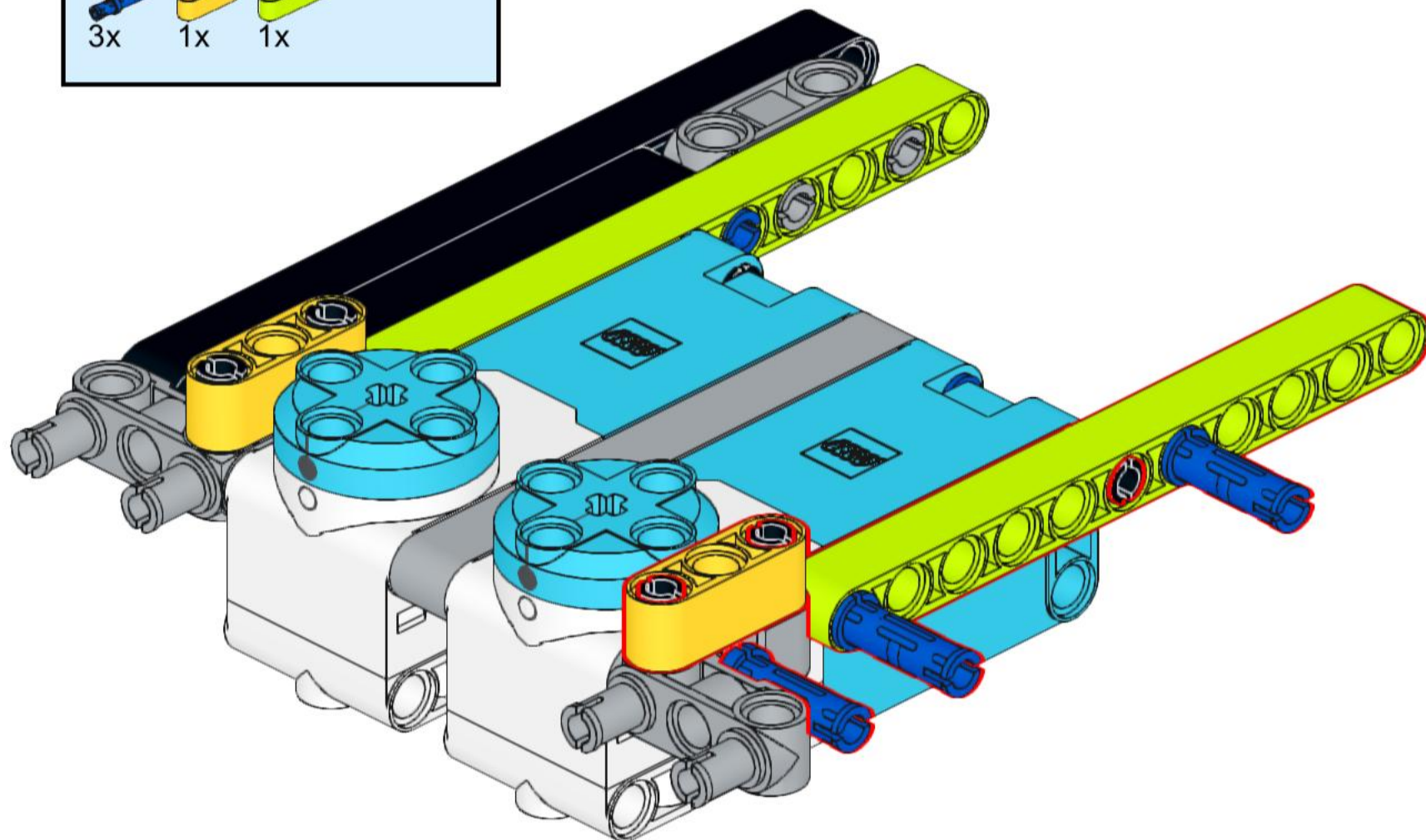
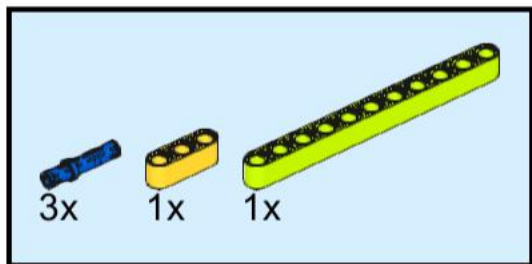




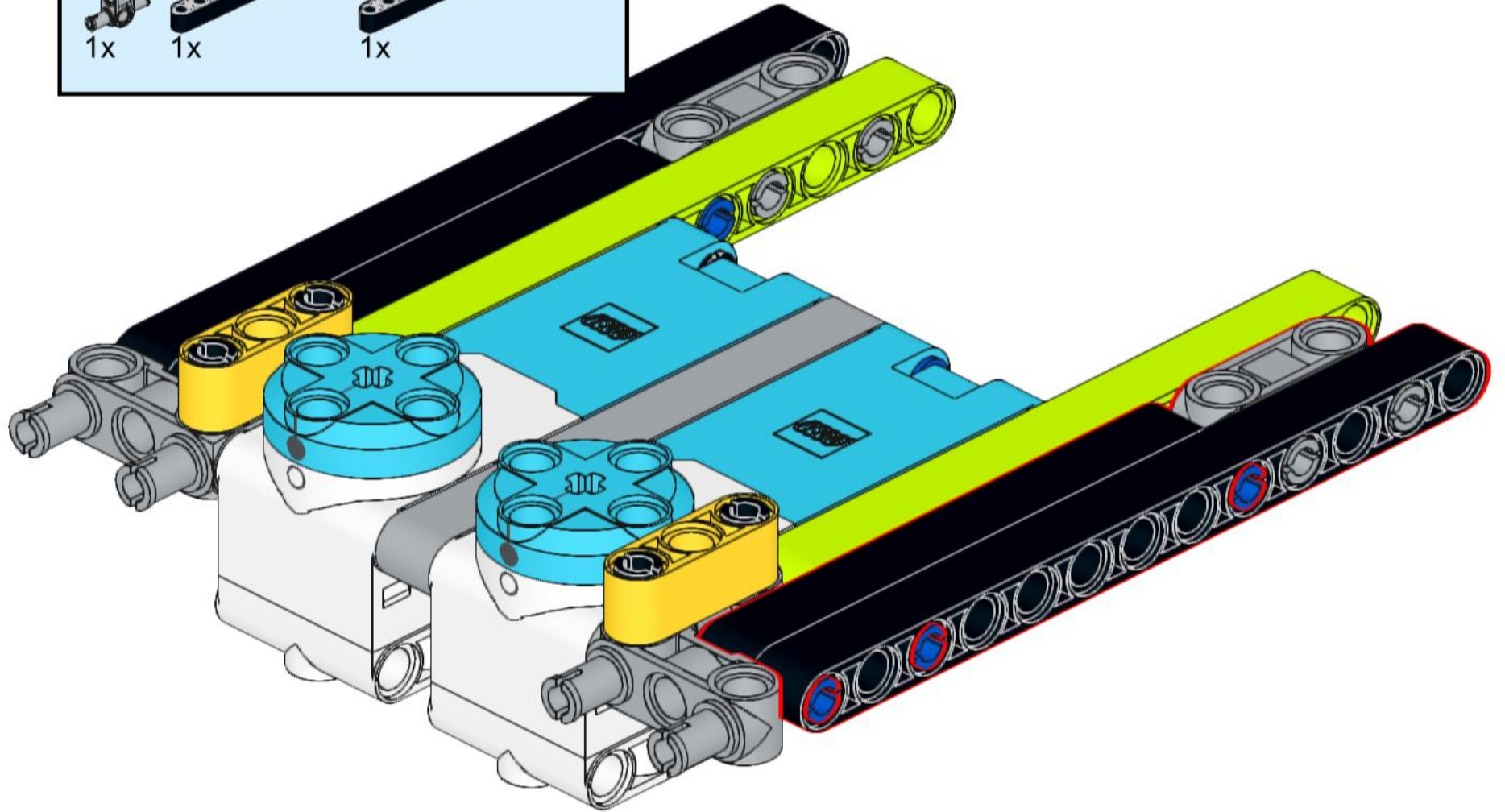
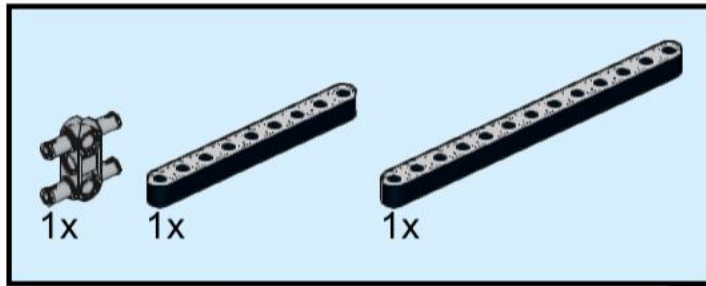
# 17



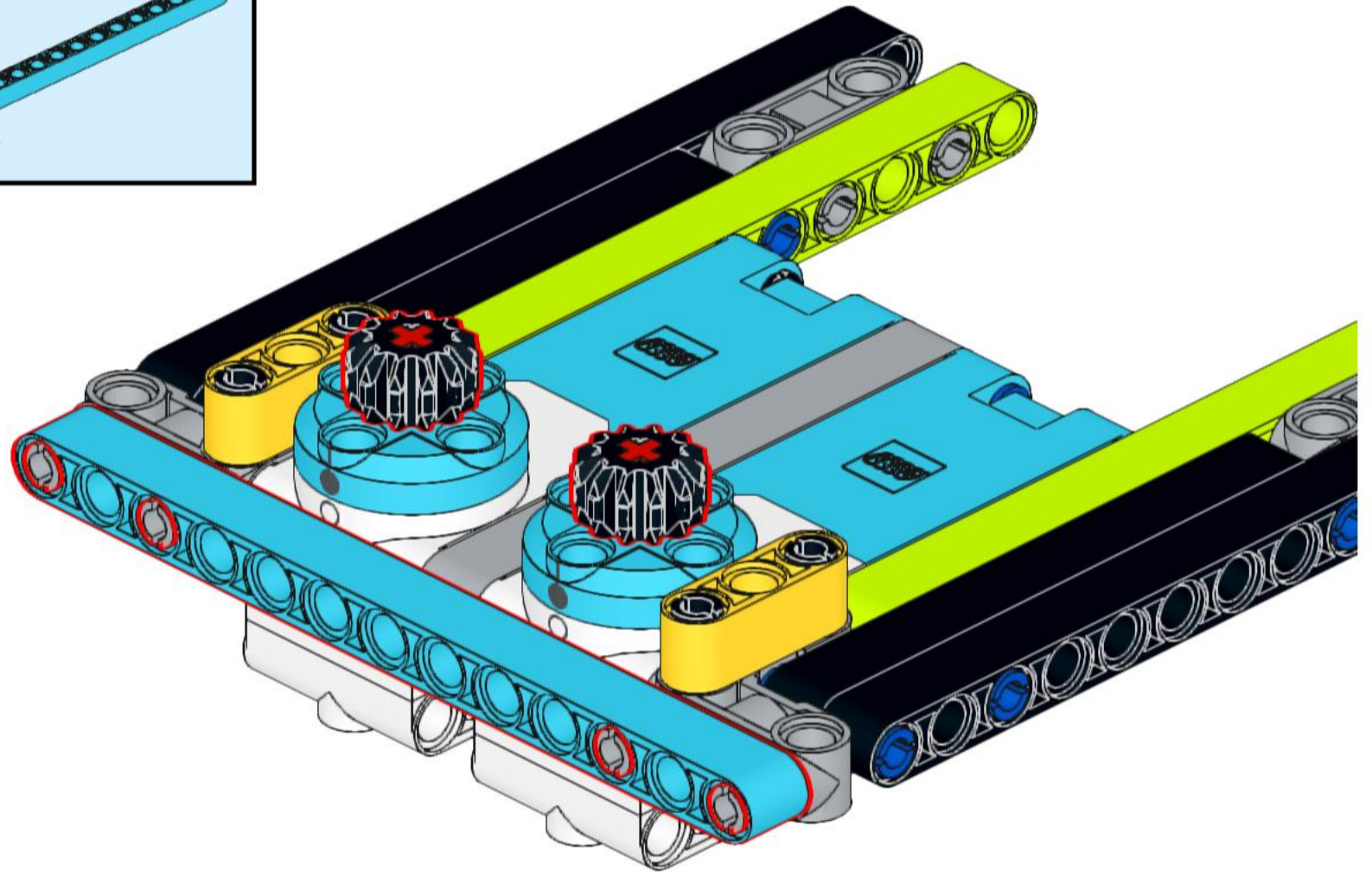
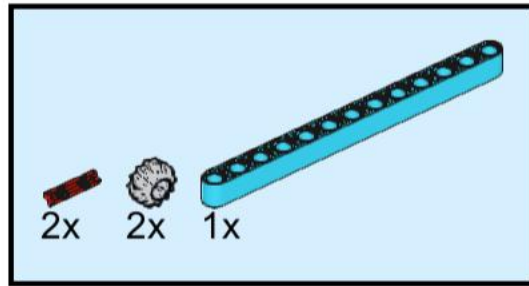
# 18



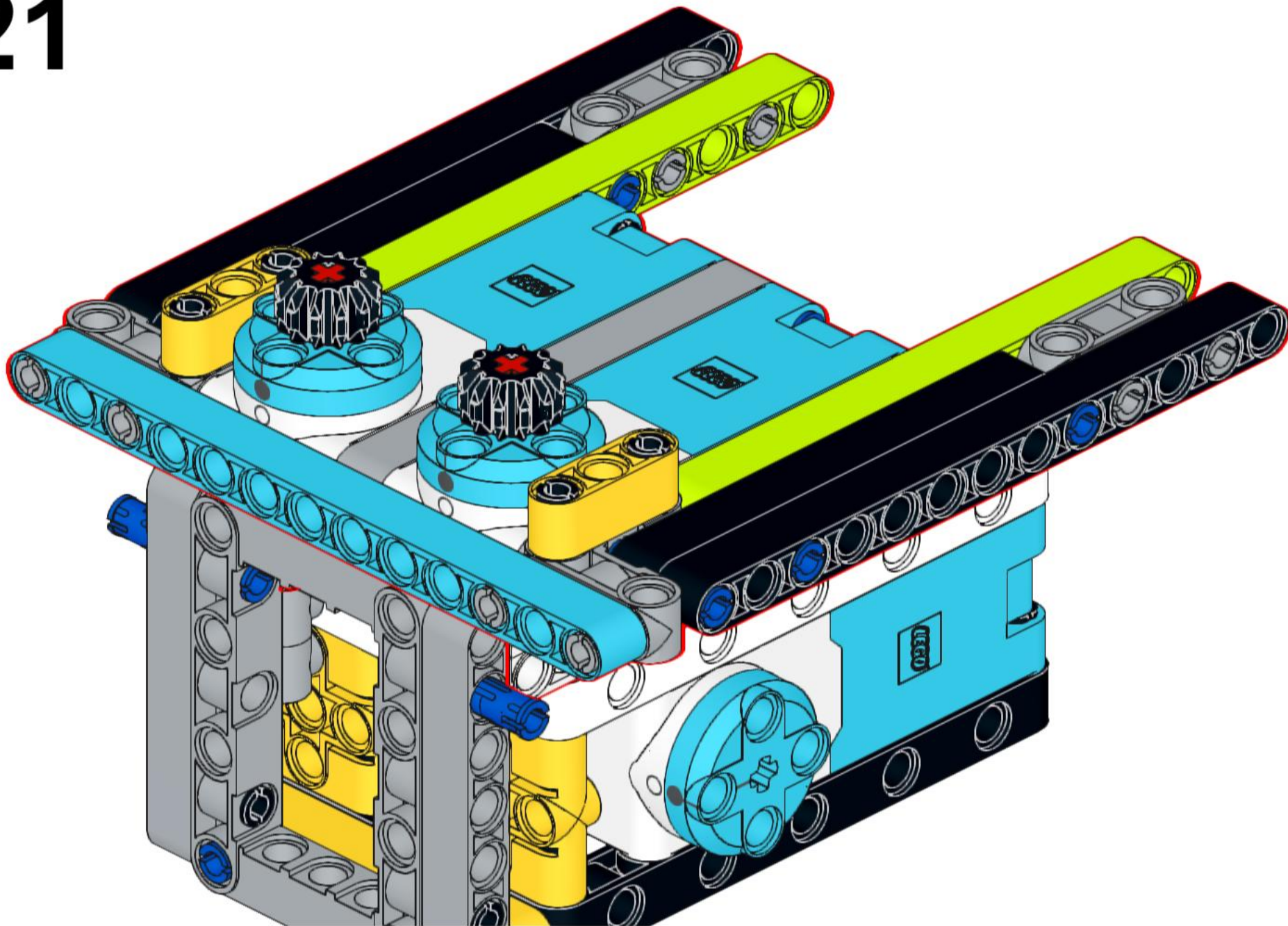
# 19



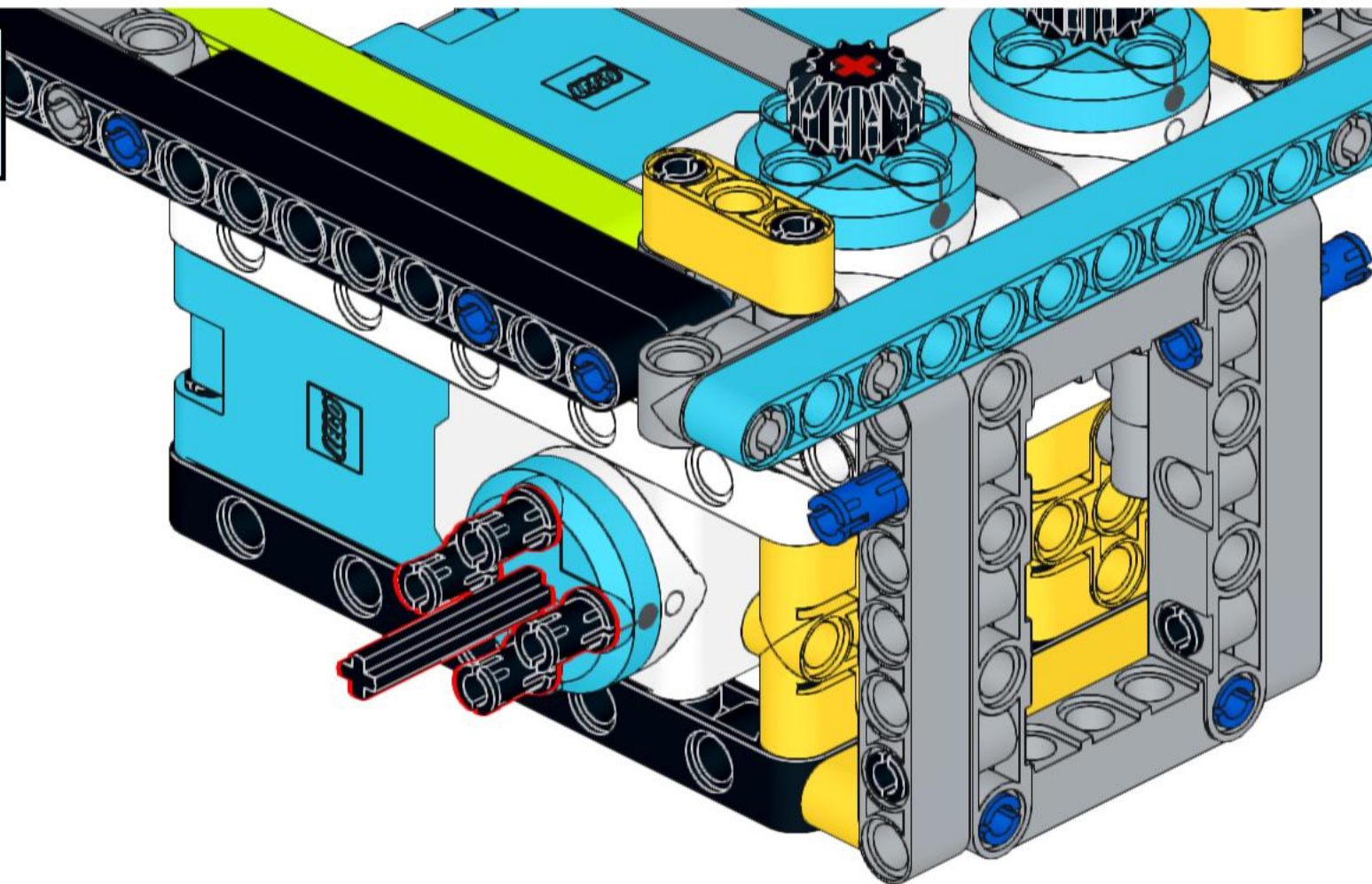
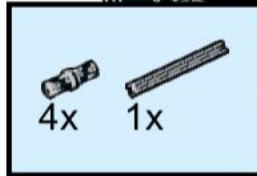
# 20



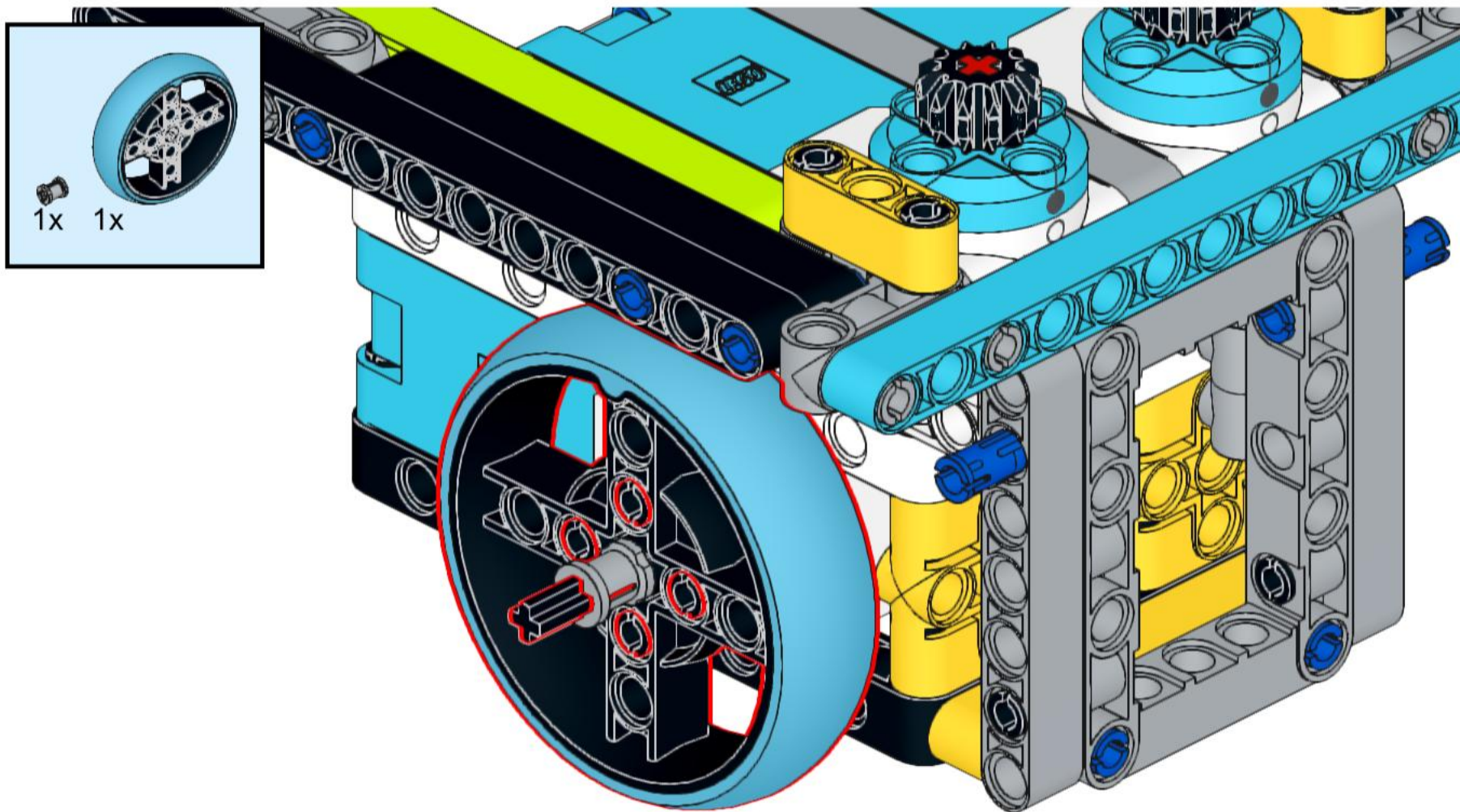
# 21





# 22

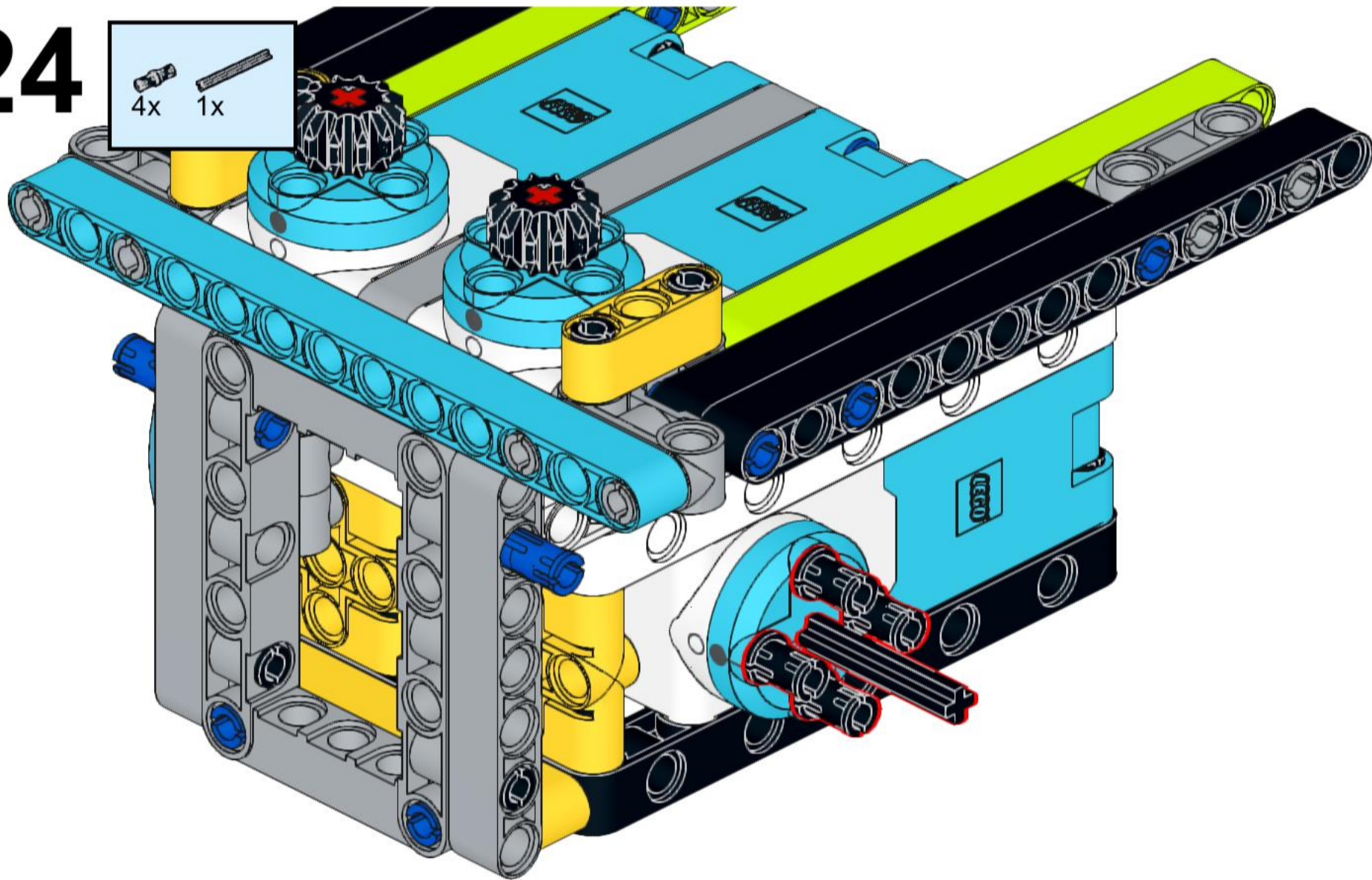


# 23



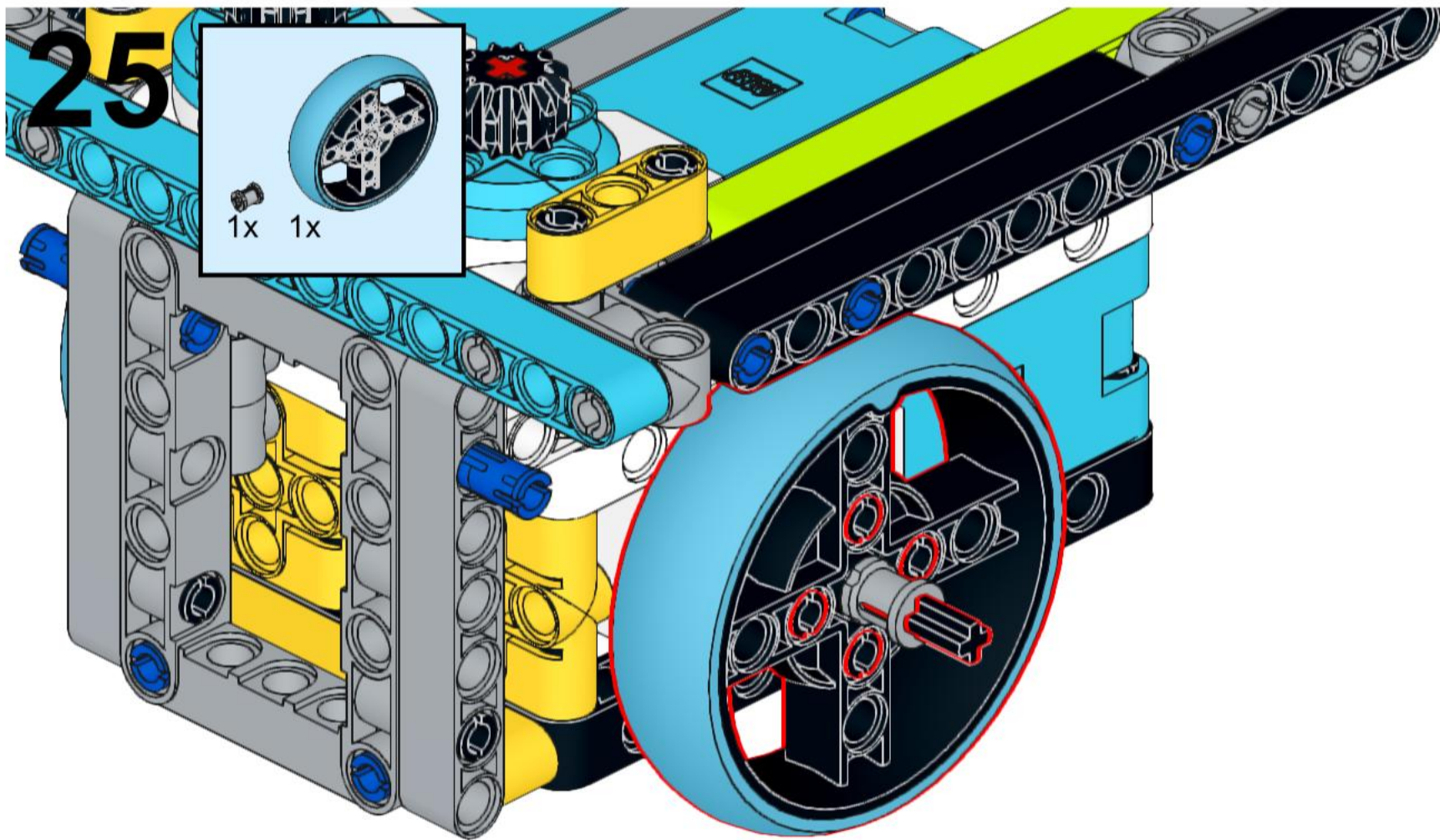
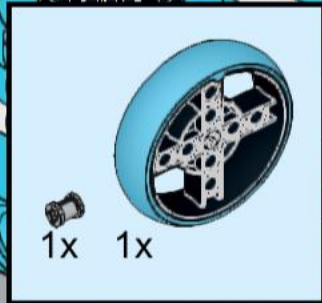
# 24

4x  1x 

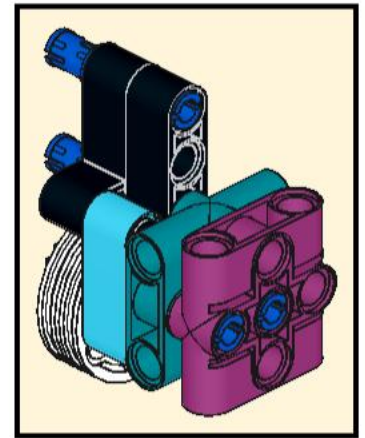
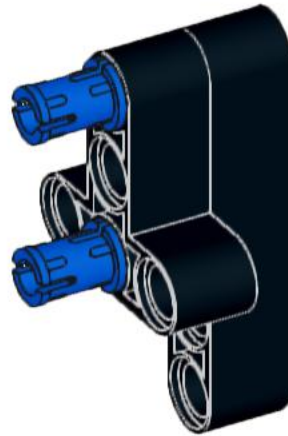
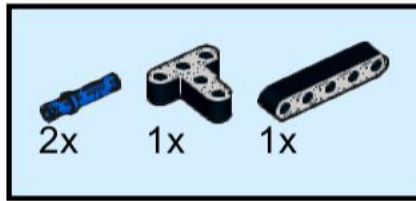




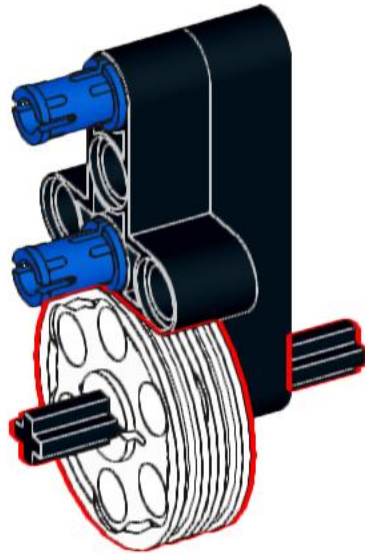
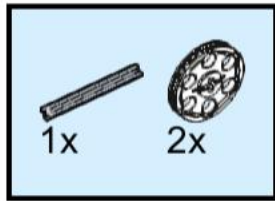
25



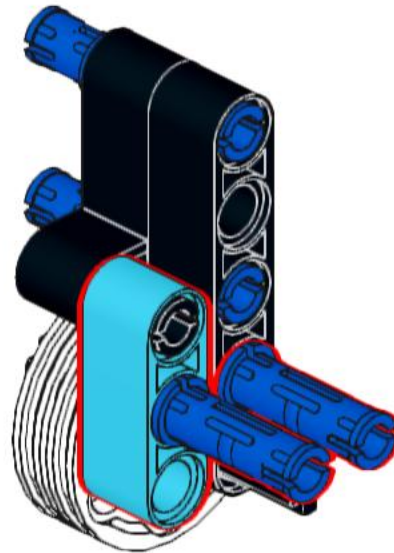
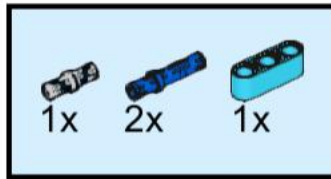
# 26



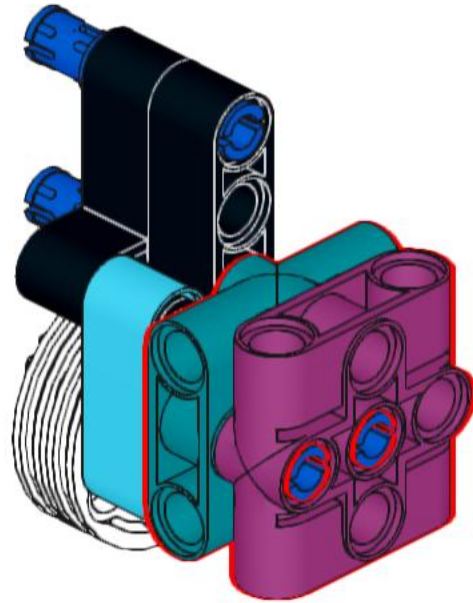
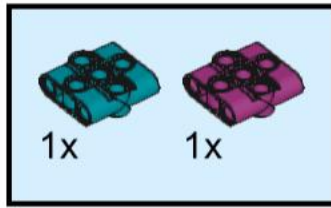
# 27



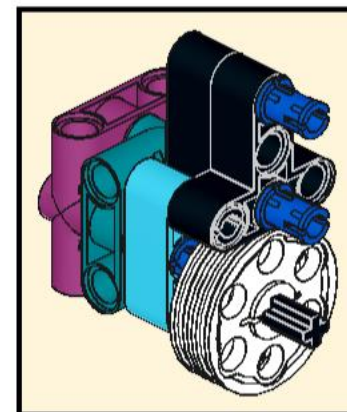
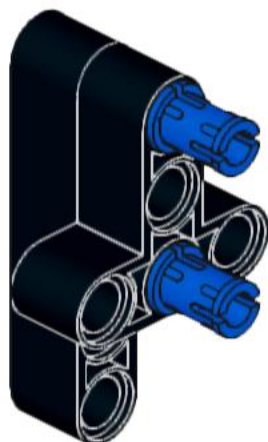
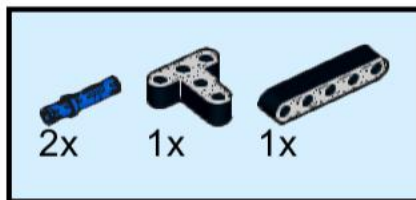
# 28



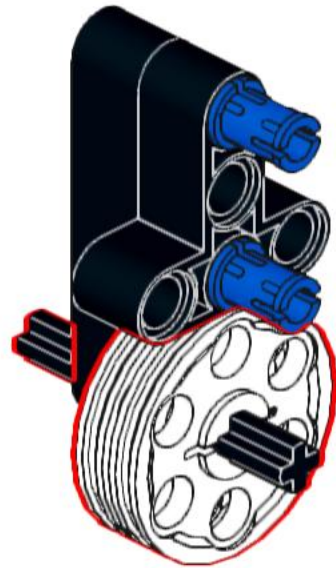
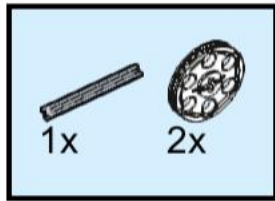
# 29



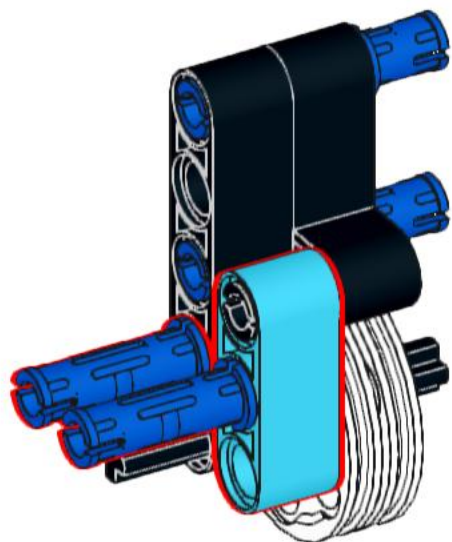
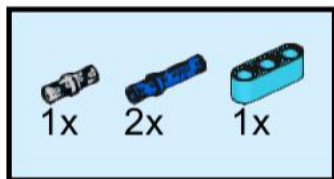
# 30



# 31

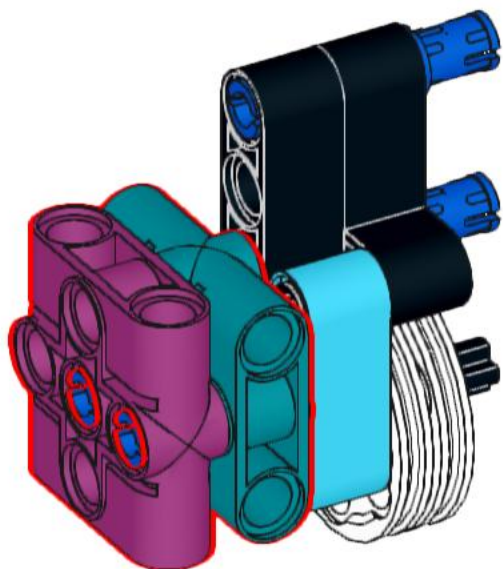
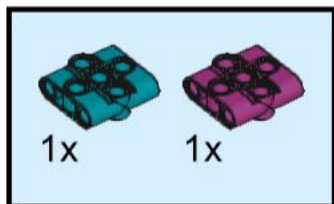


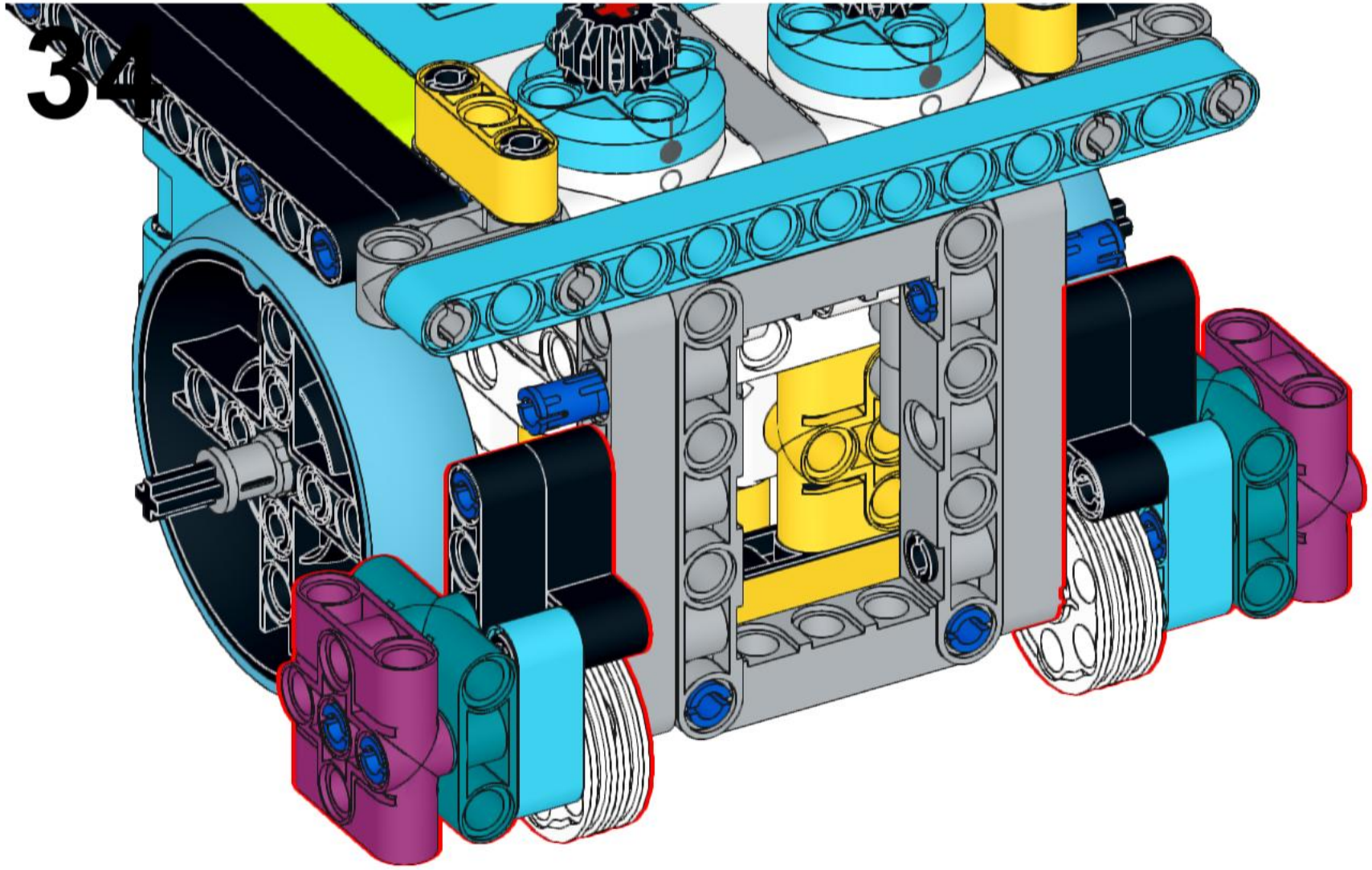
# 32







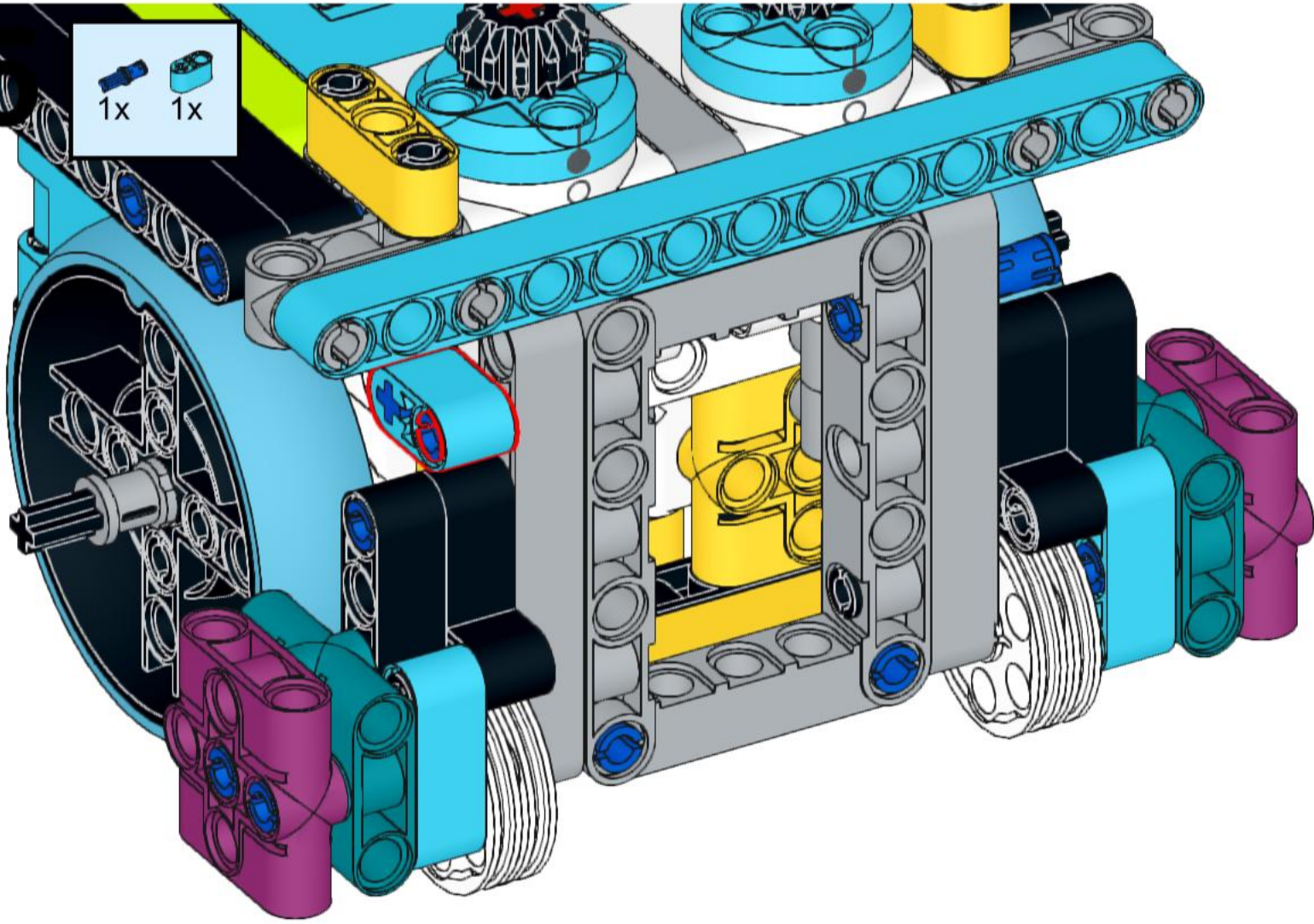
# 33







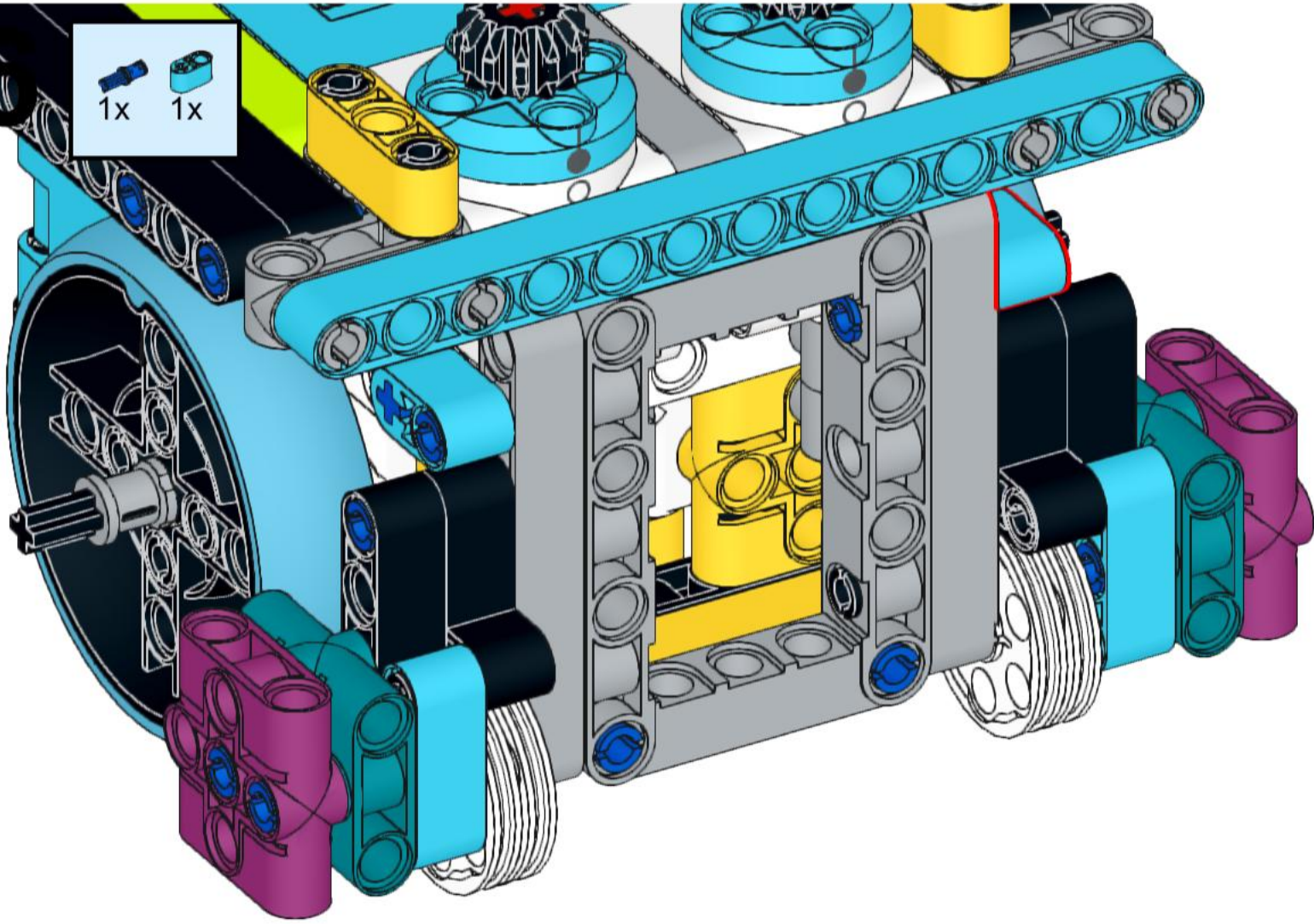
33

	
1x	1x

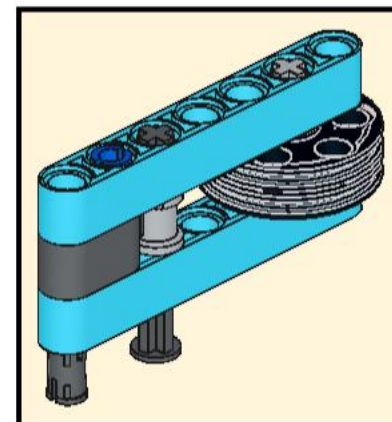
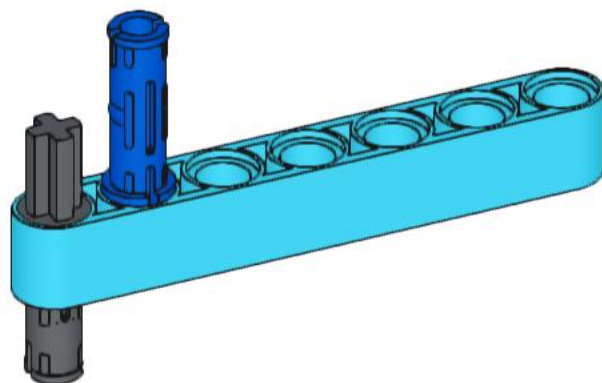
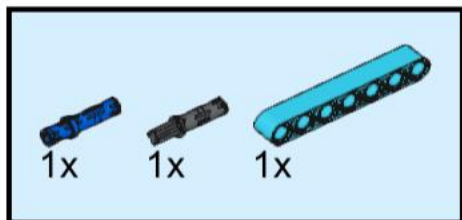


30

	
1x	1x

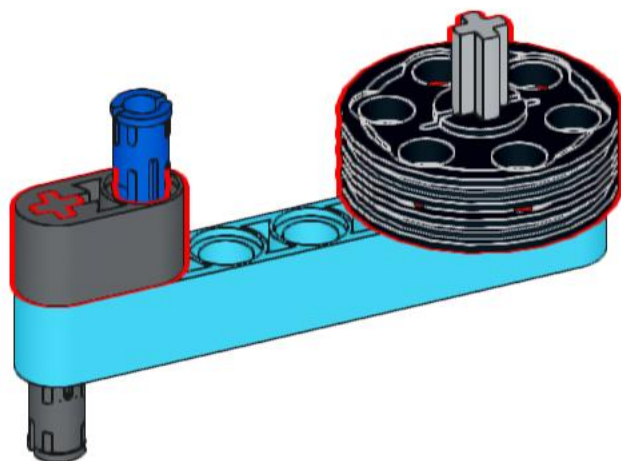
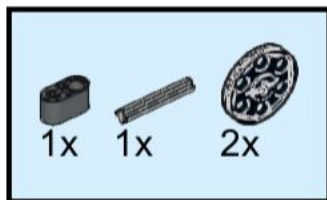


# 37

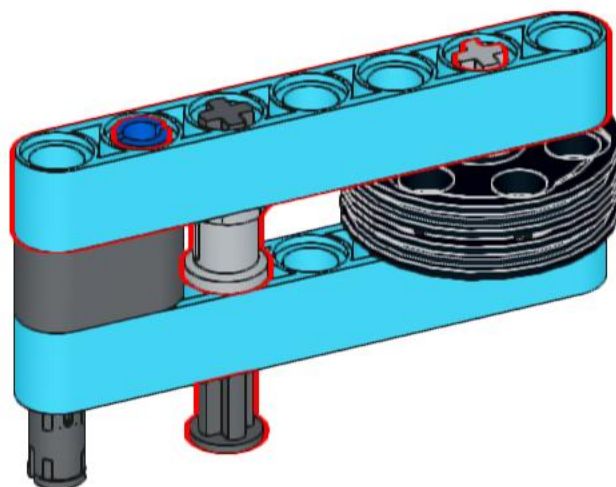
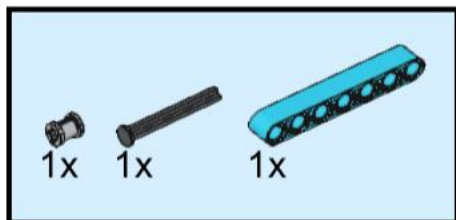


2x

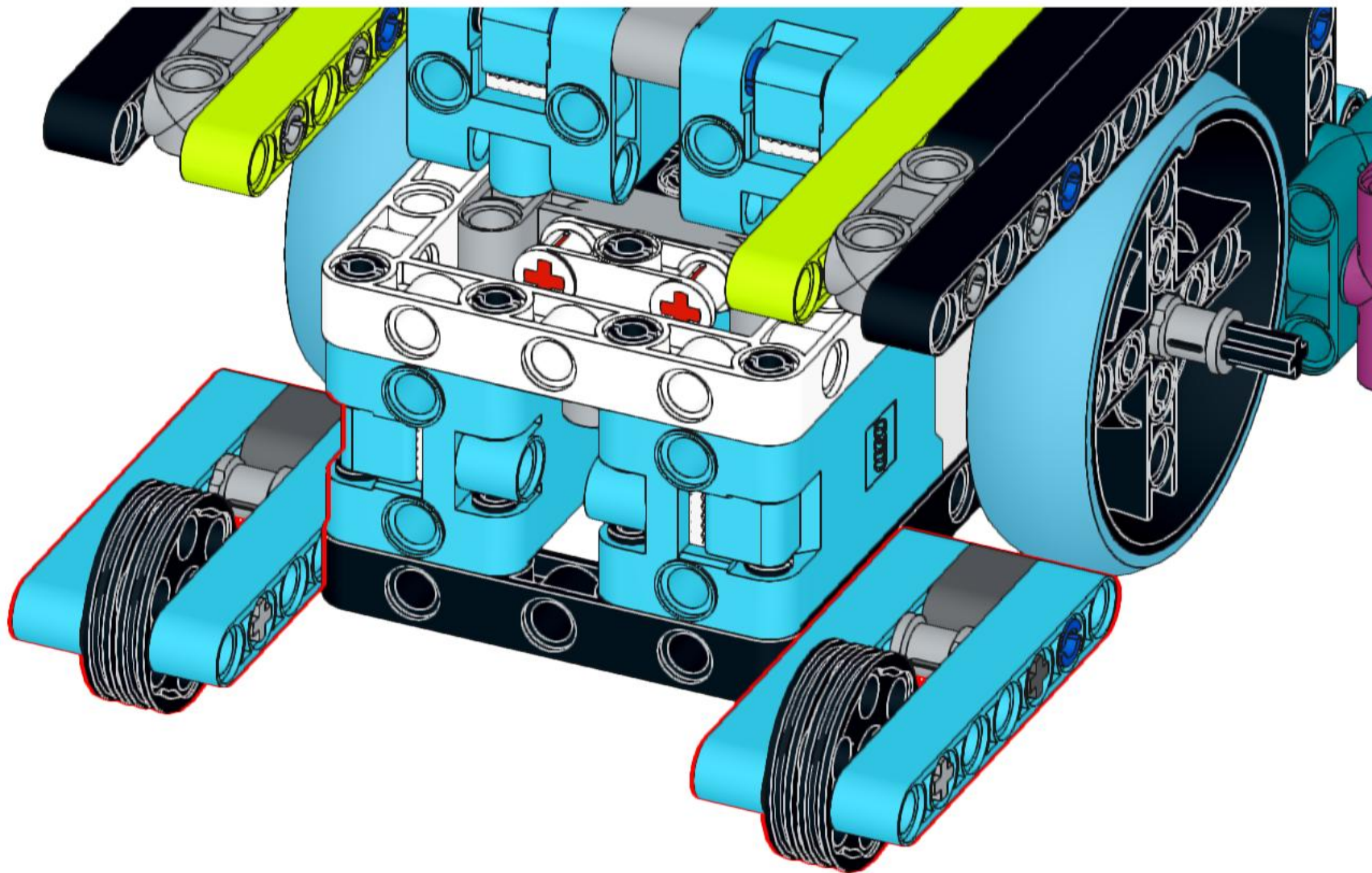
# 38



# 39

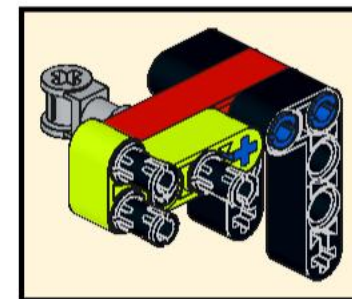
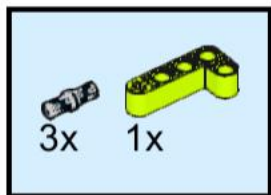


40

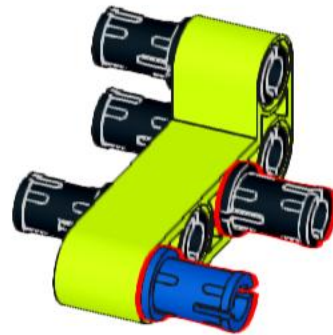
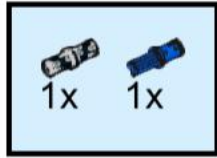




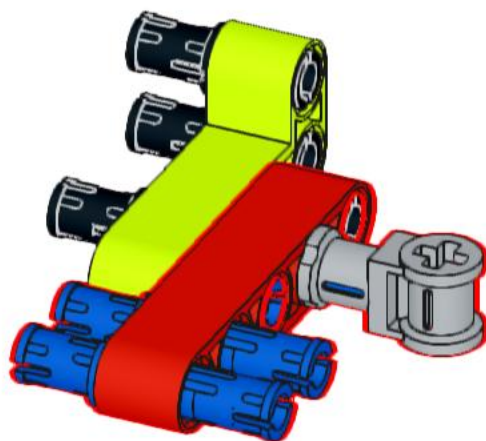
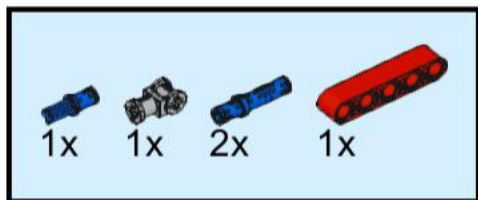
# 41



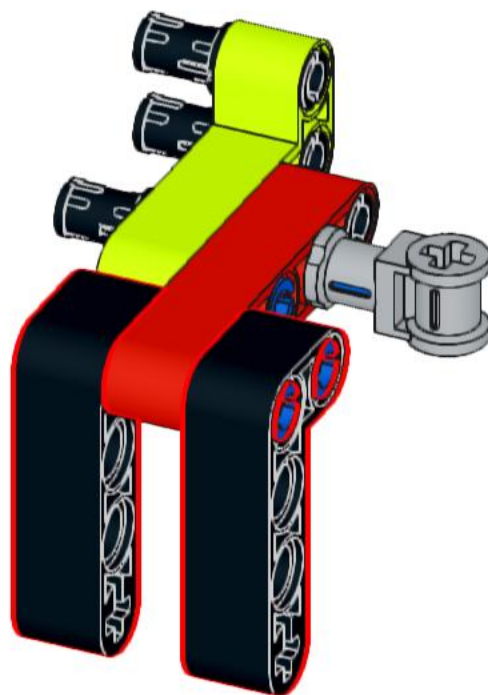
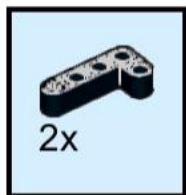
# 42



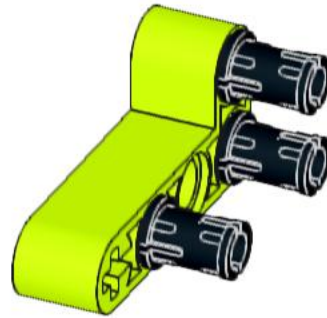
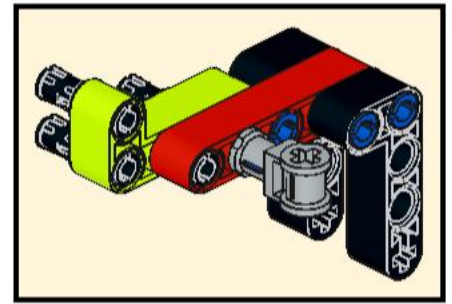
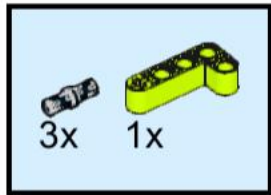
# 43



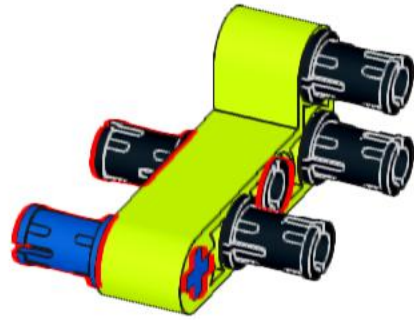
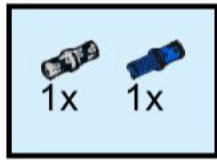
44



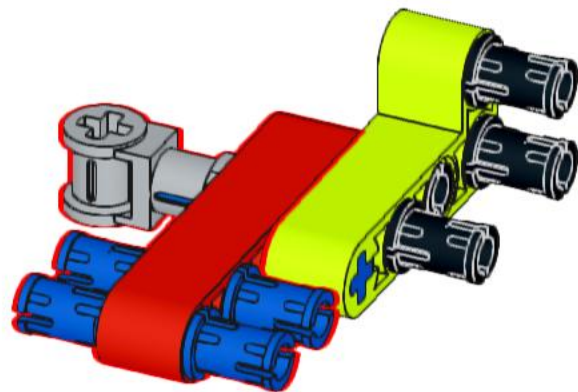
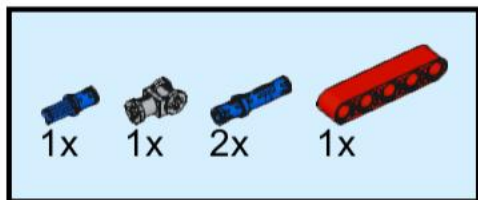
# 45



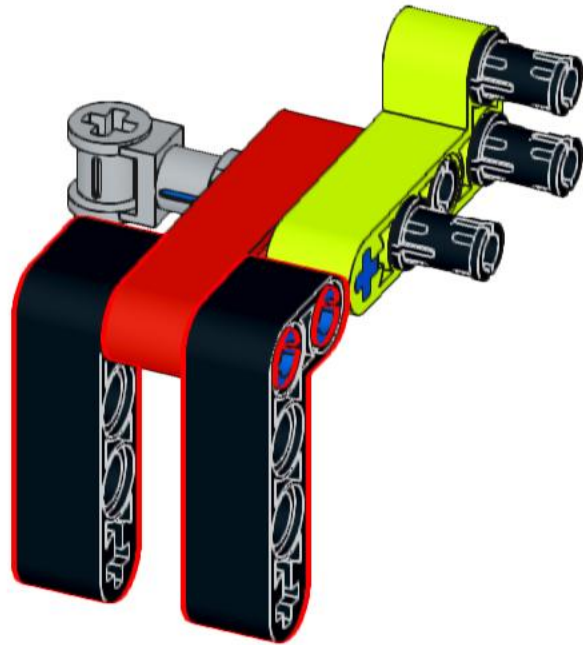
# 46



# 47

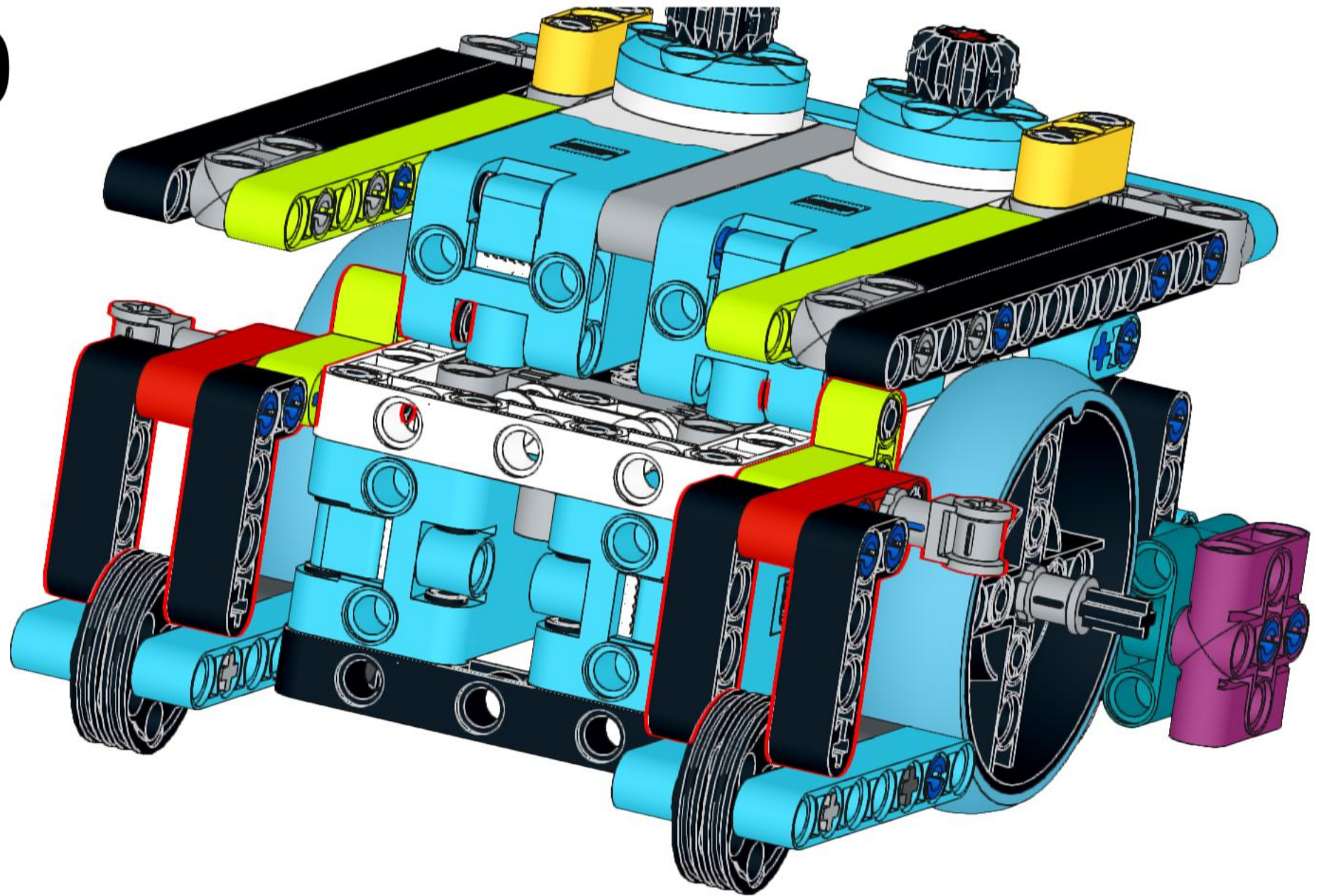


48

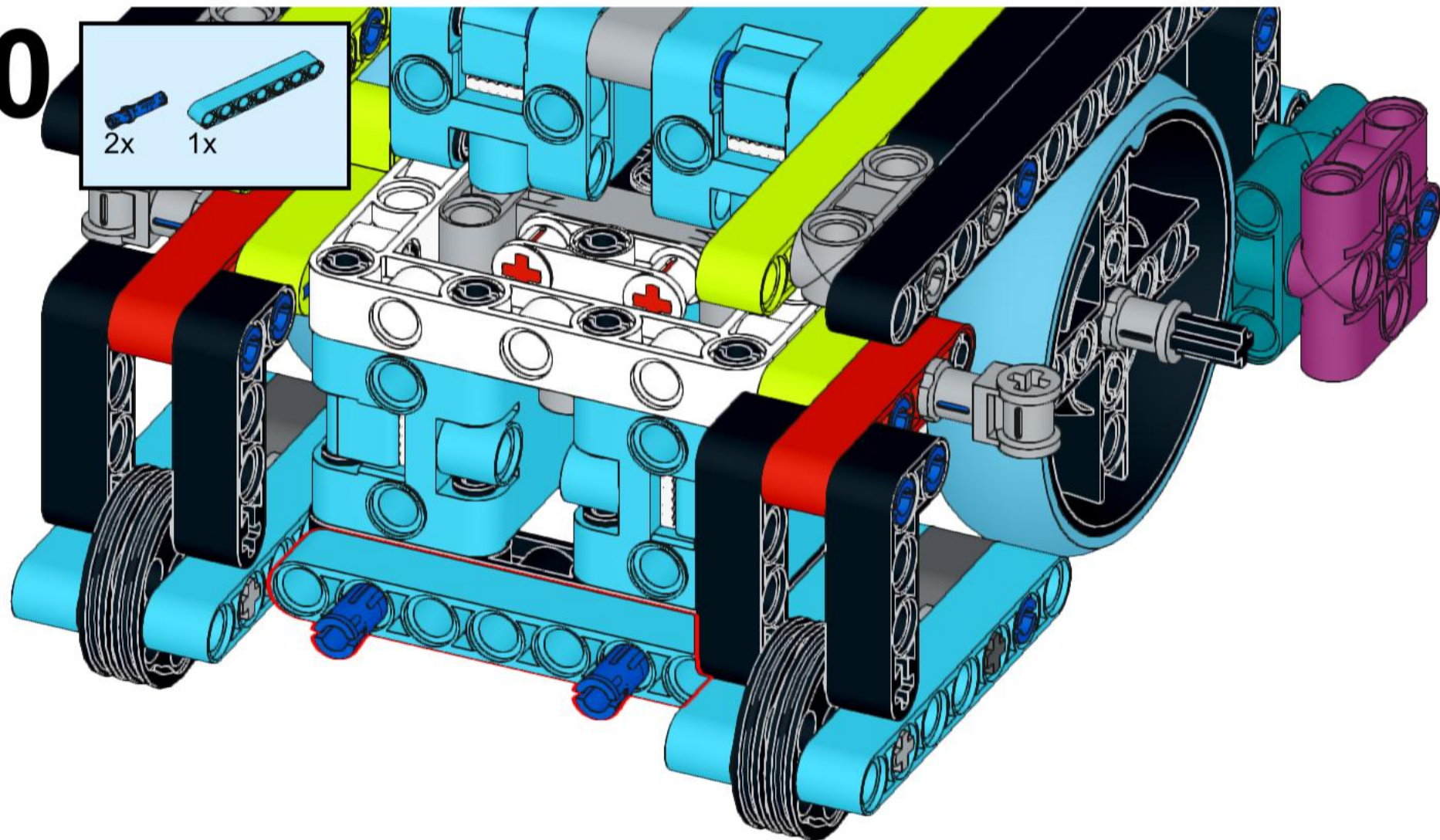
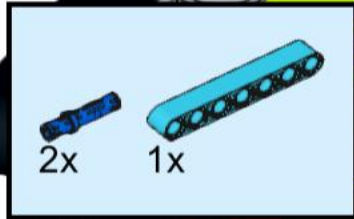




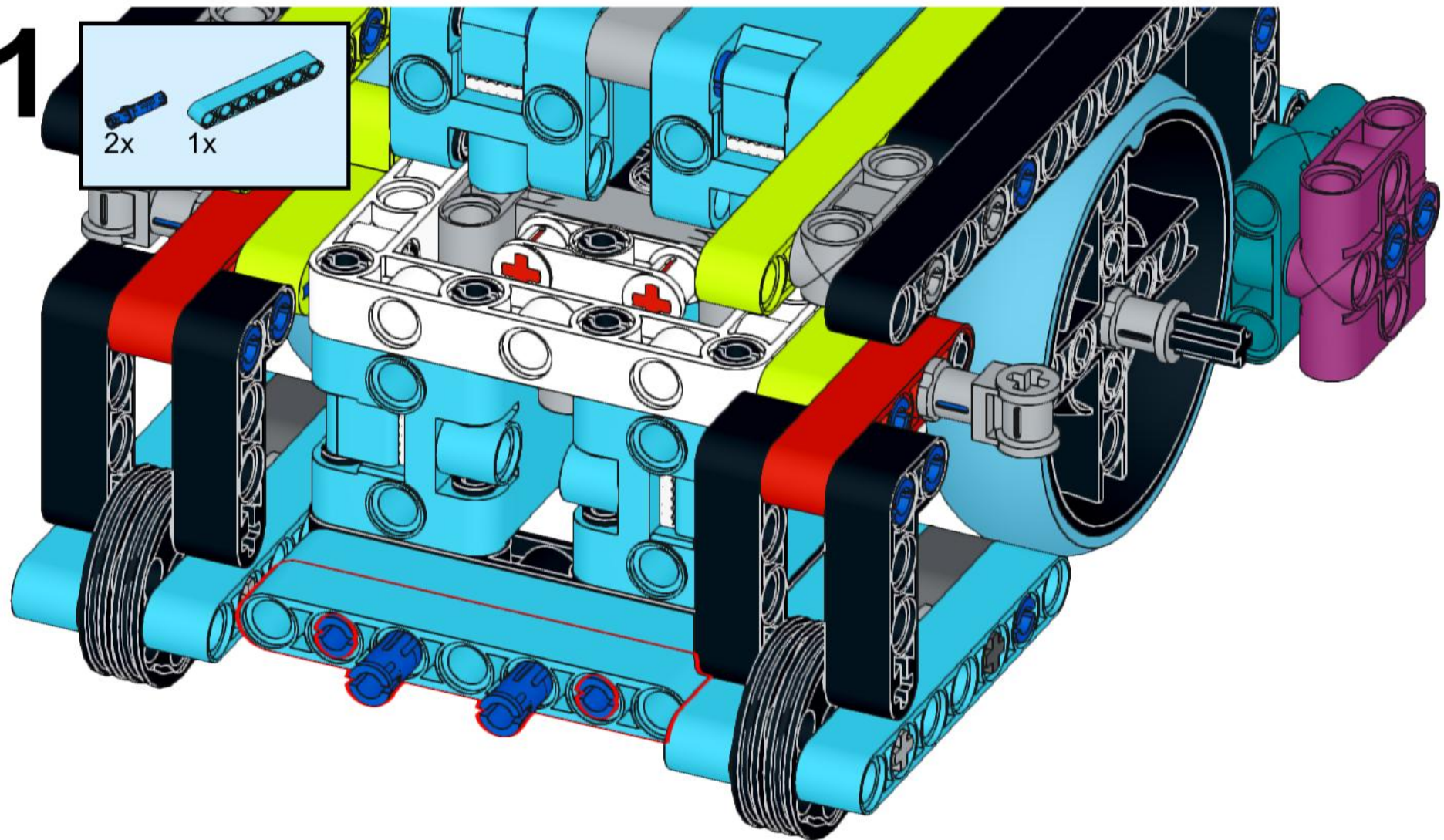
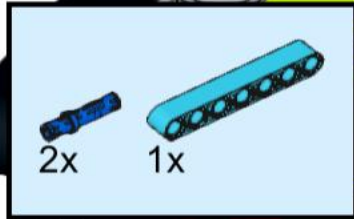
49



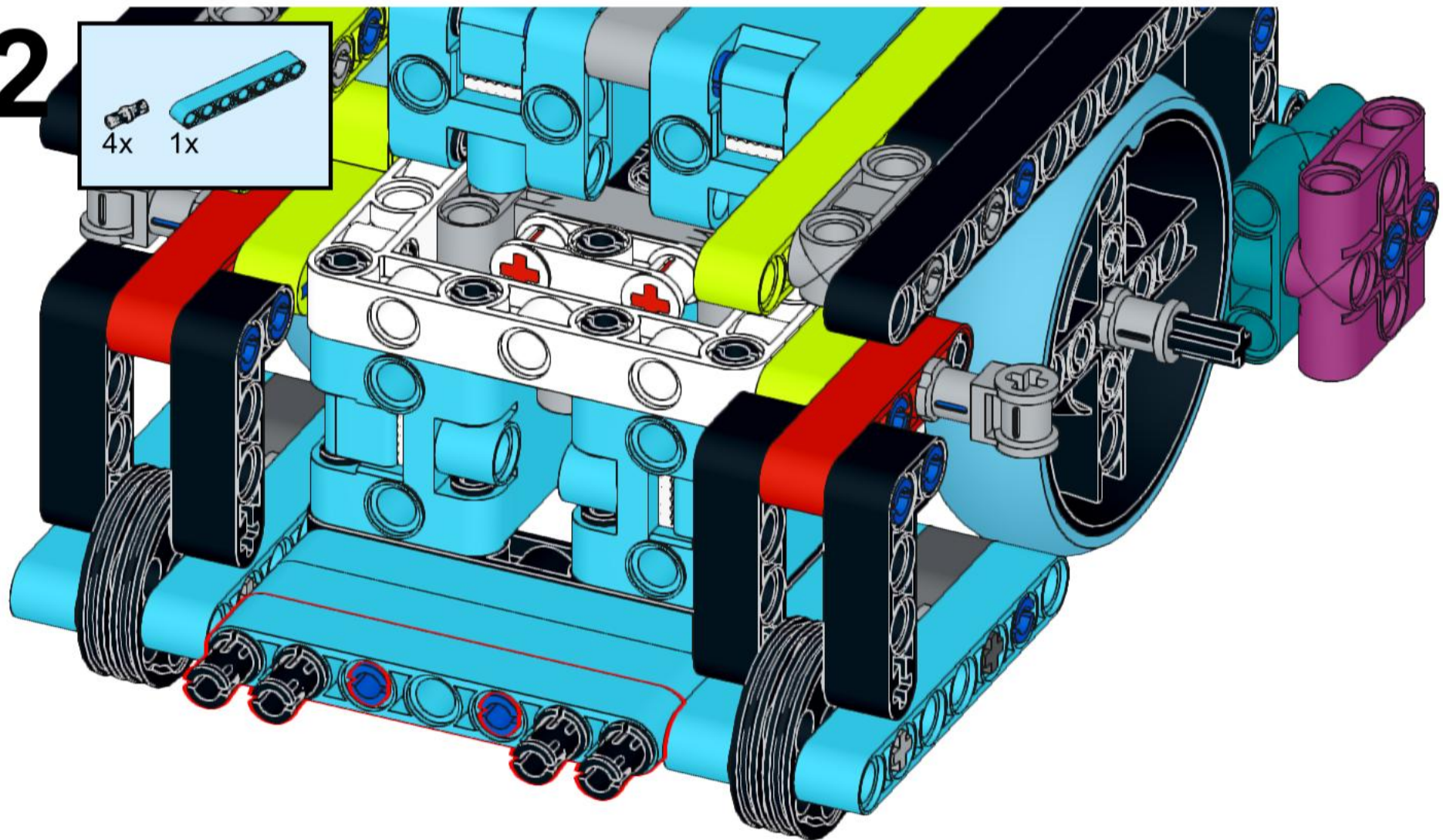
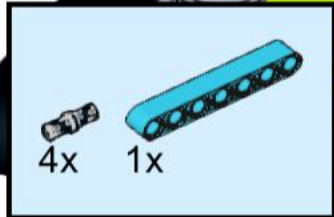
50



# 51

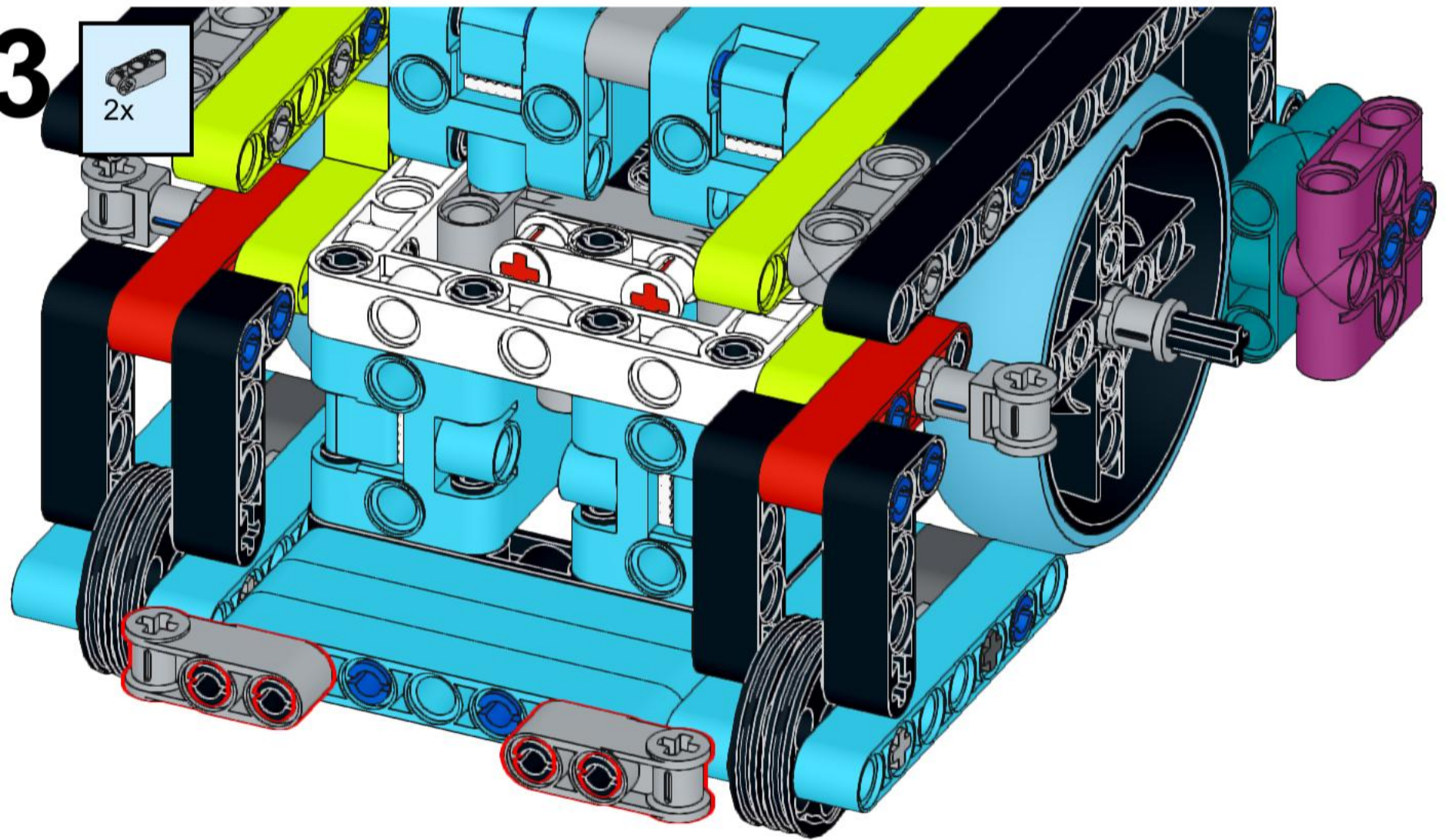


52

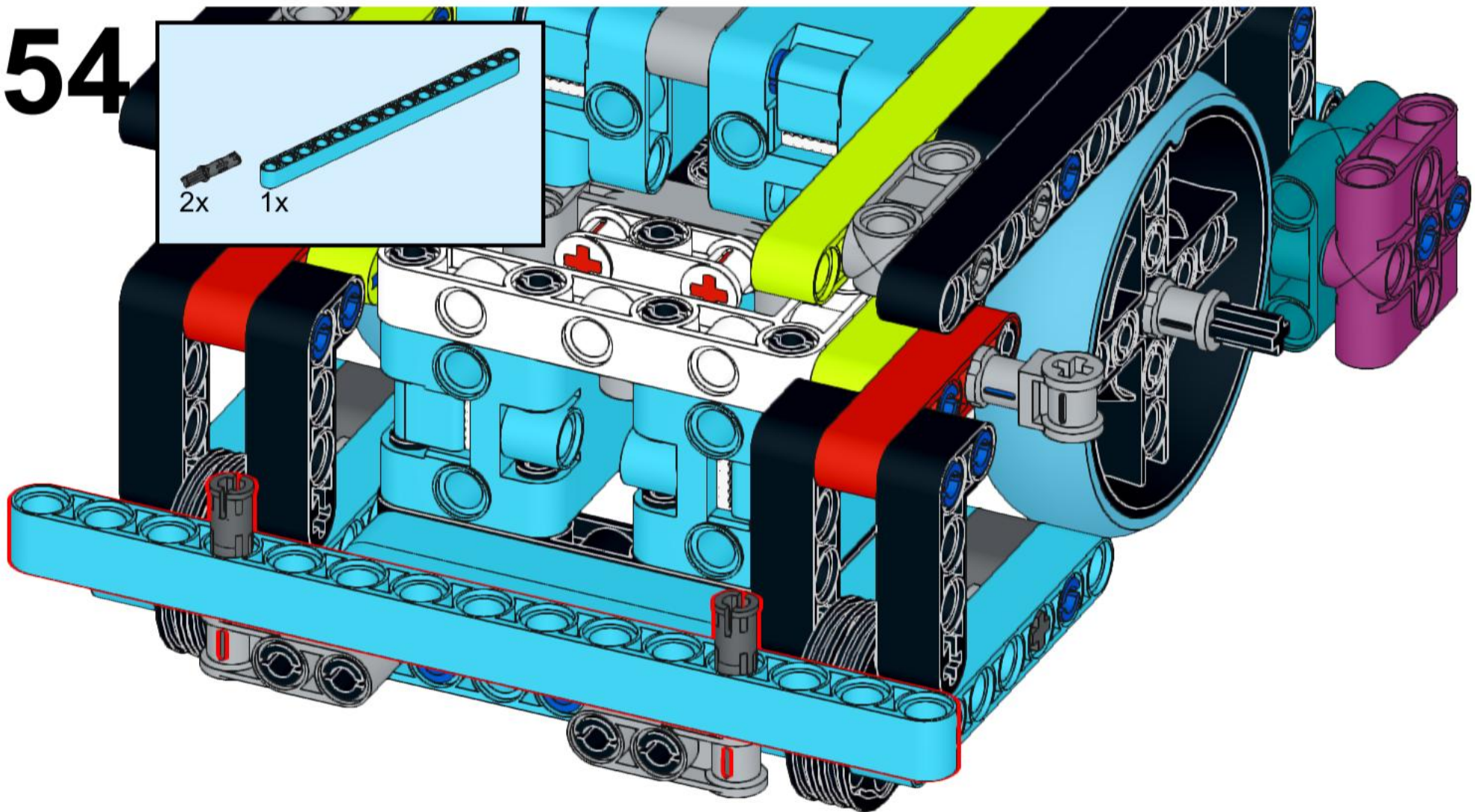
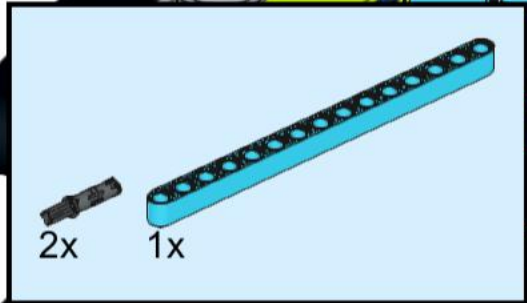


53

2x

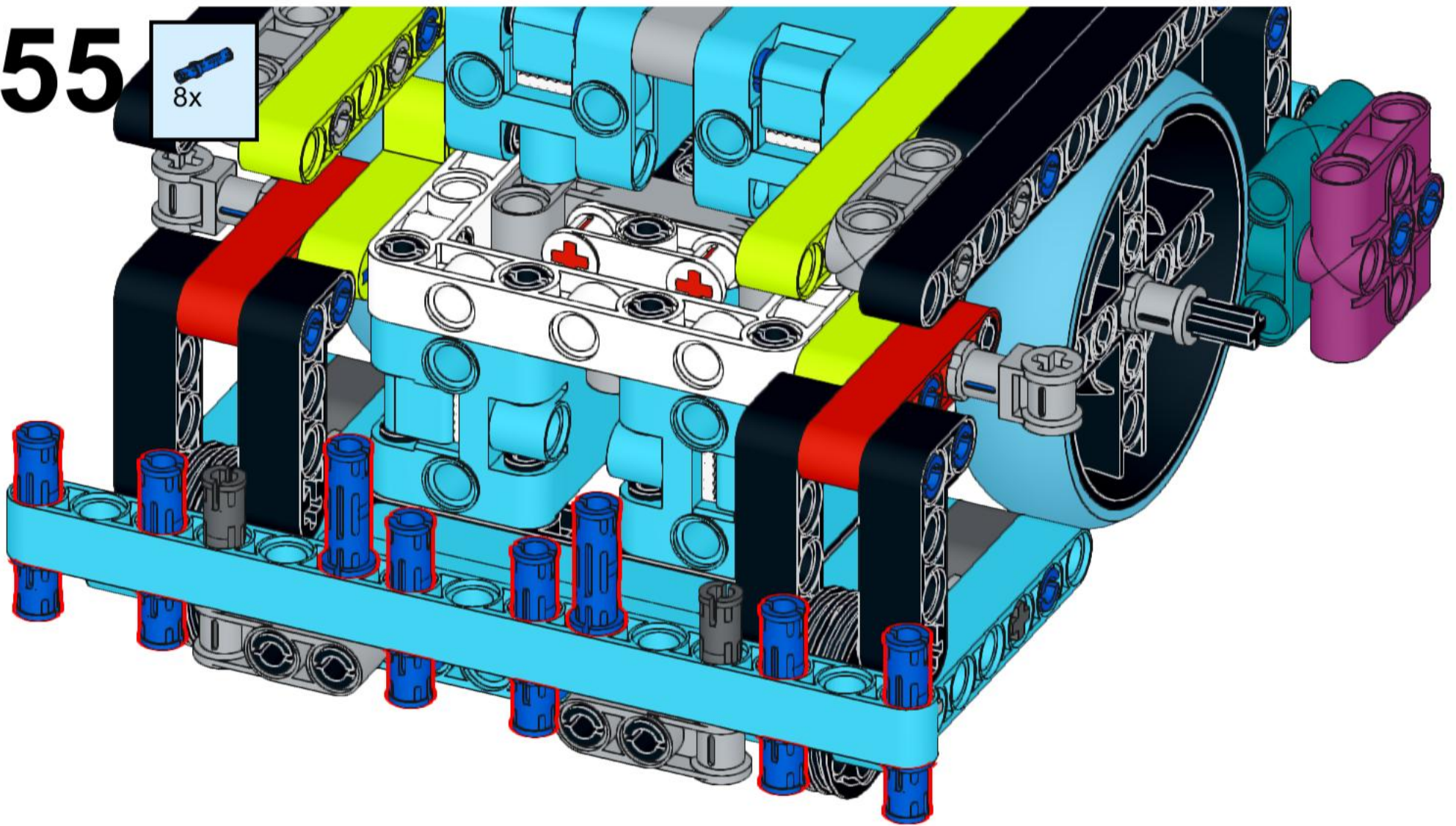


54

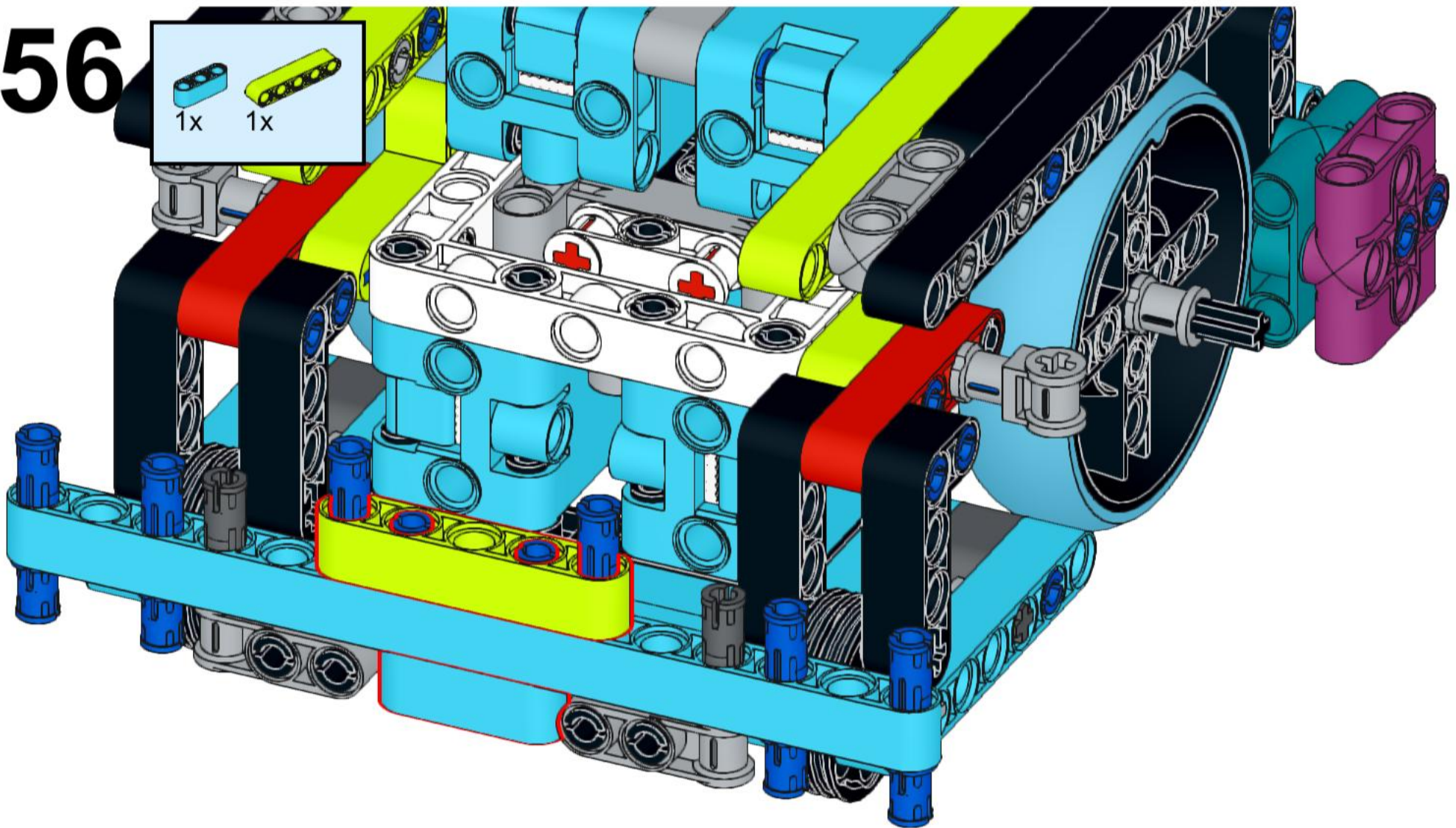
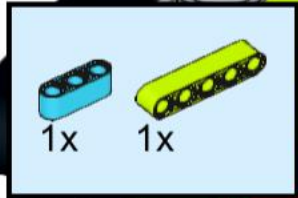


55

8x

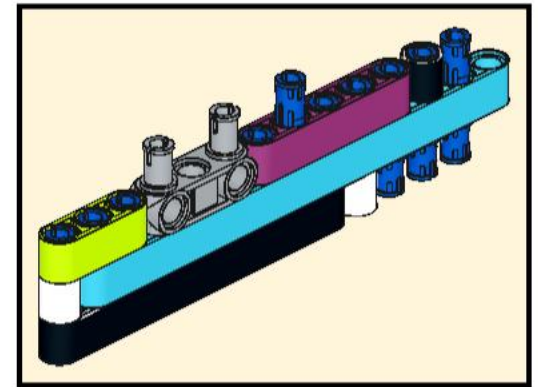
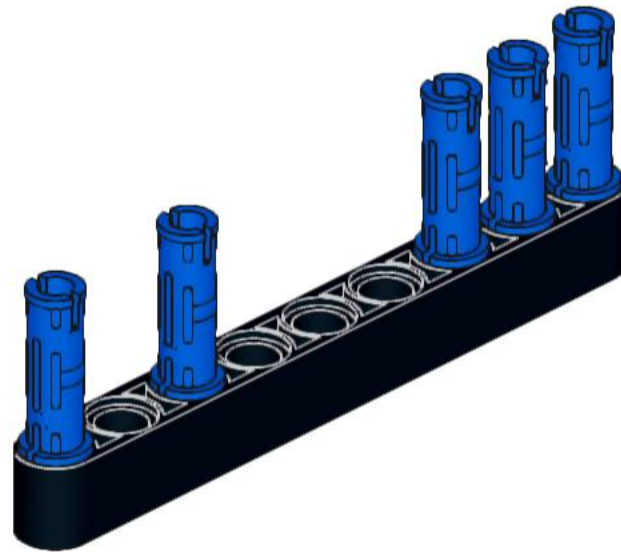
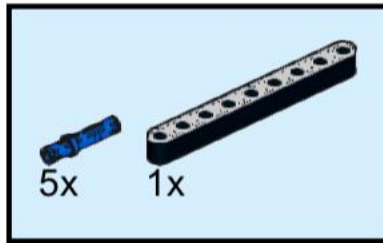


56

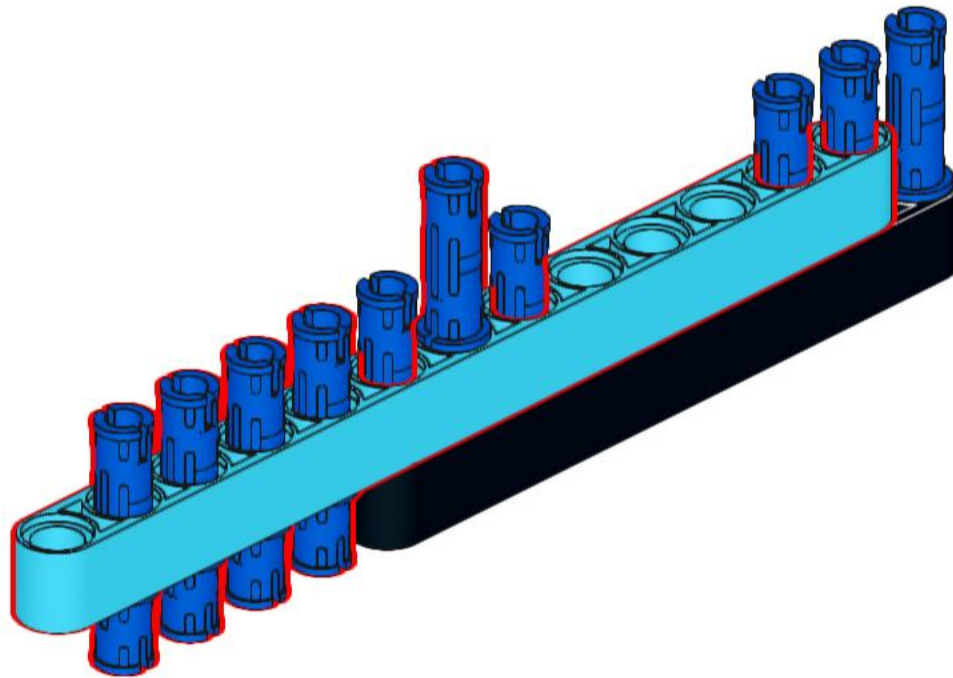
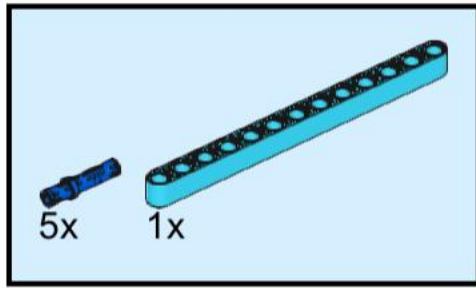




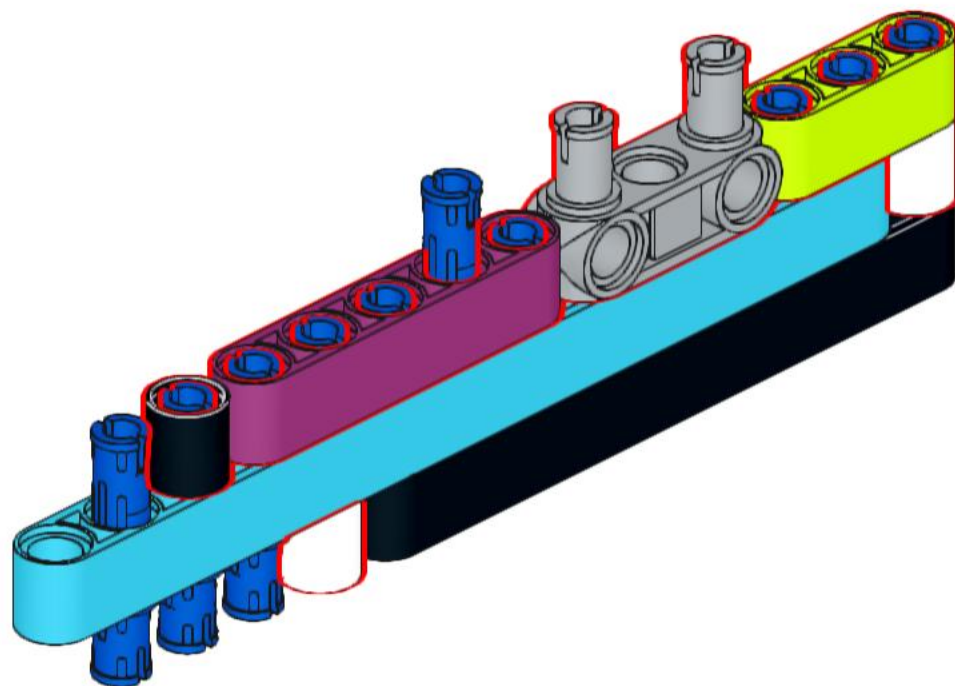
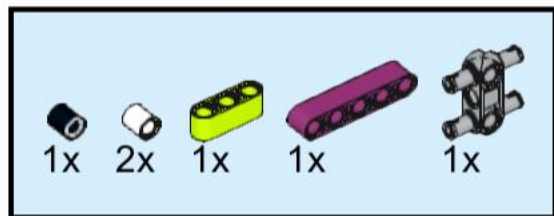
# 57



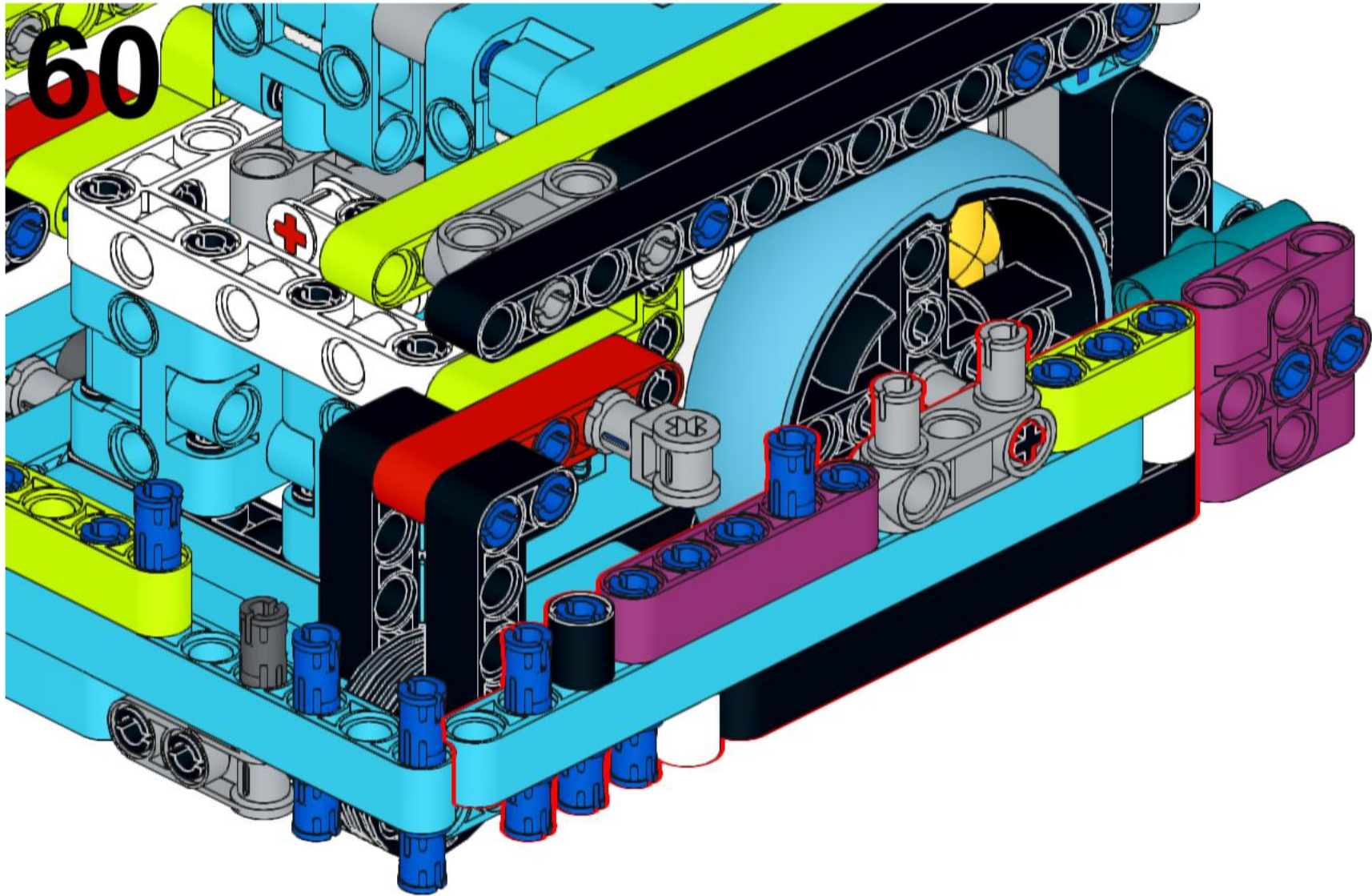
# 58



# 59

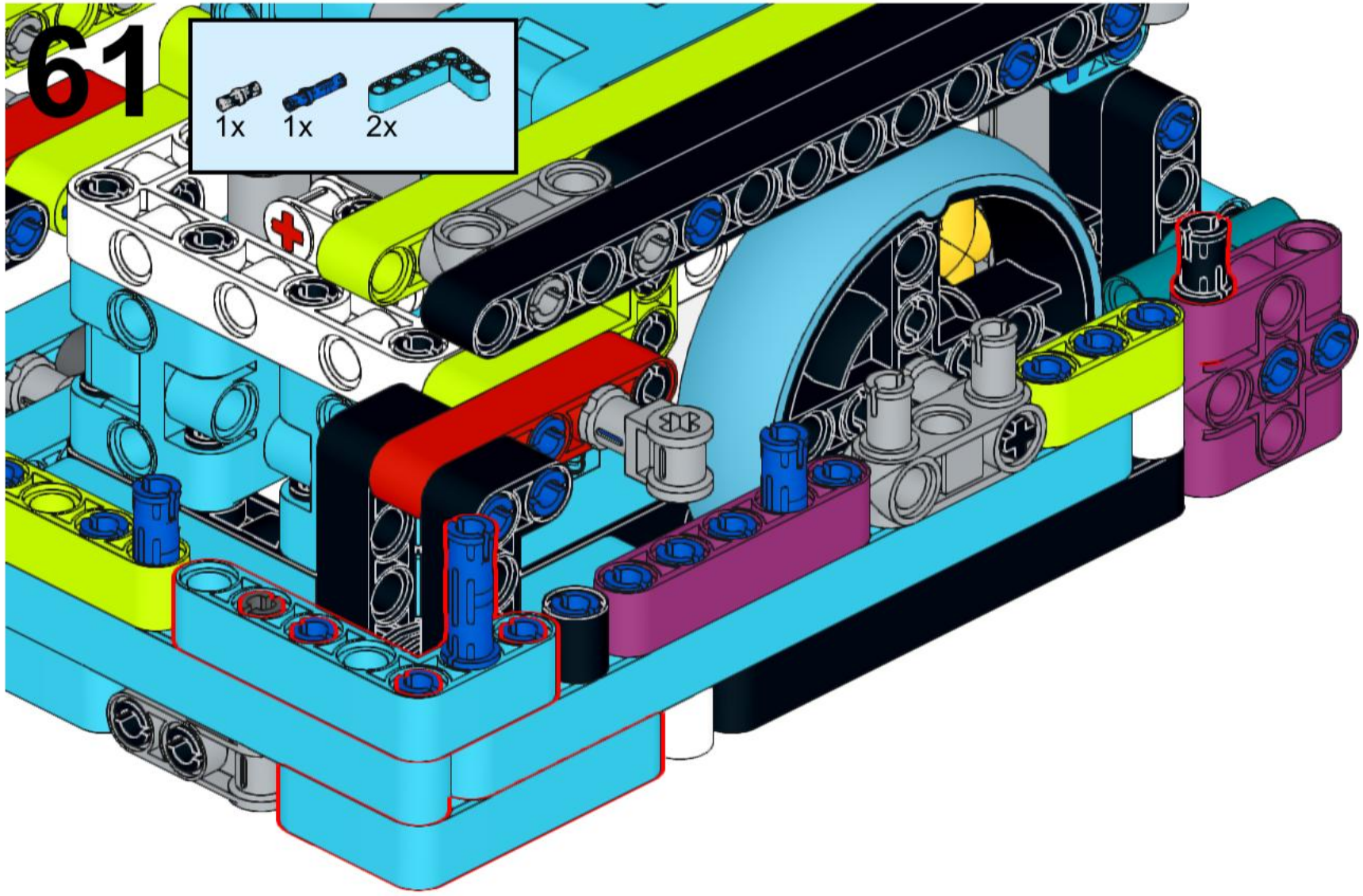
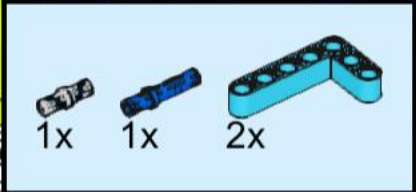


60

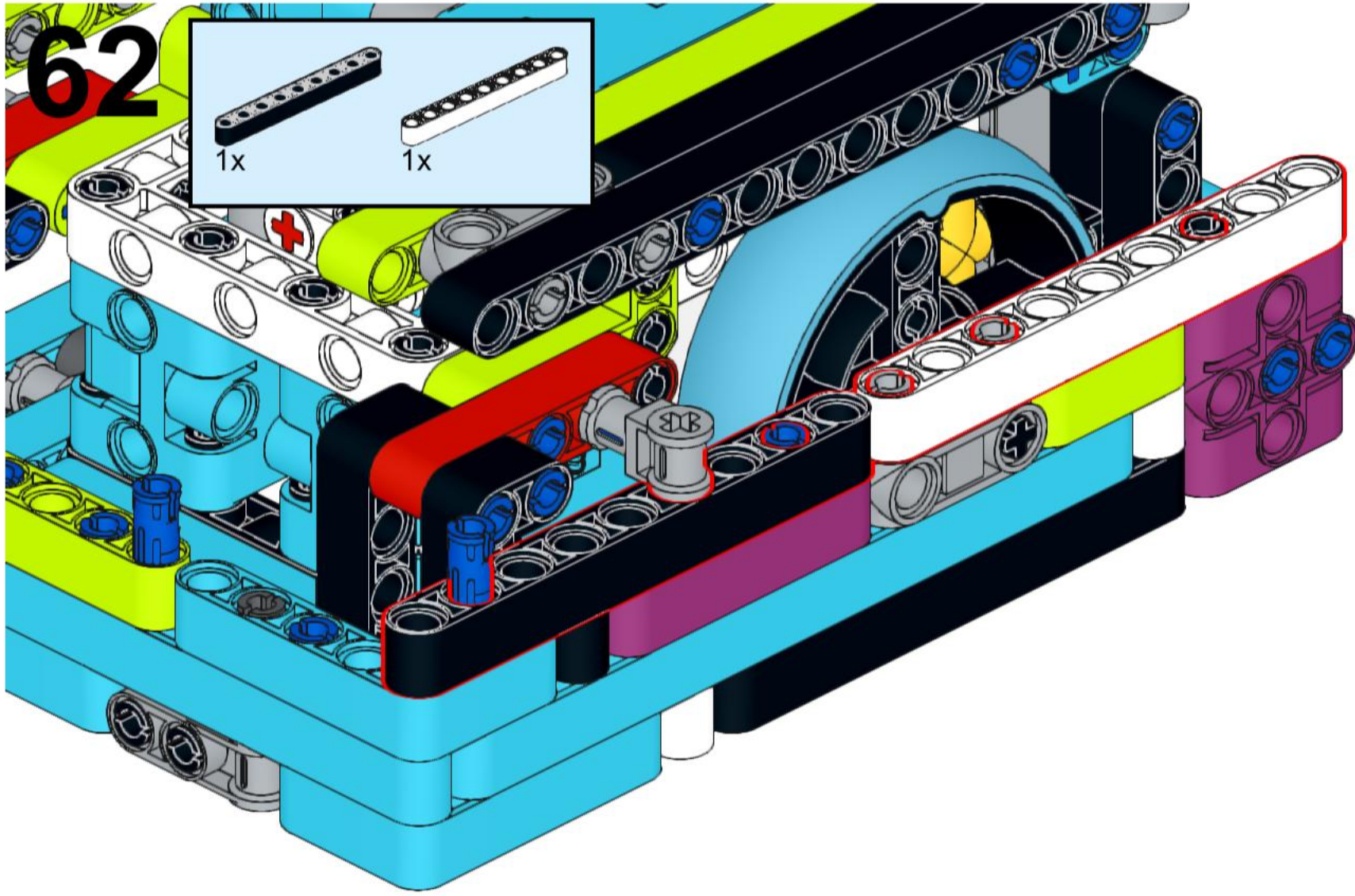
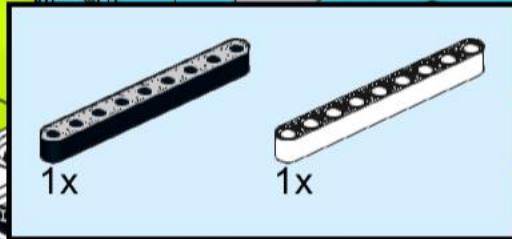


61

1x 1x 2x

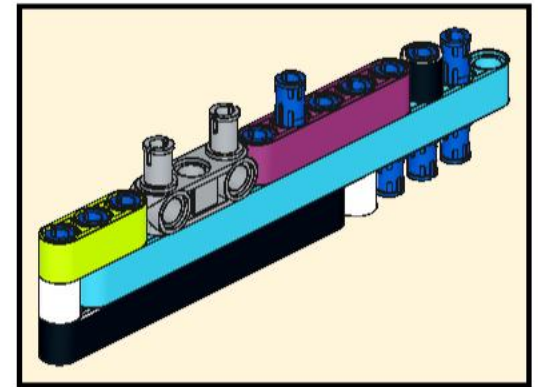
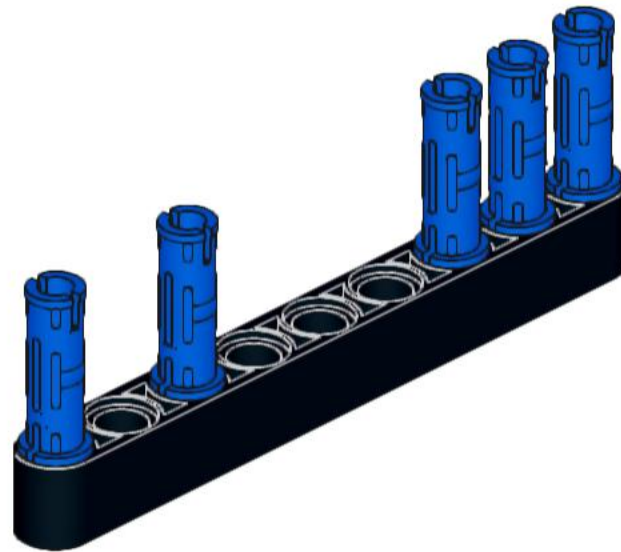
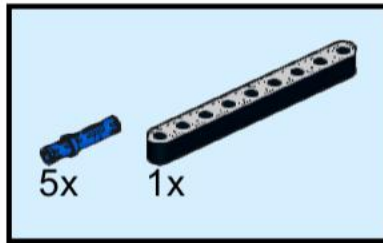


62



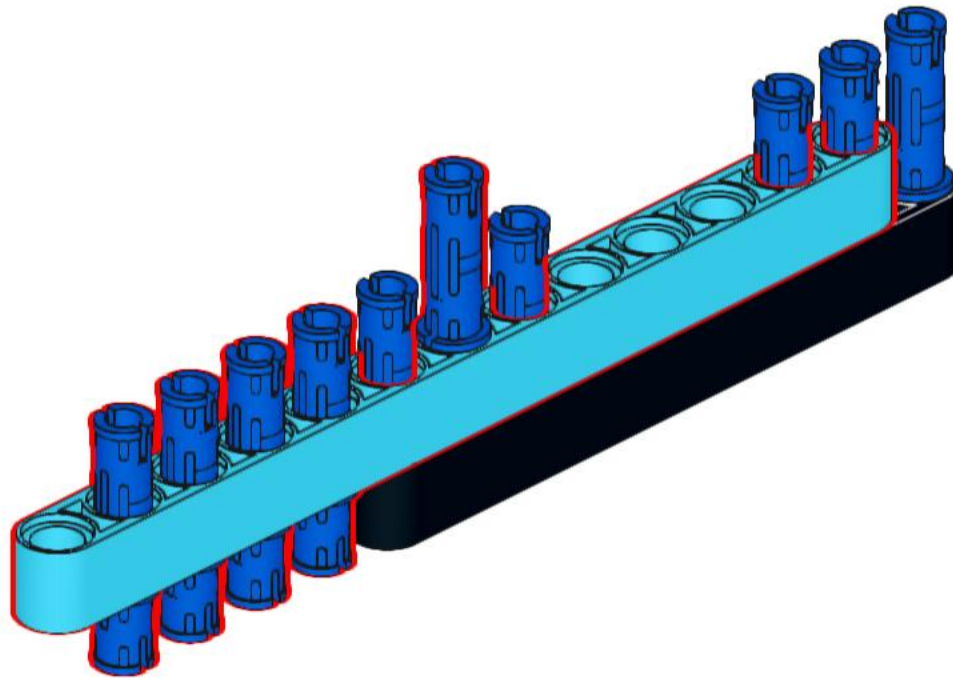
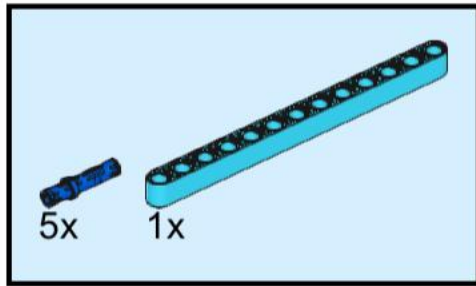


# 64

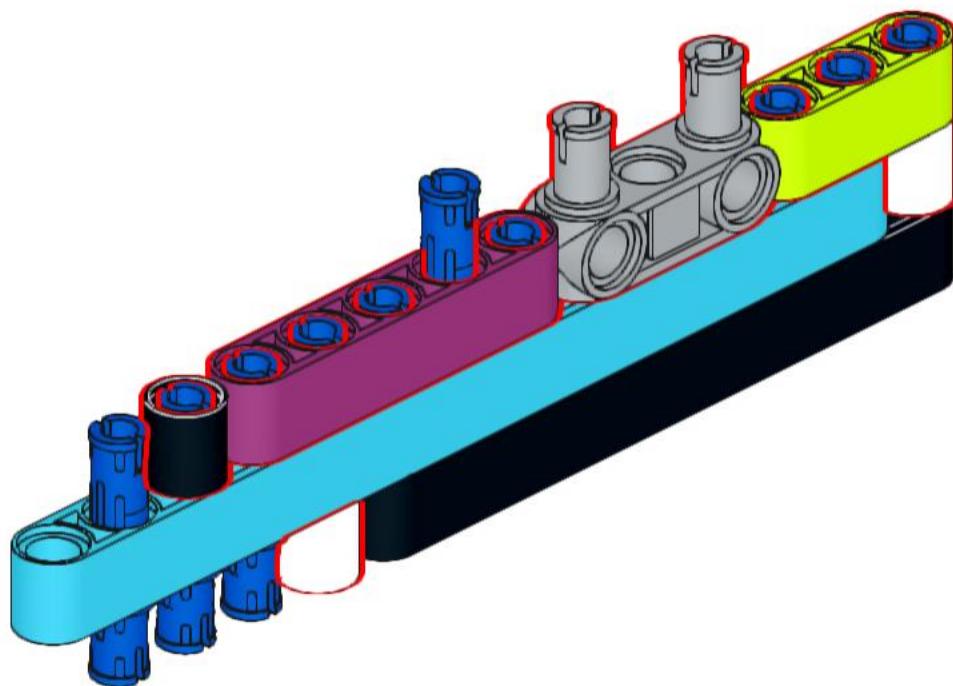
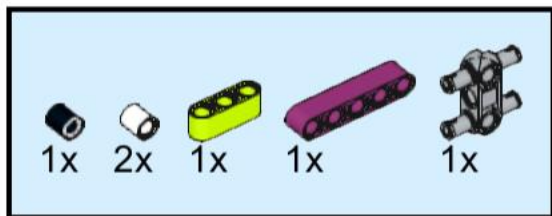




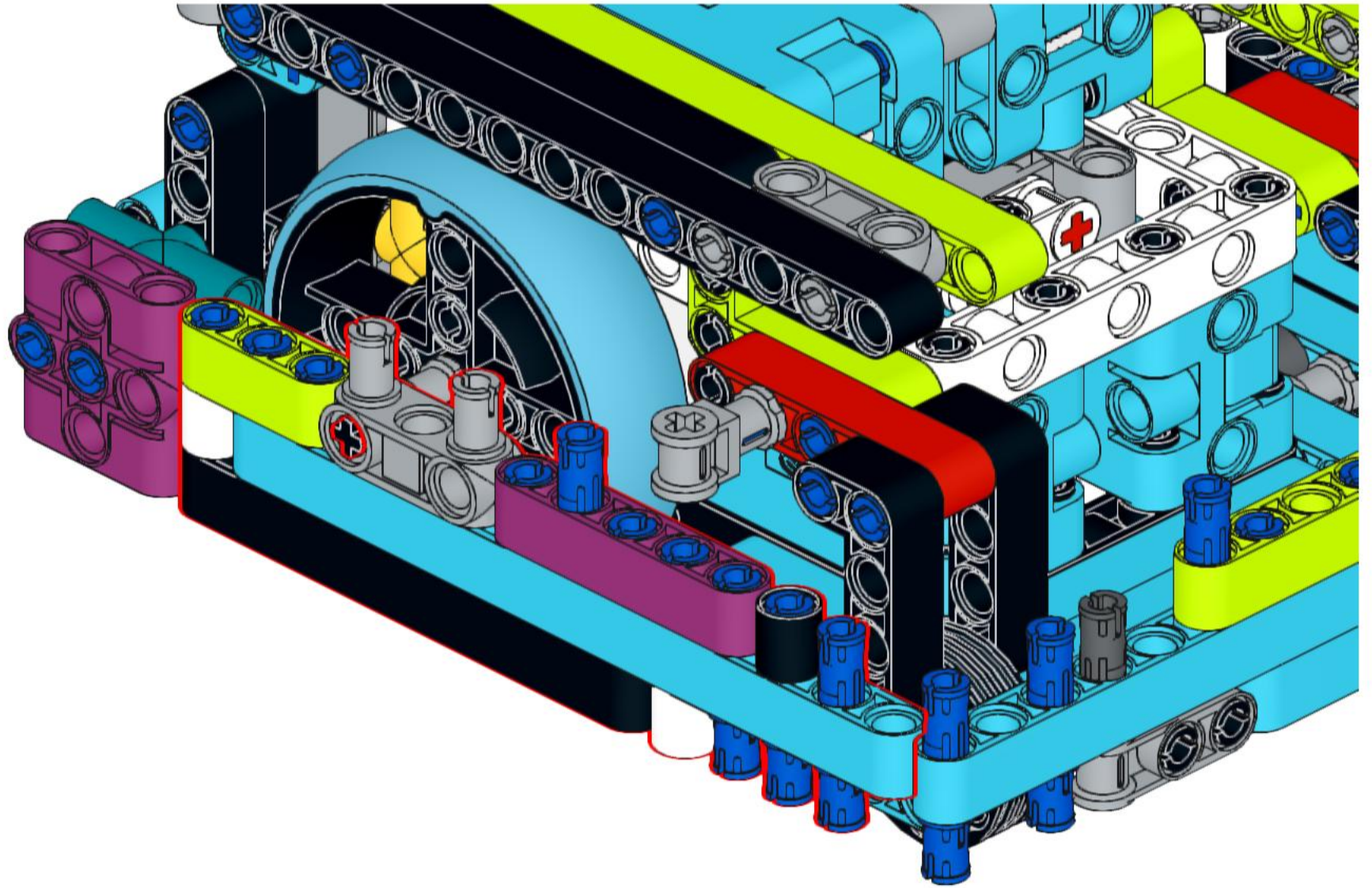
# 65



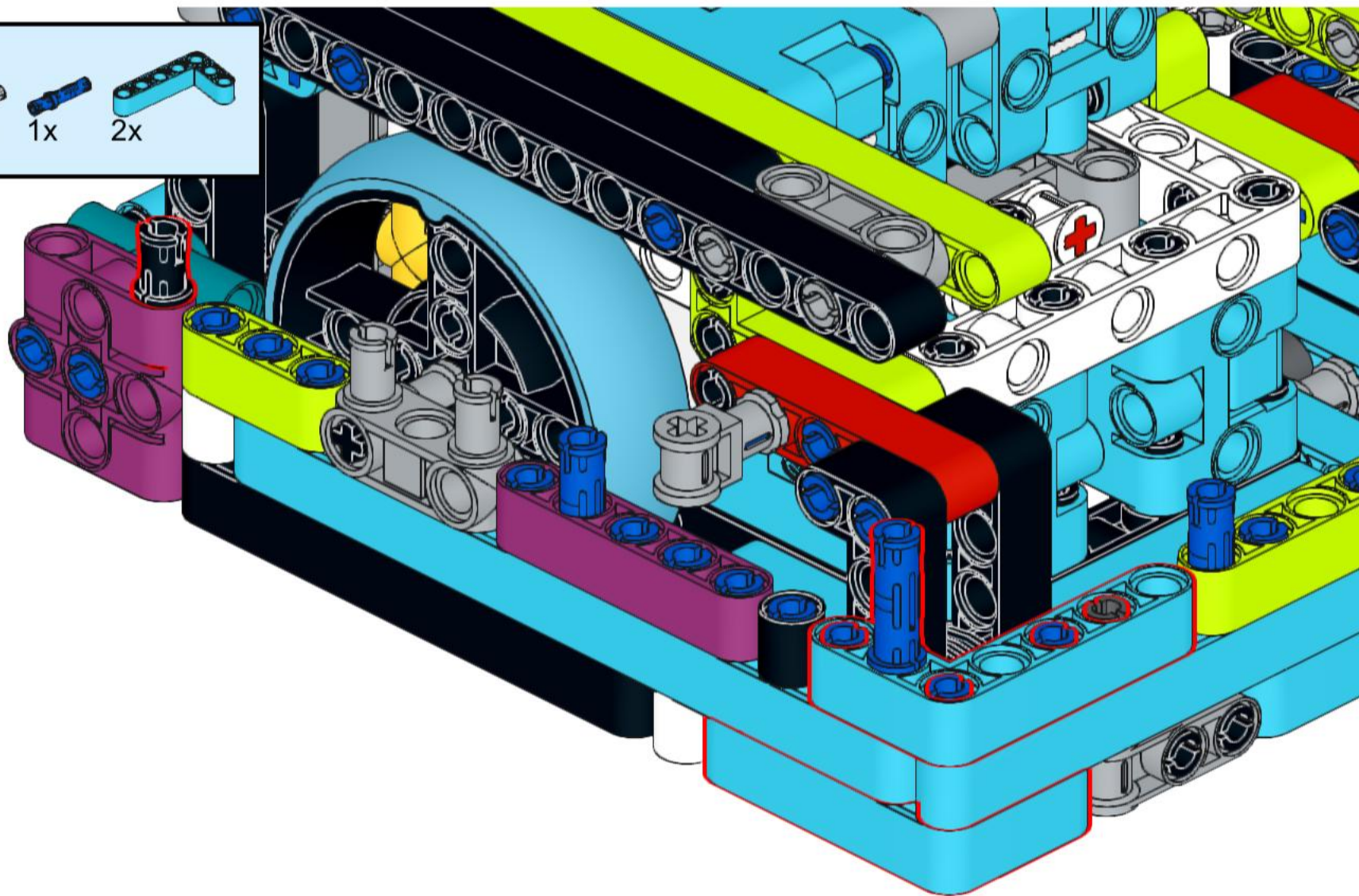
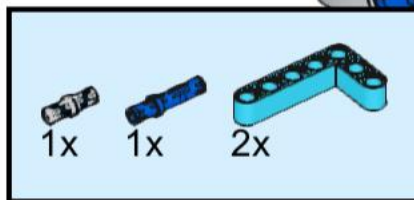
# 66



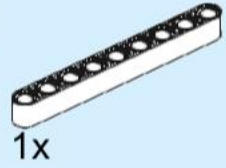
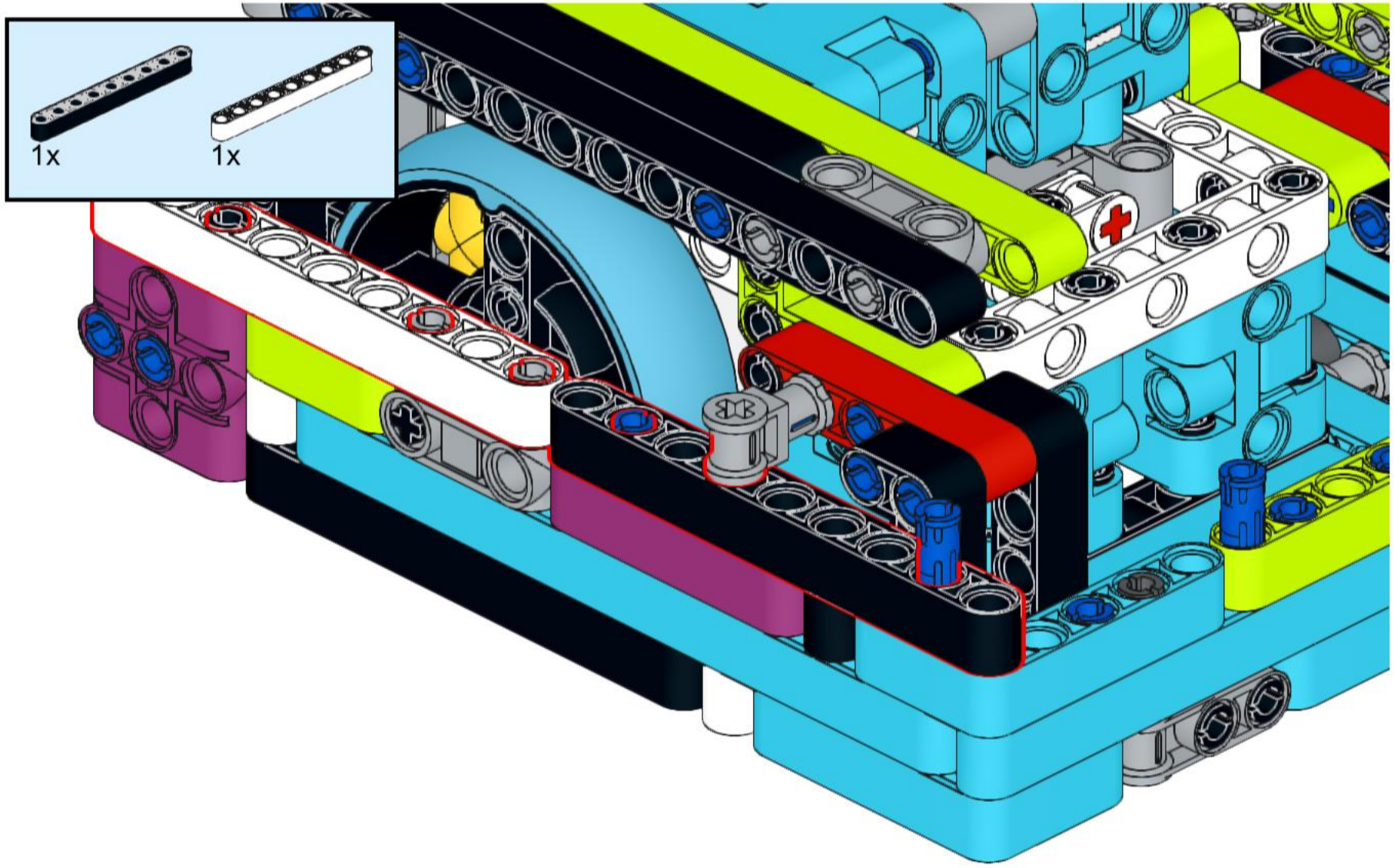
67



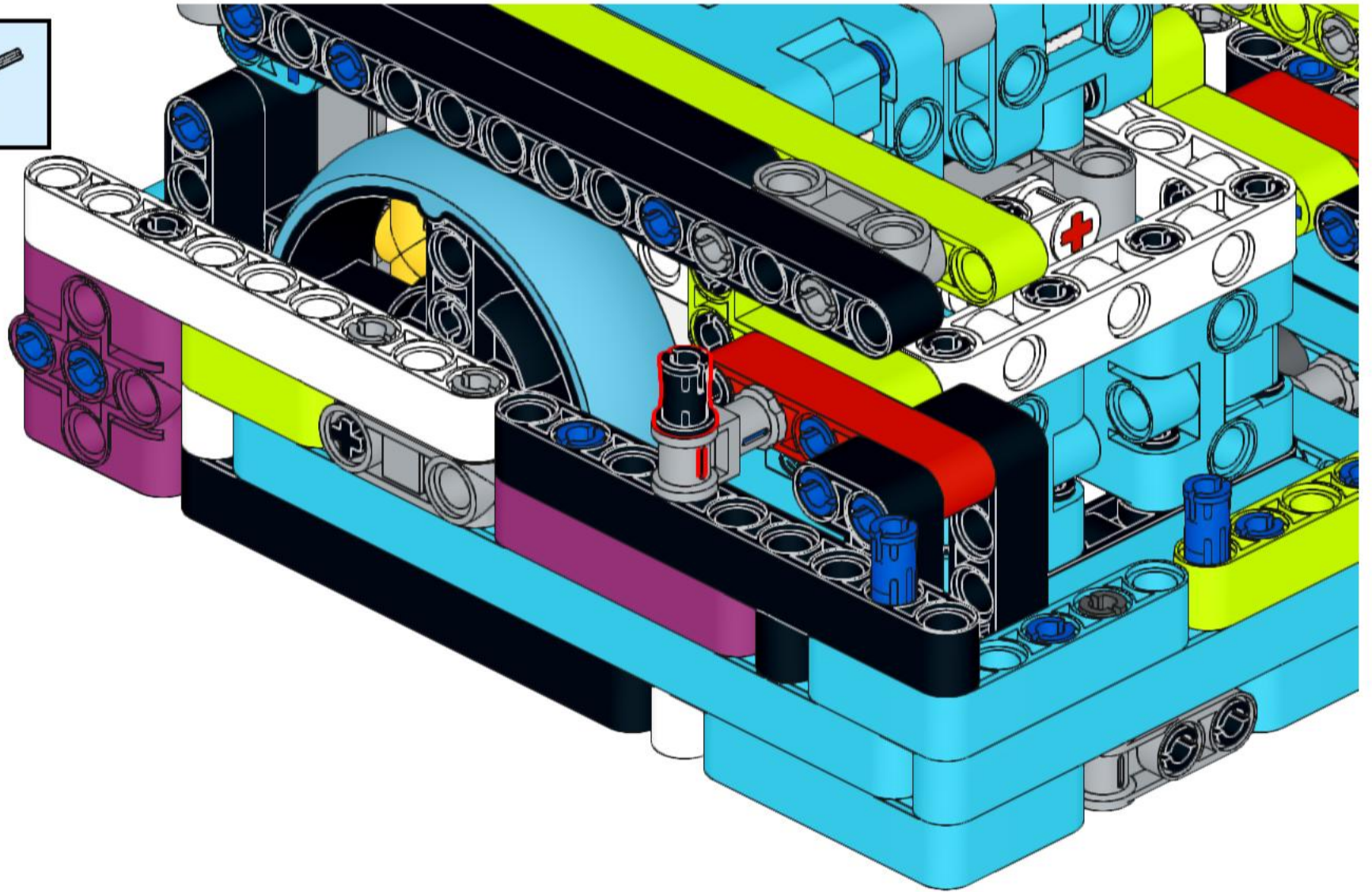
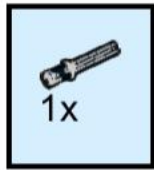
# 68



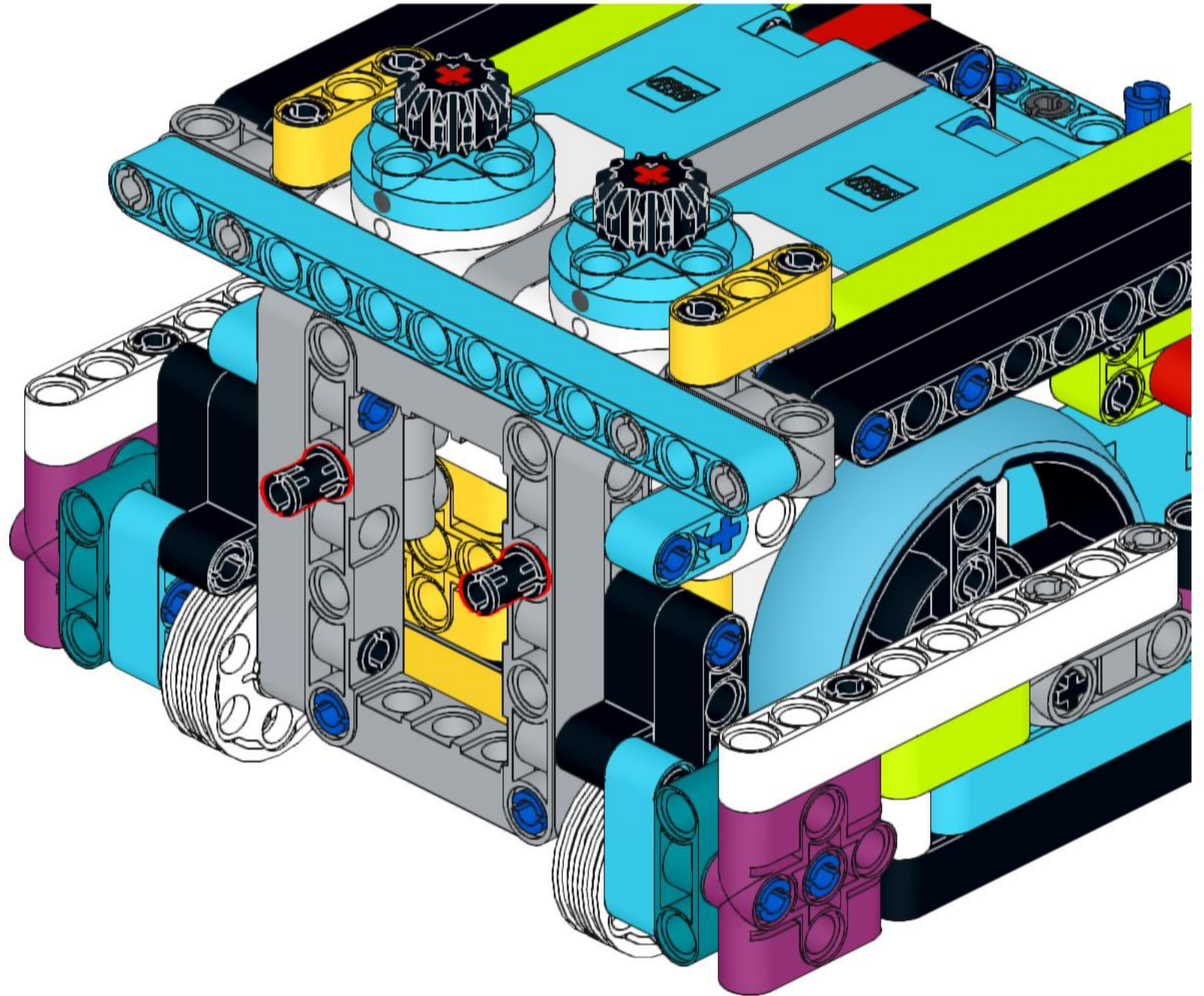
# 69



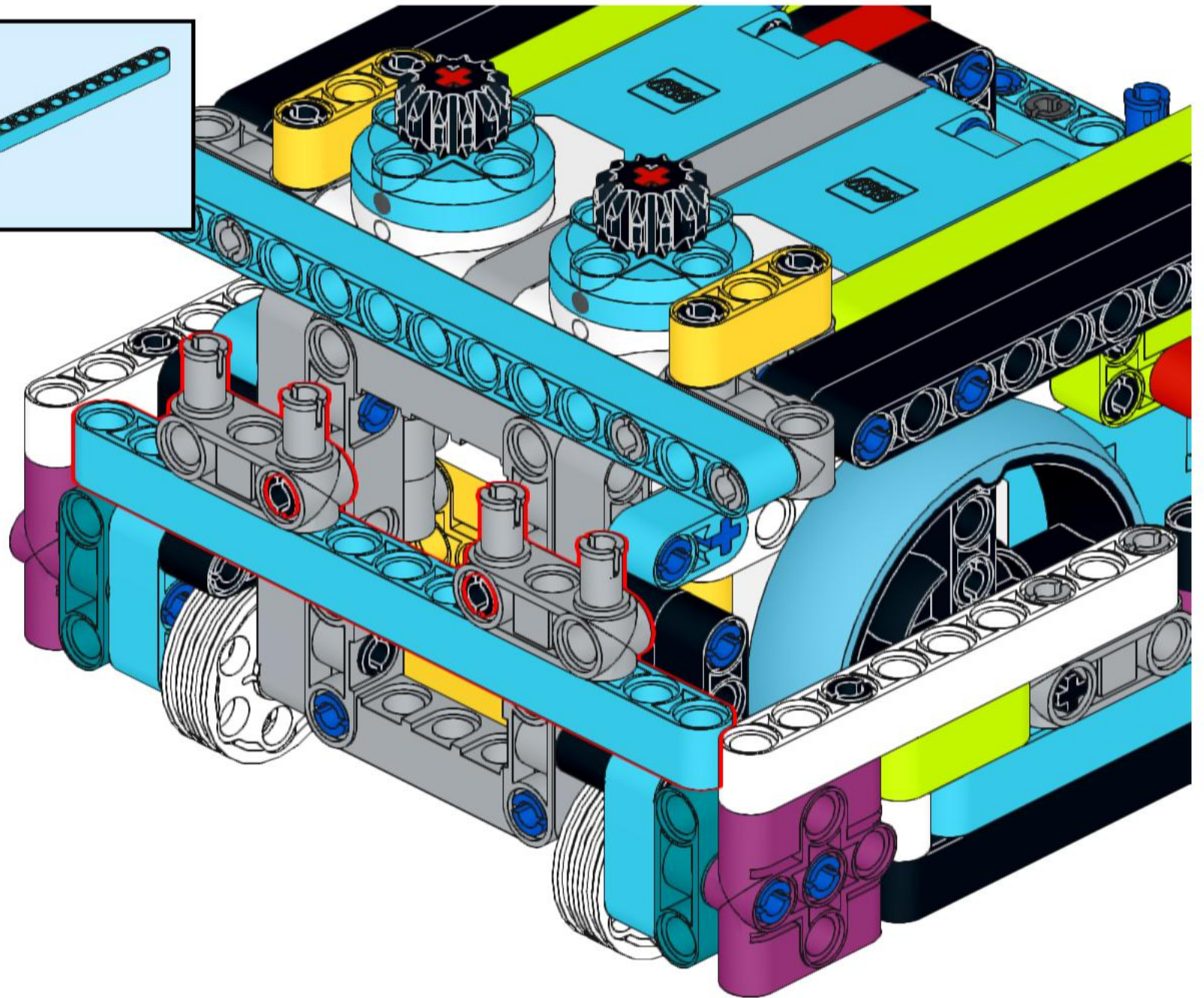
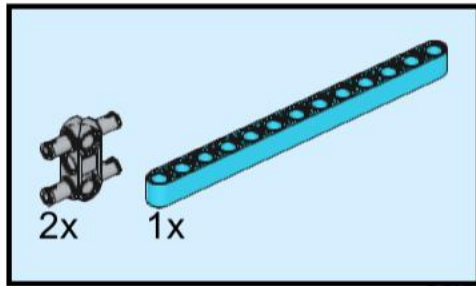
# 70



# 71

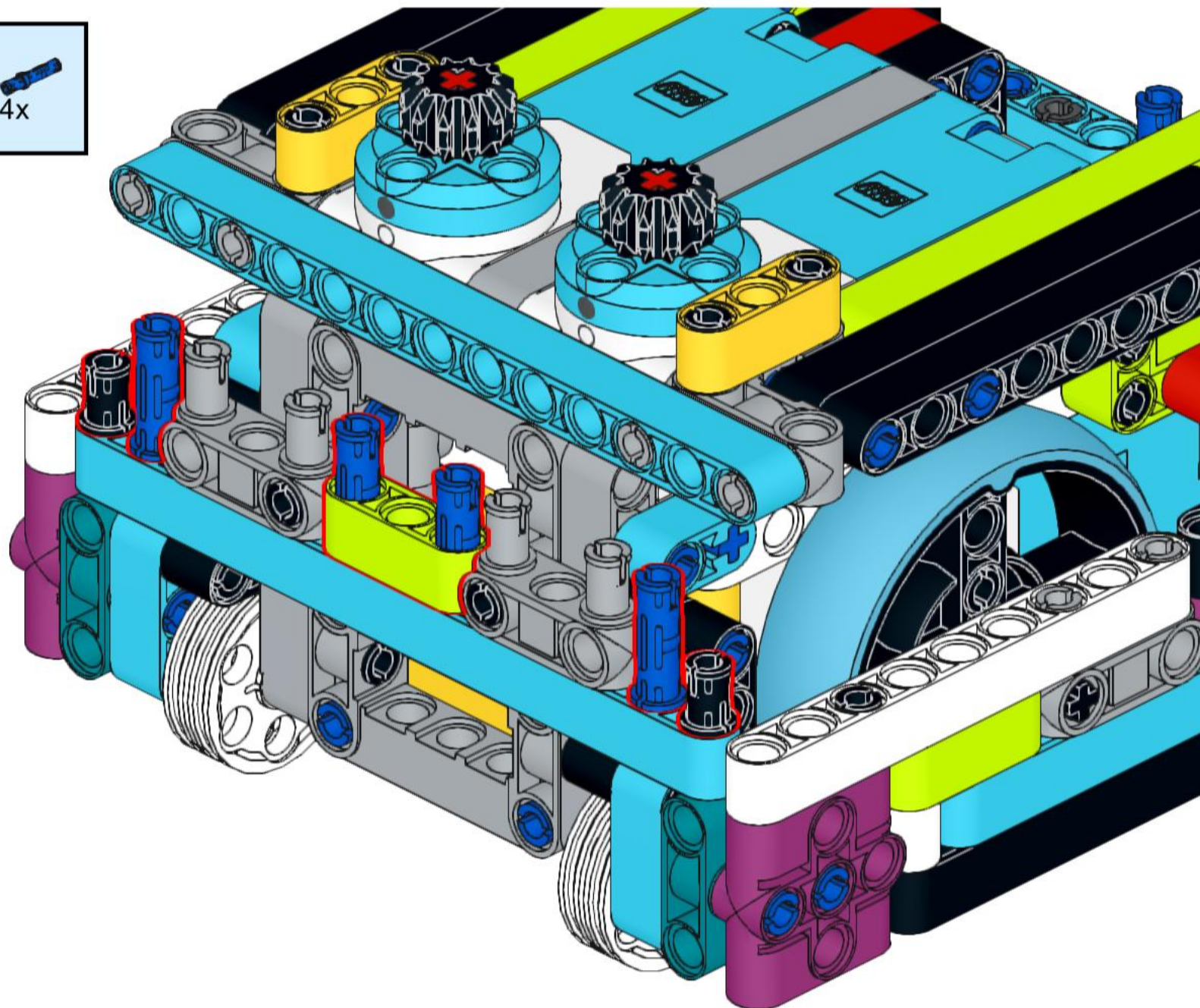
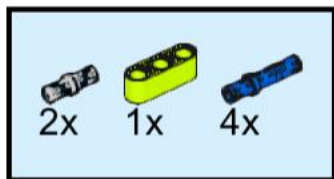


# 72

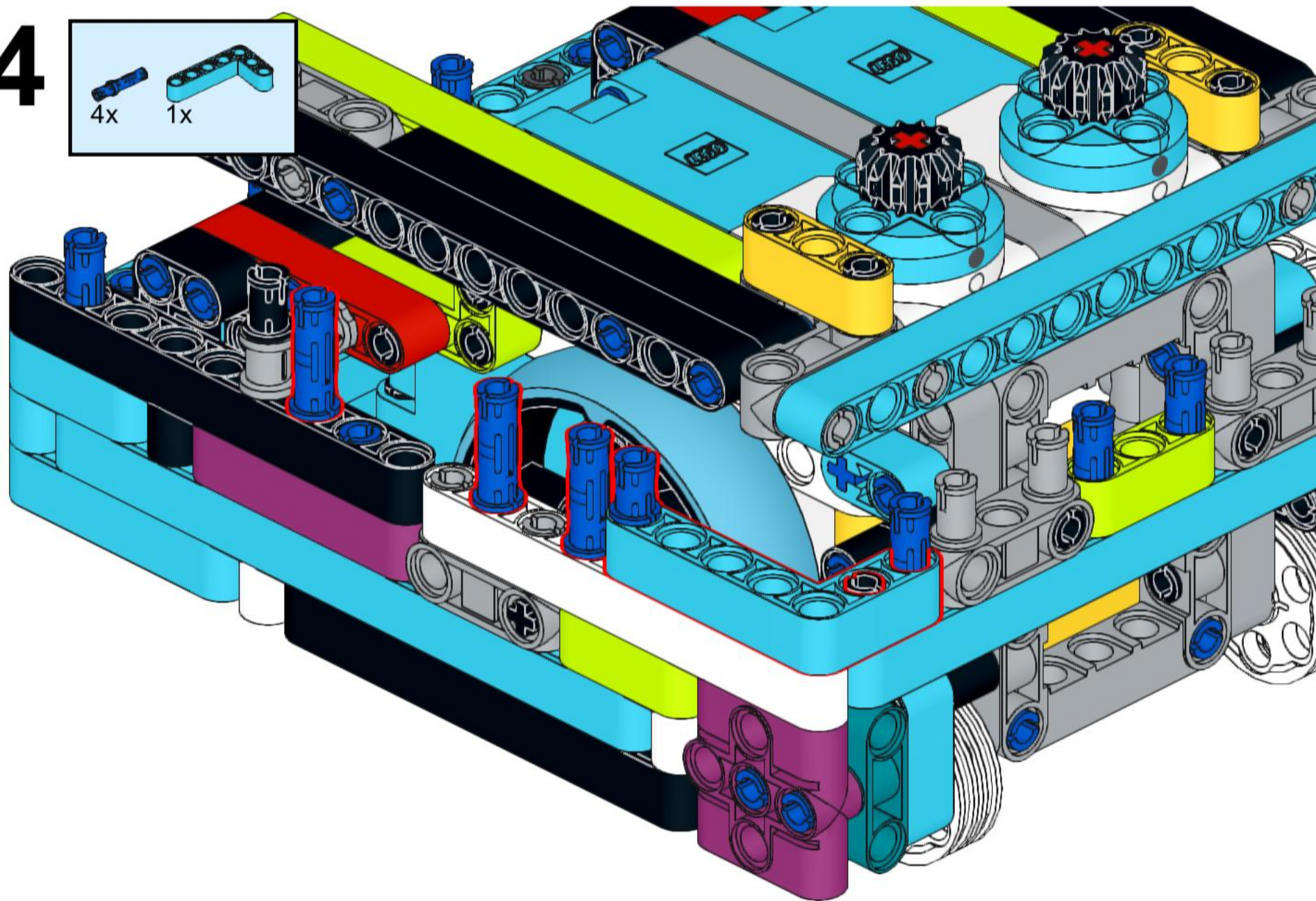
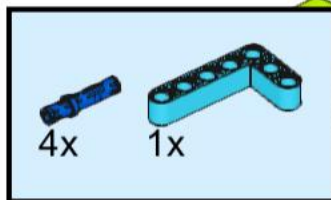




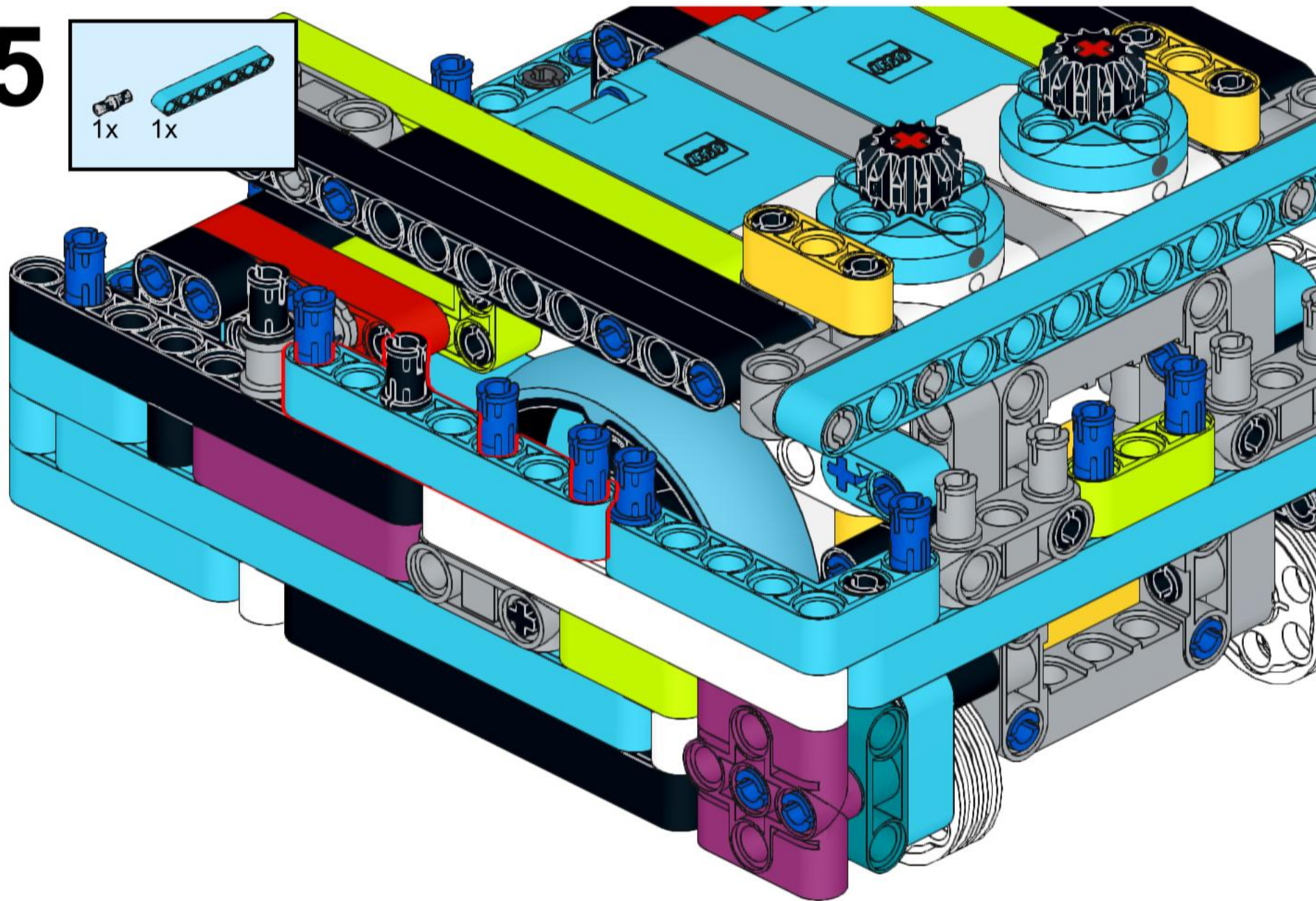
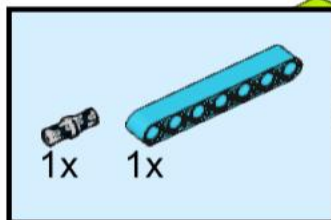
# 73

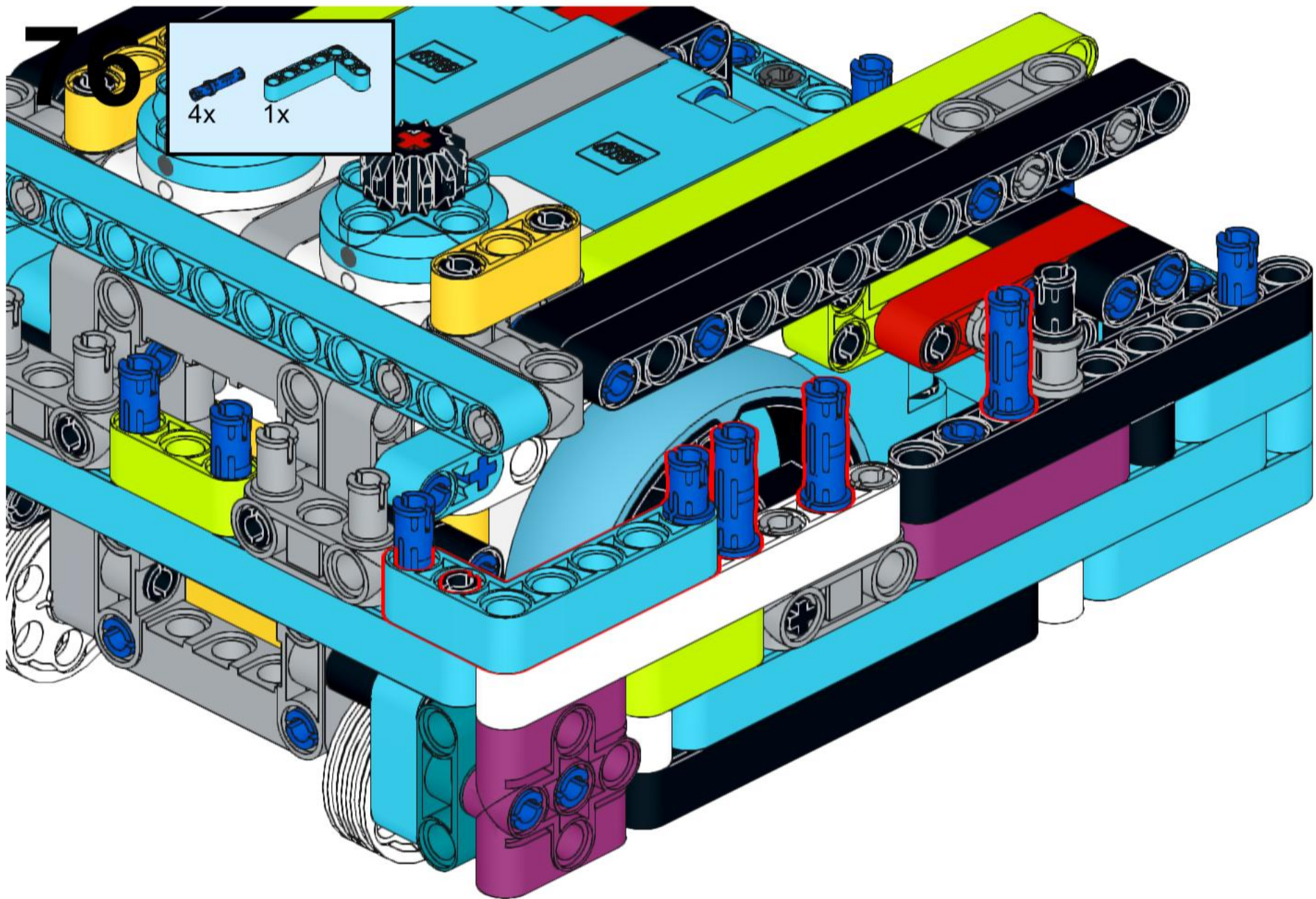


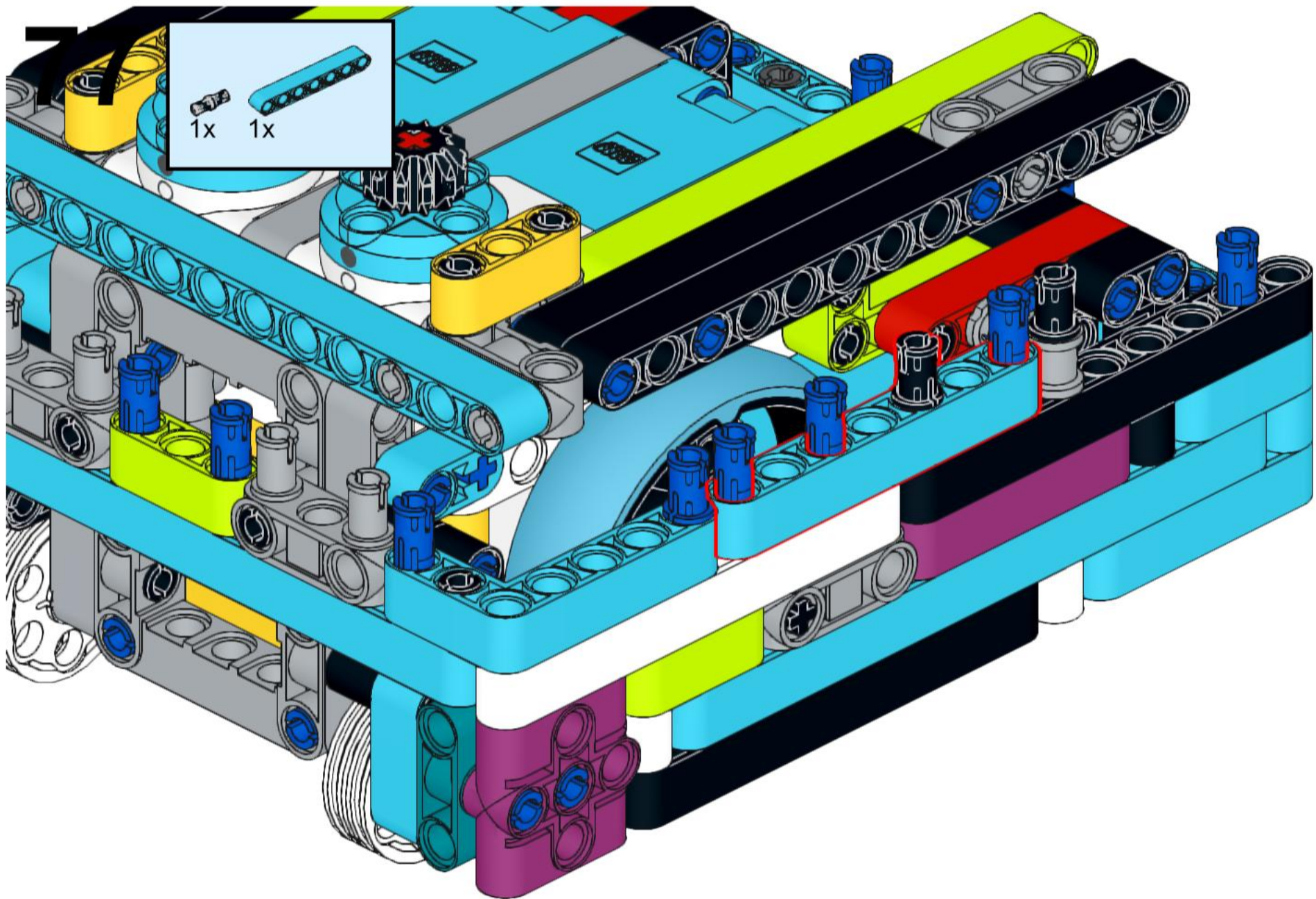
# 74



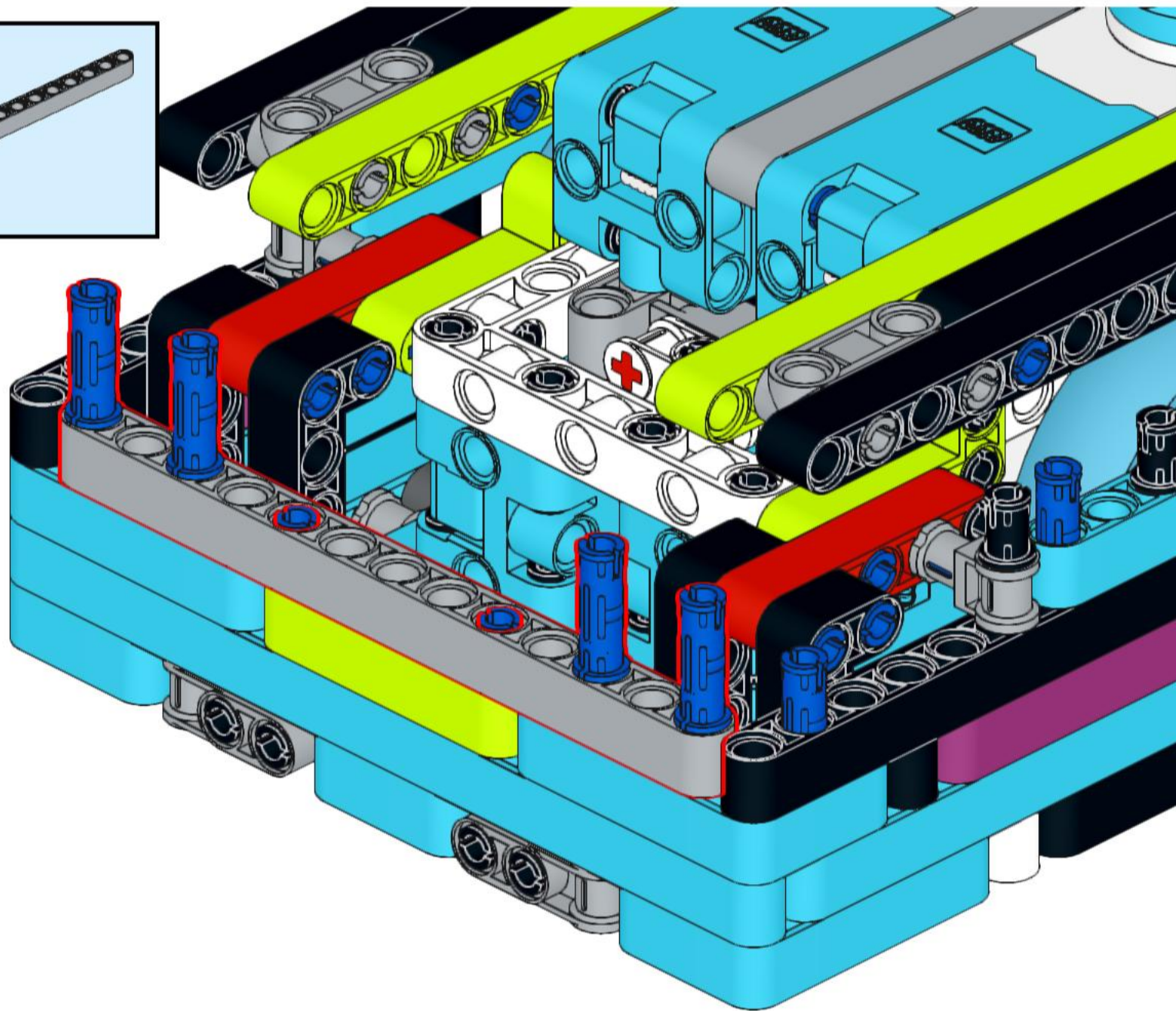
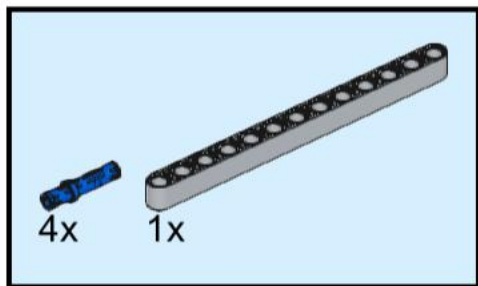
# 75



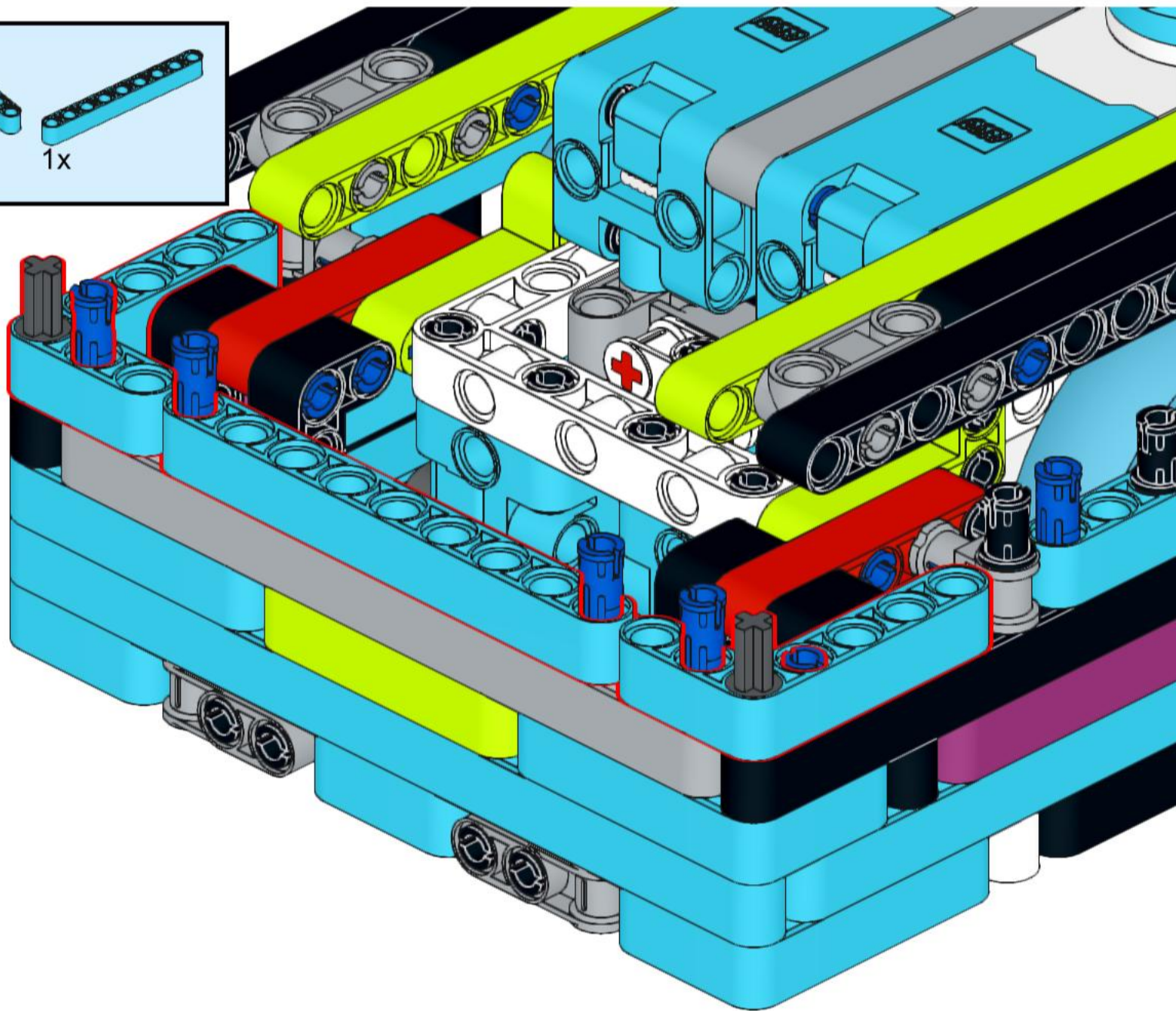
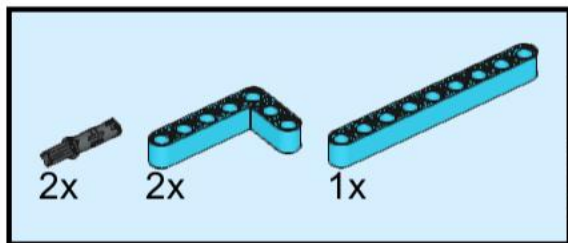




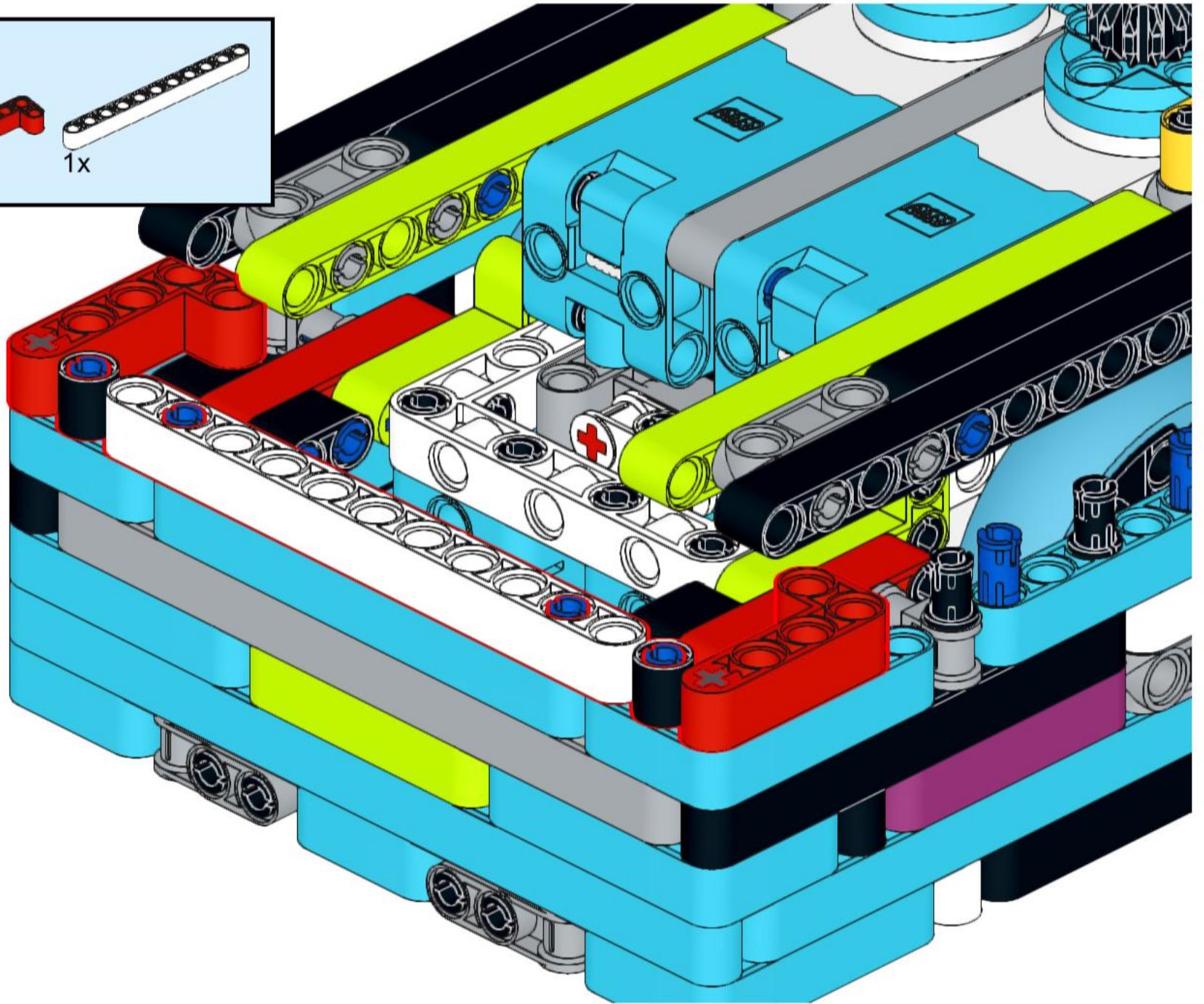
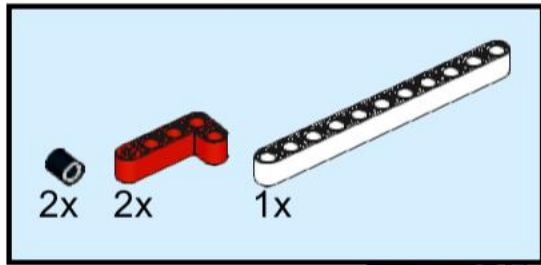
# 78



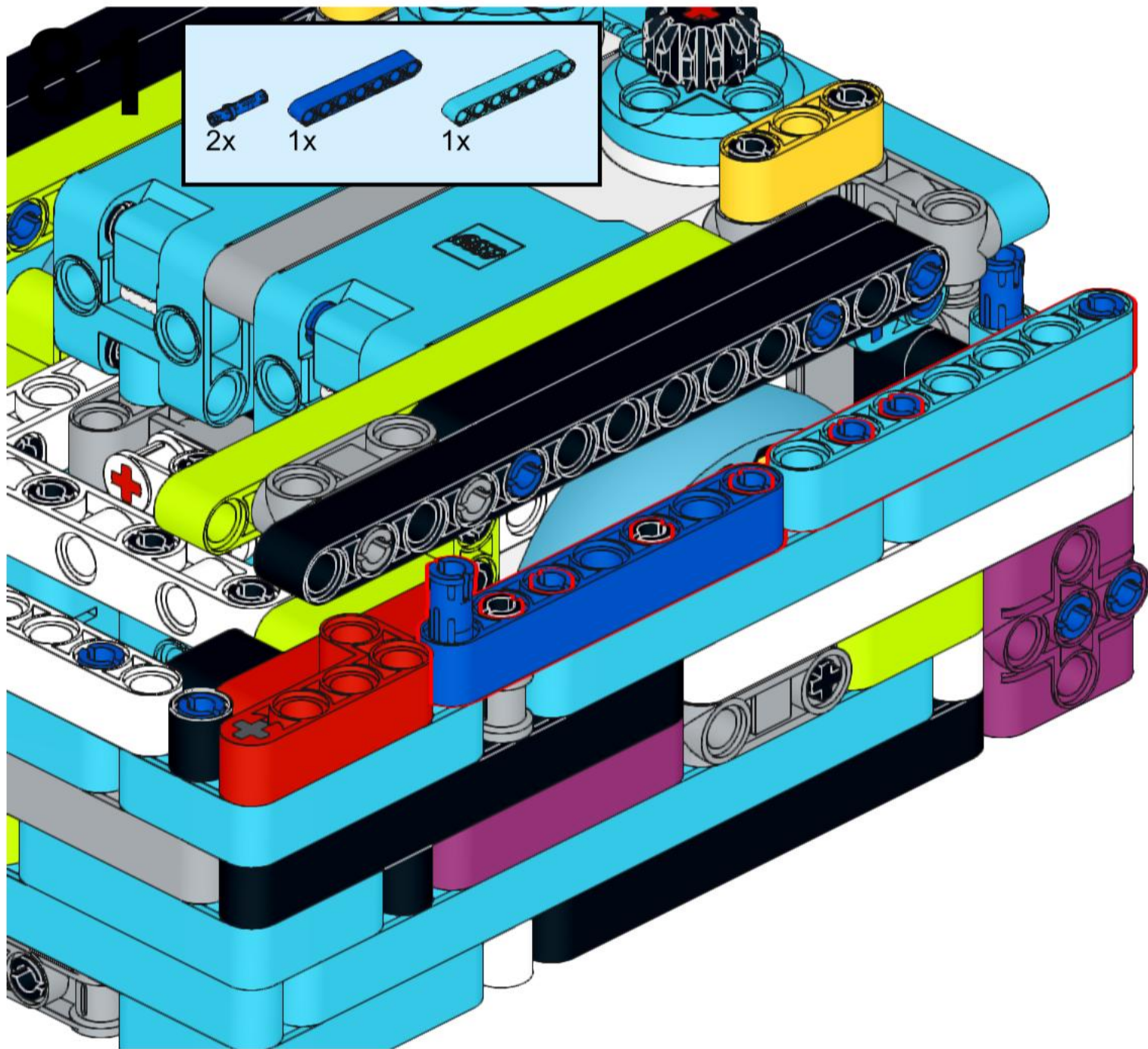
# 79



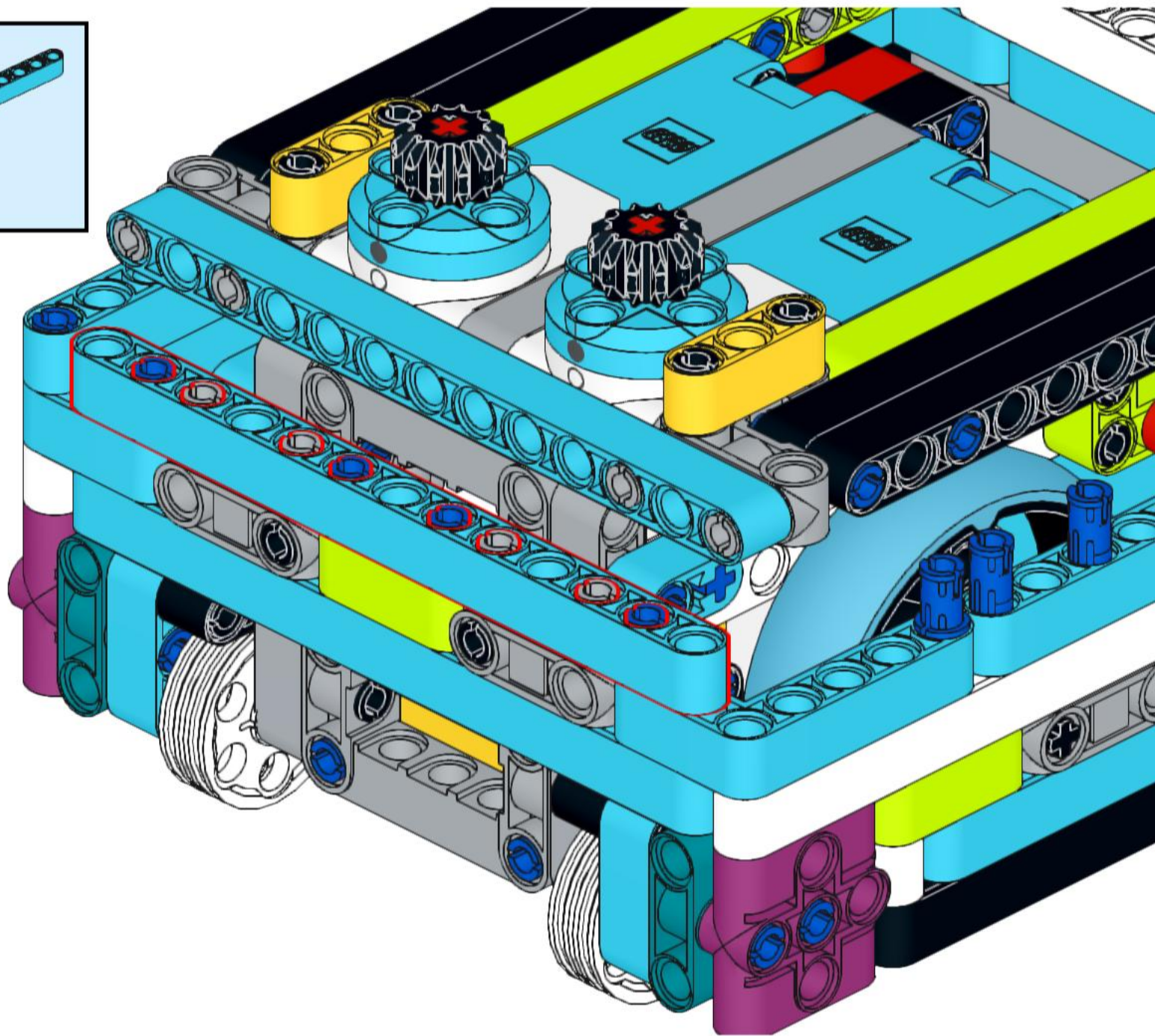
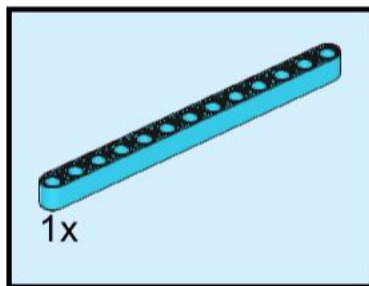
# 80

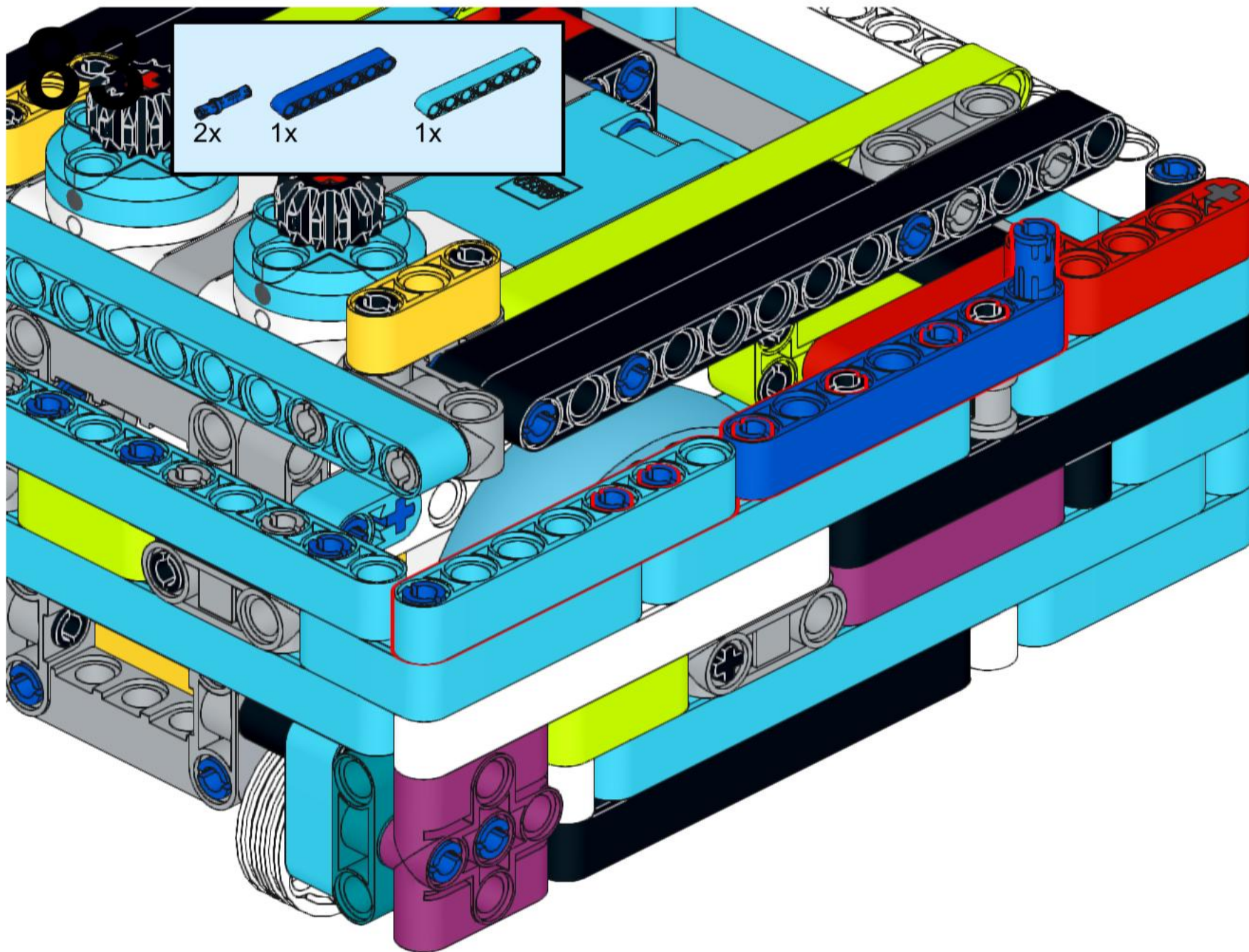




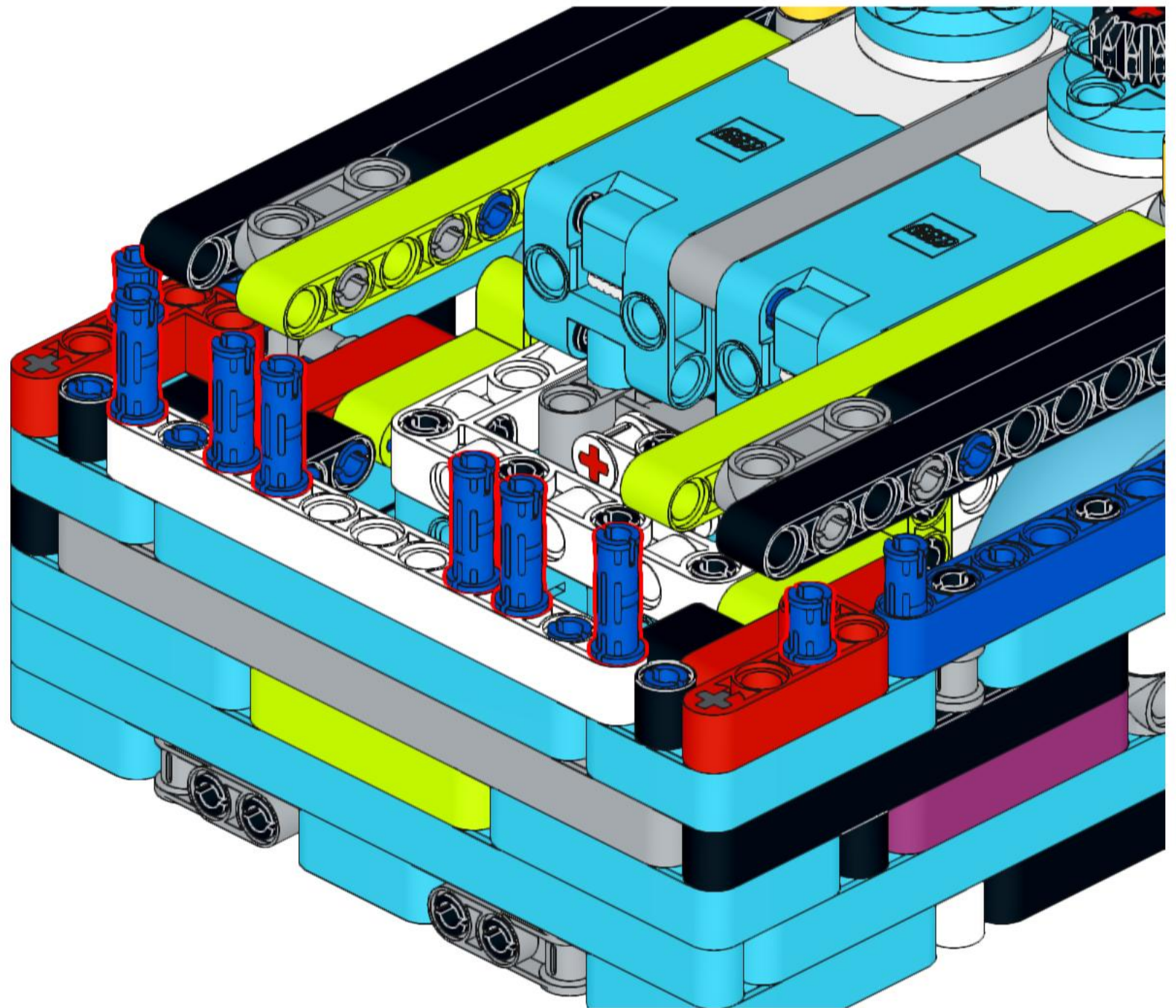


# 82

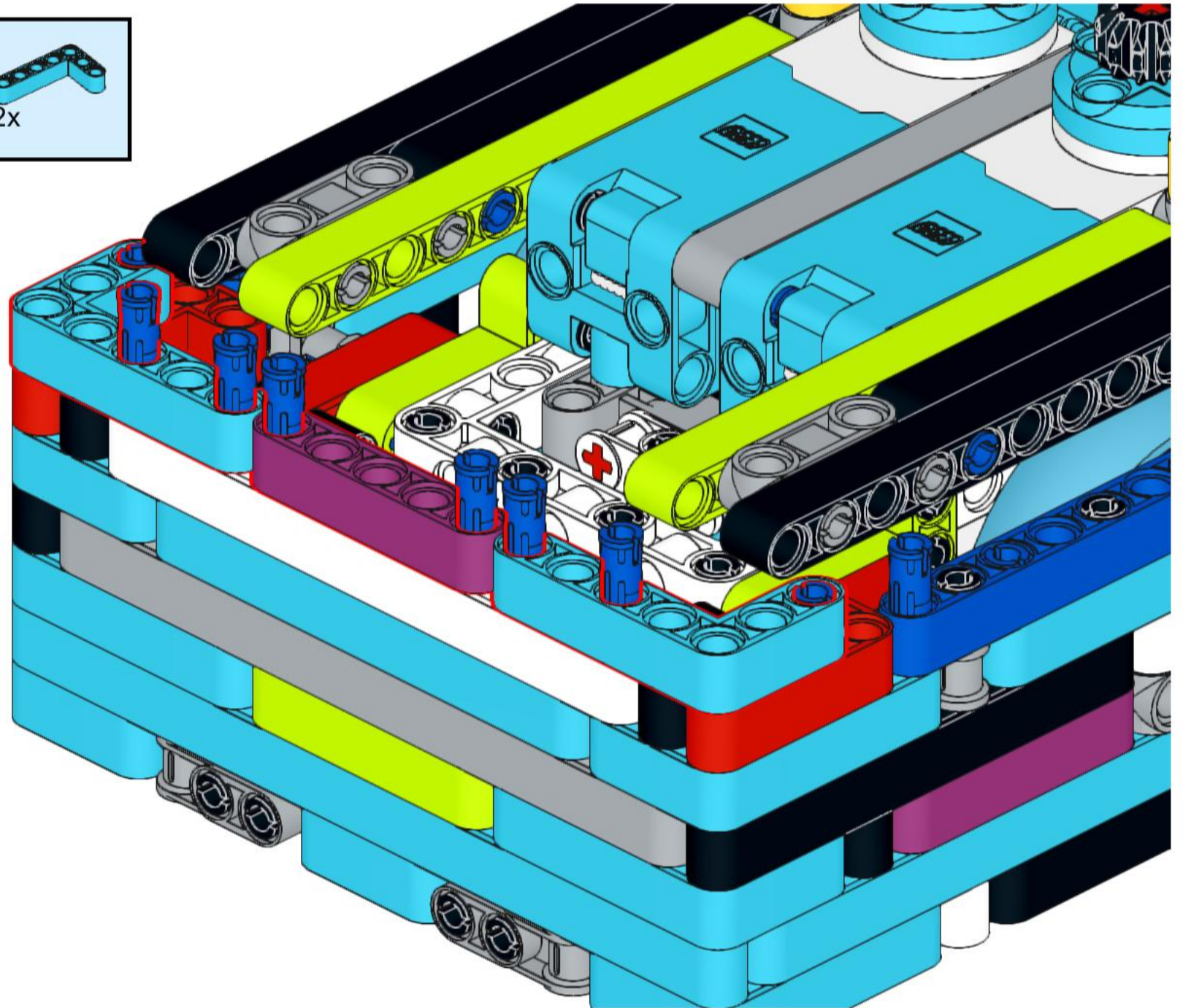
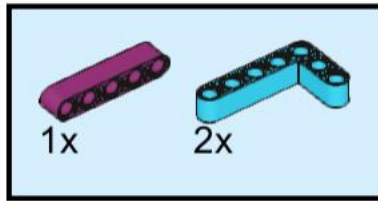




# 84

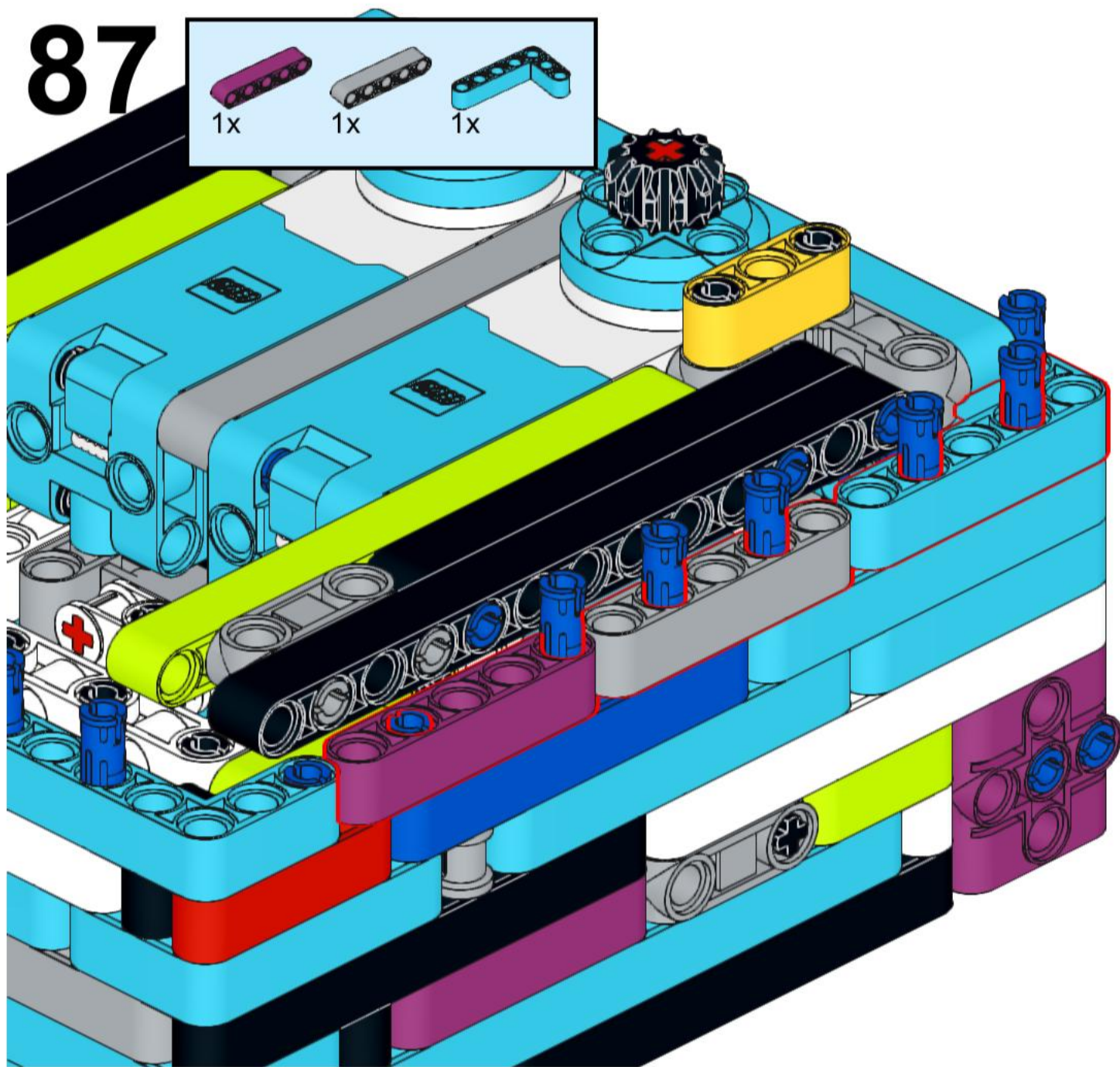
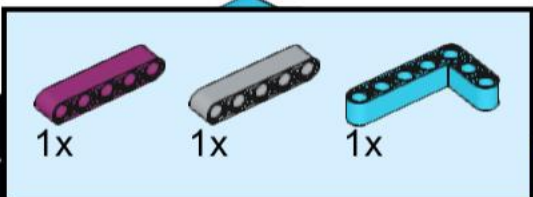


# 85



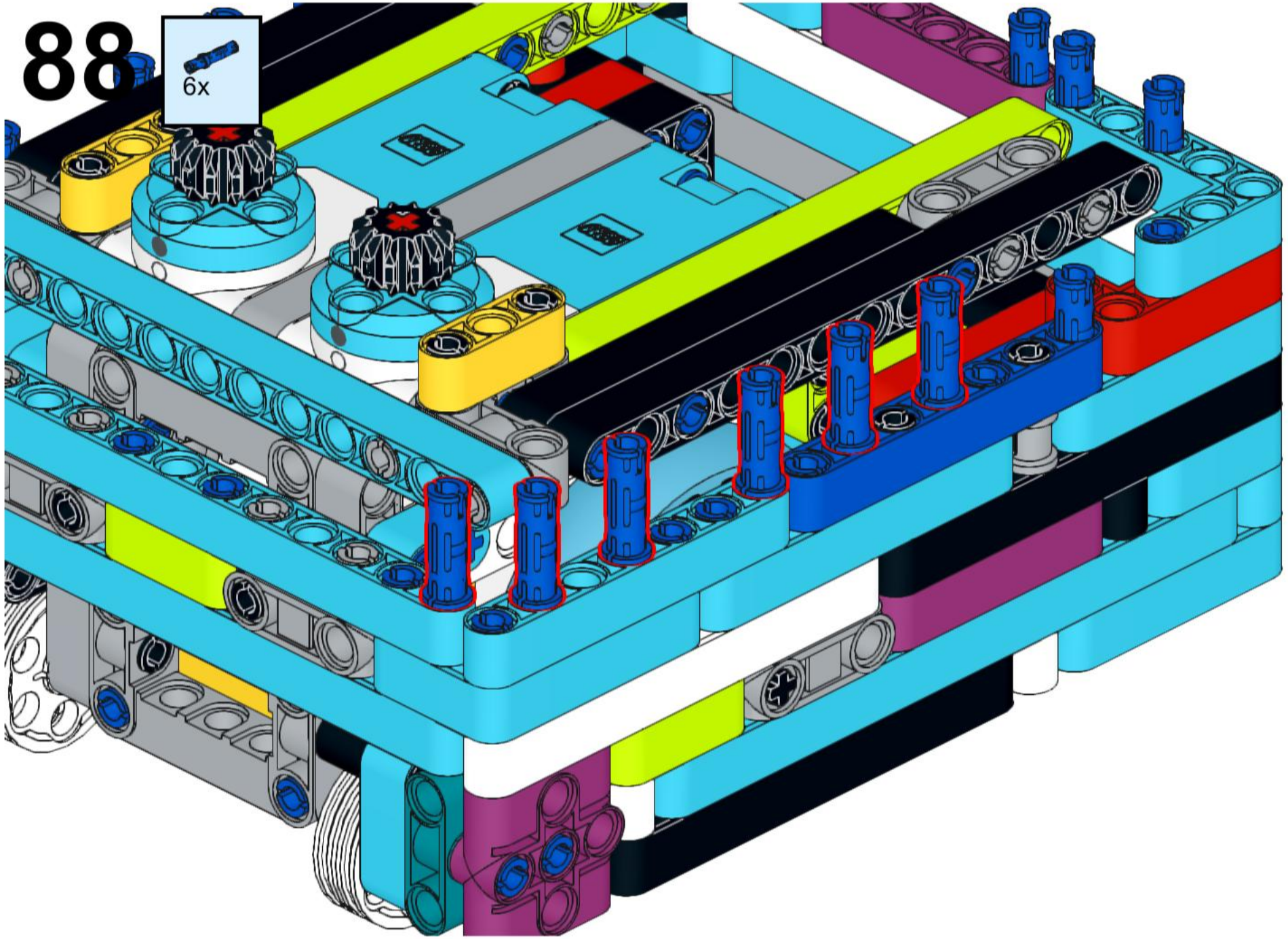


# 87



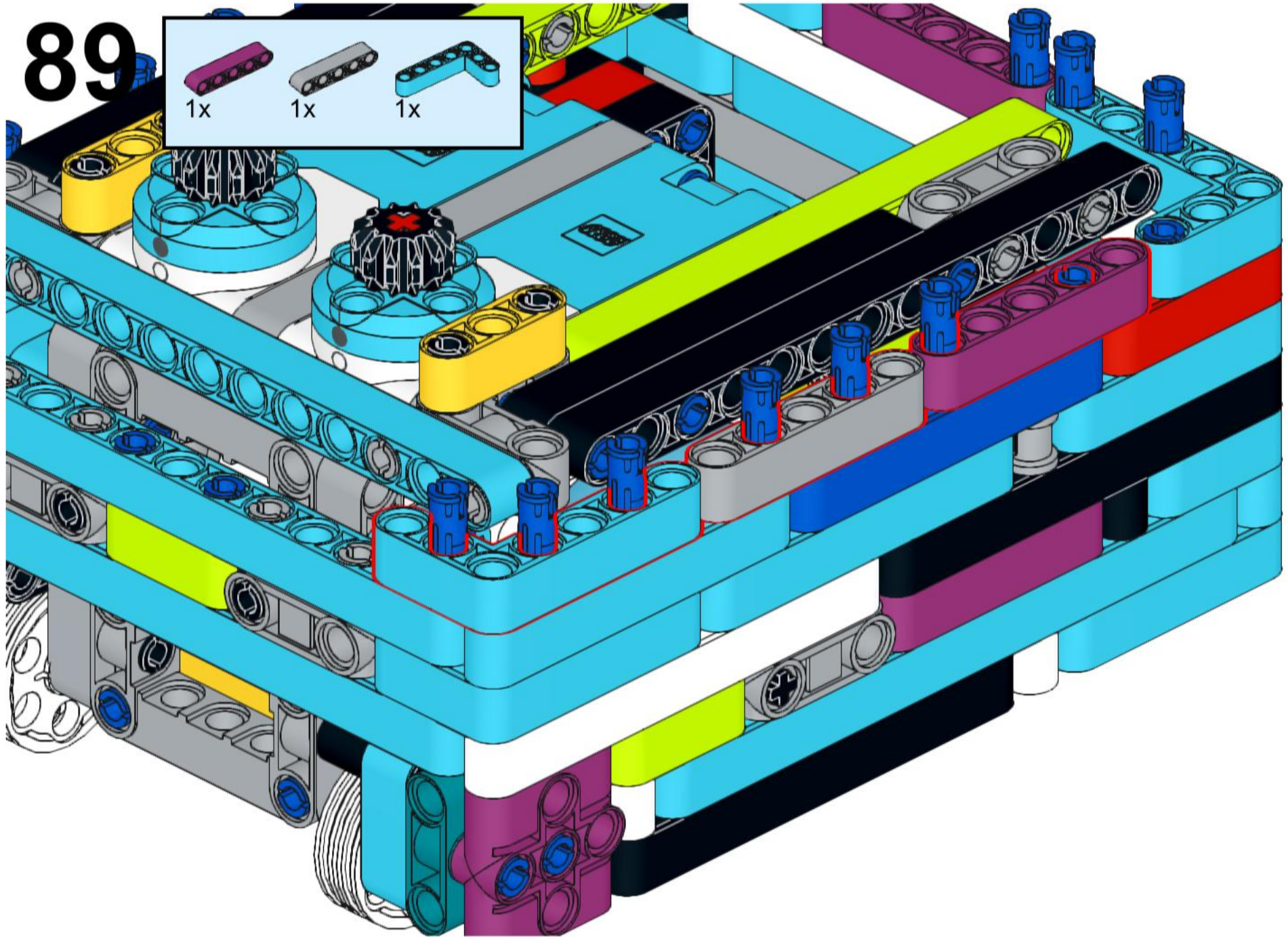
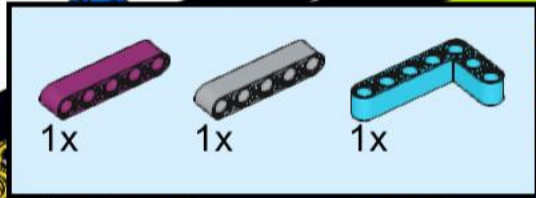
88

6x



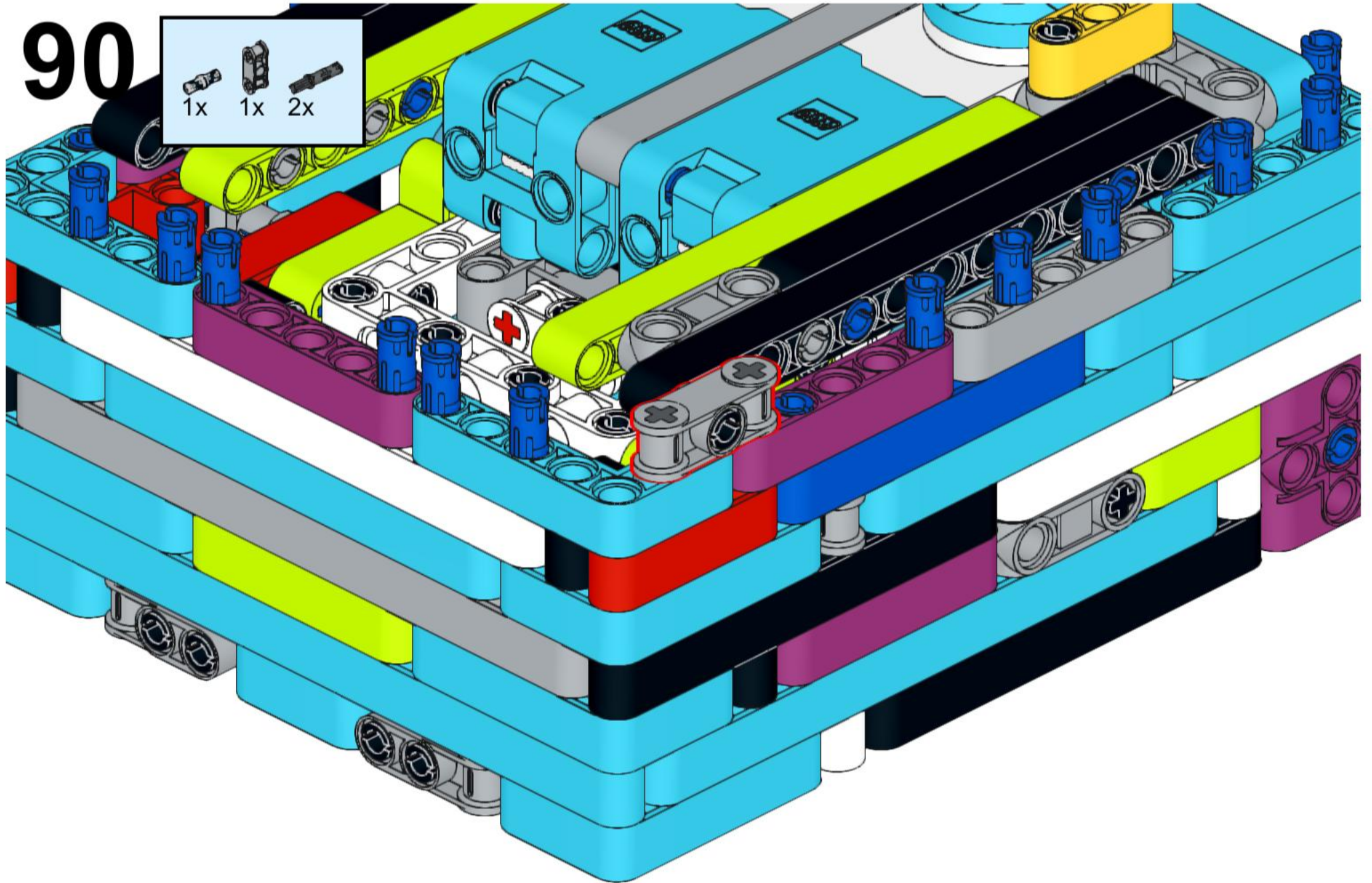
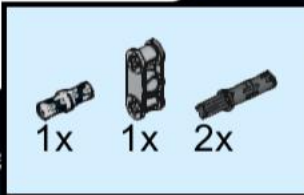


89

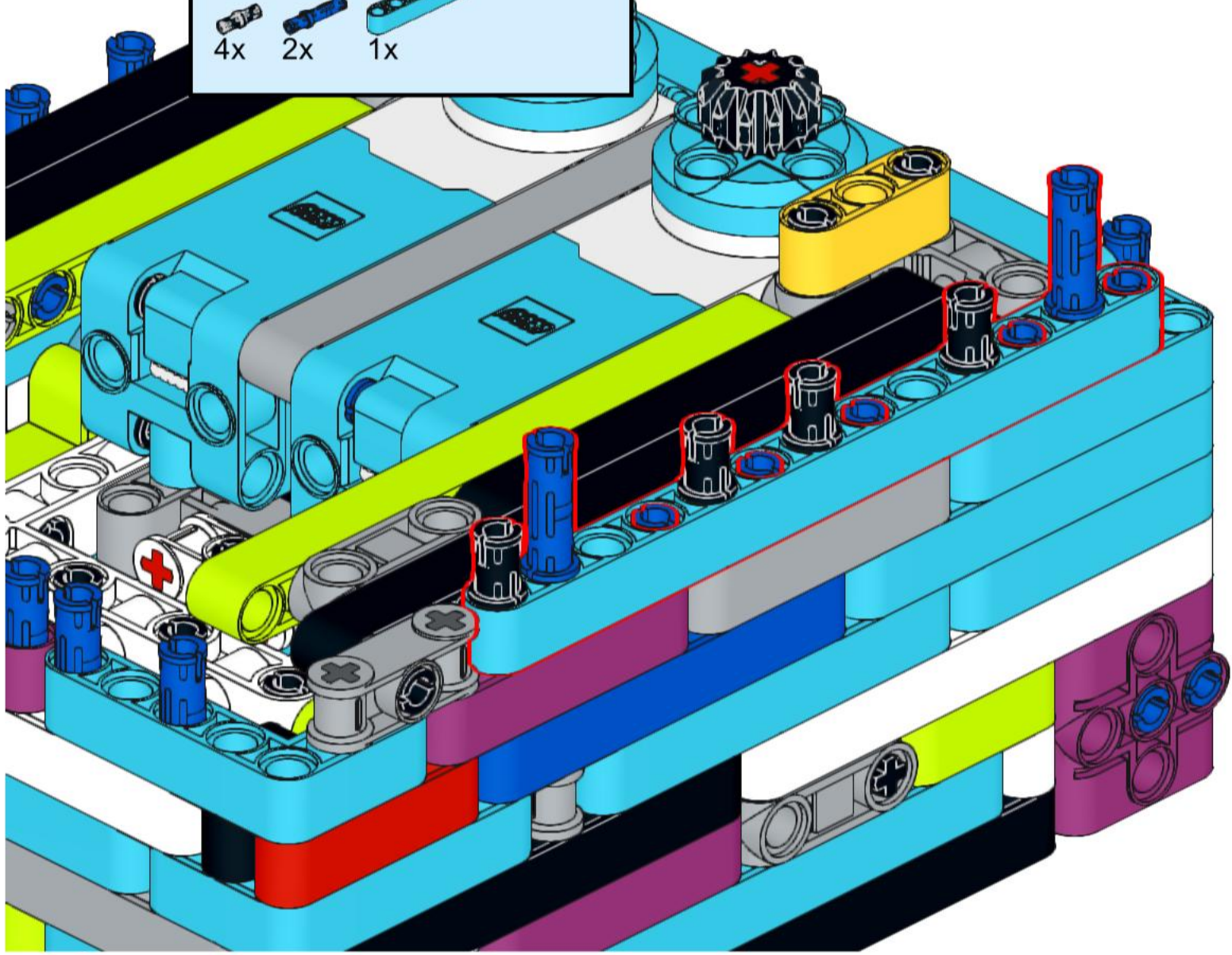
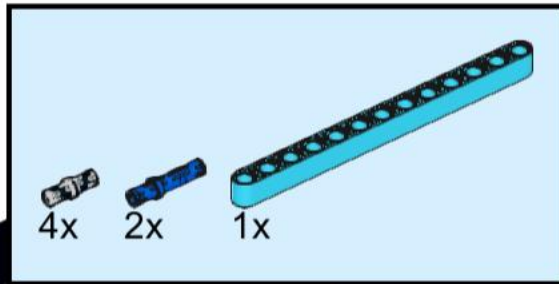


90

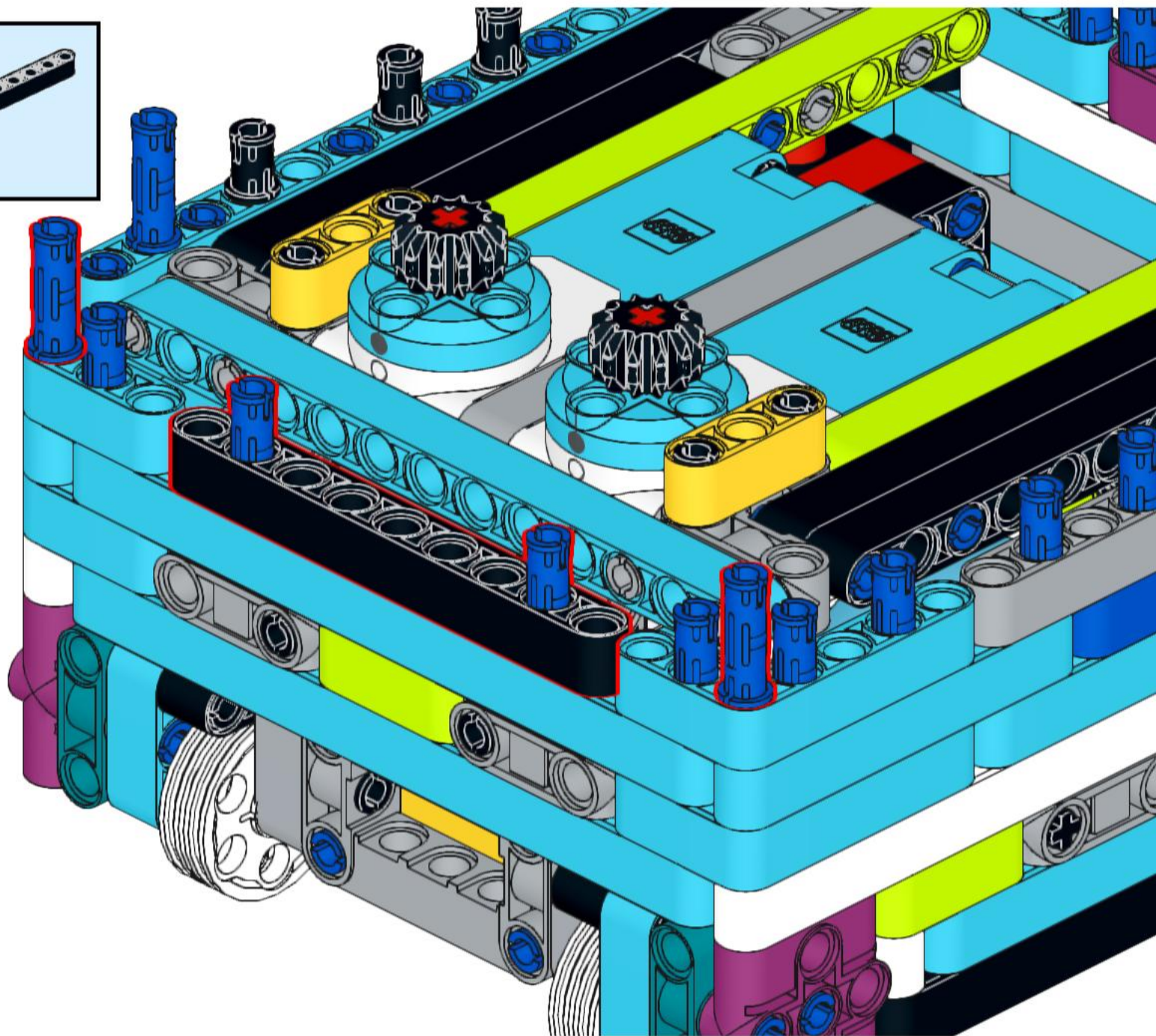
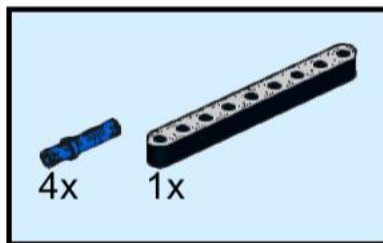
1x 1x 2x



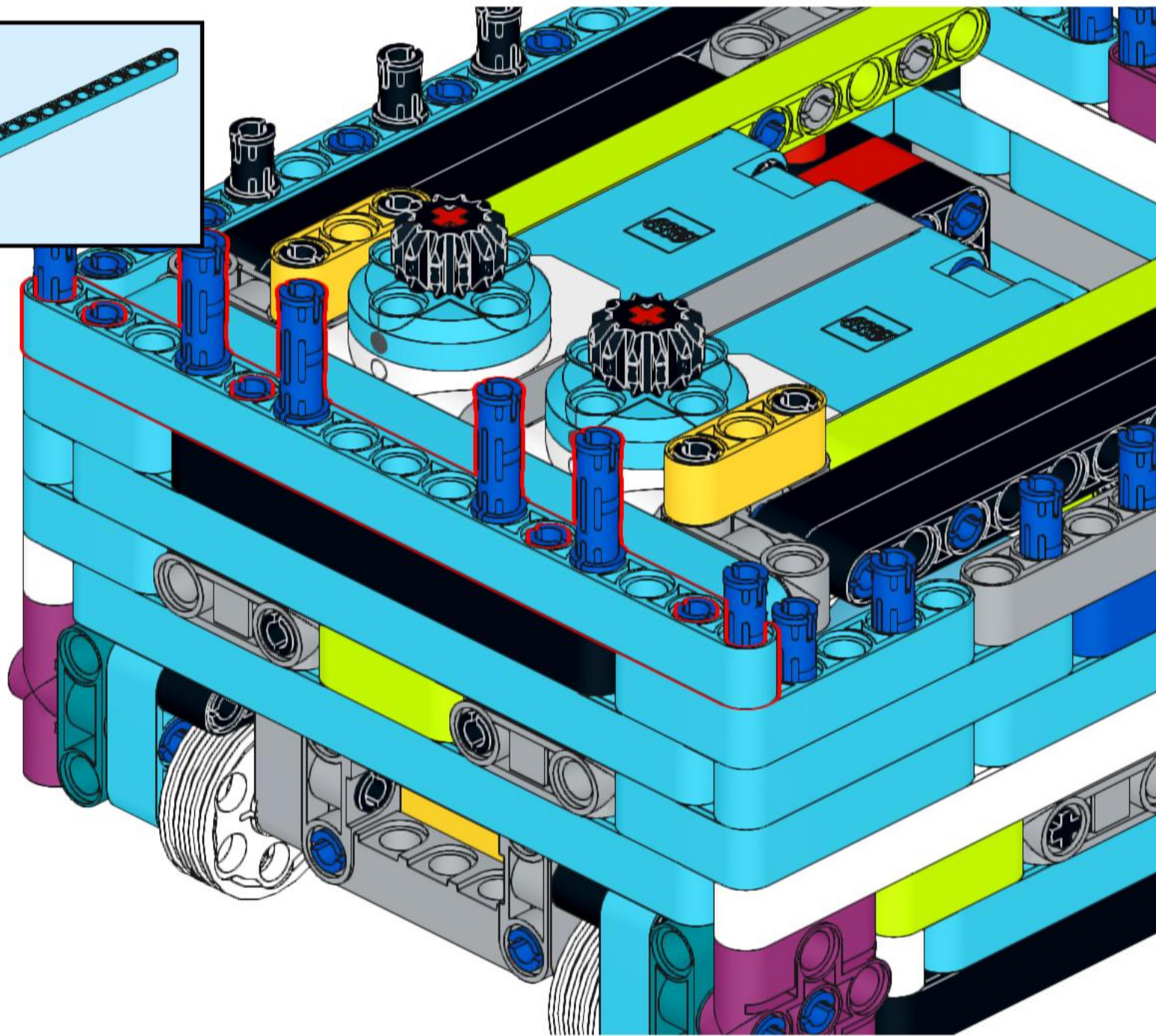
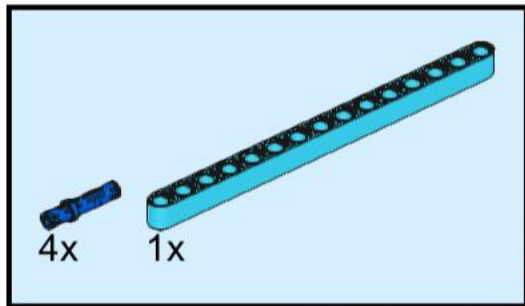
# 91



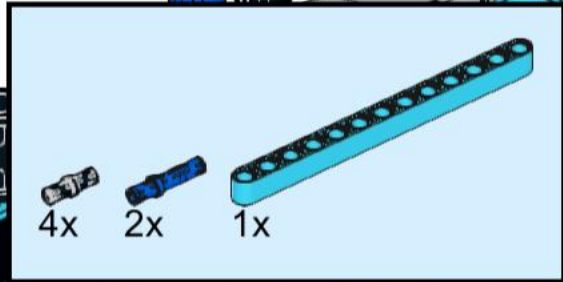
# 92



# 93

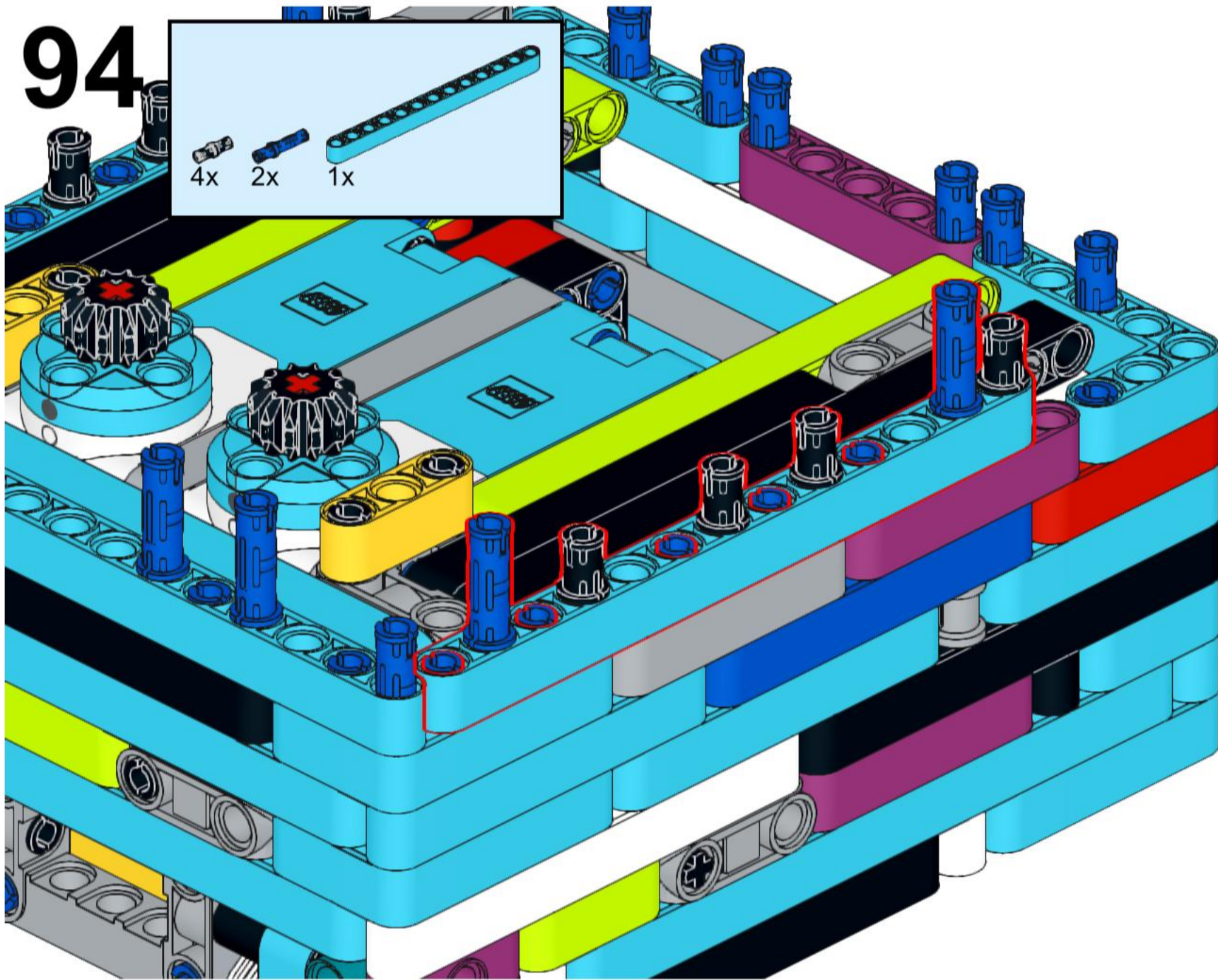


94



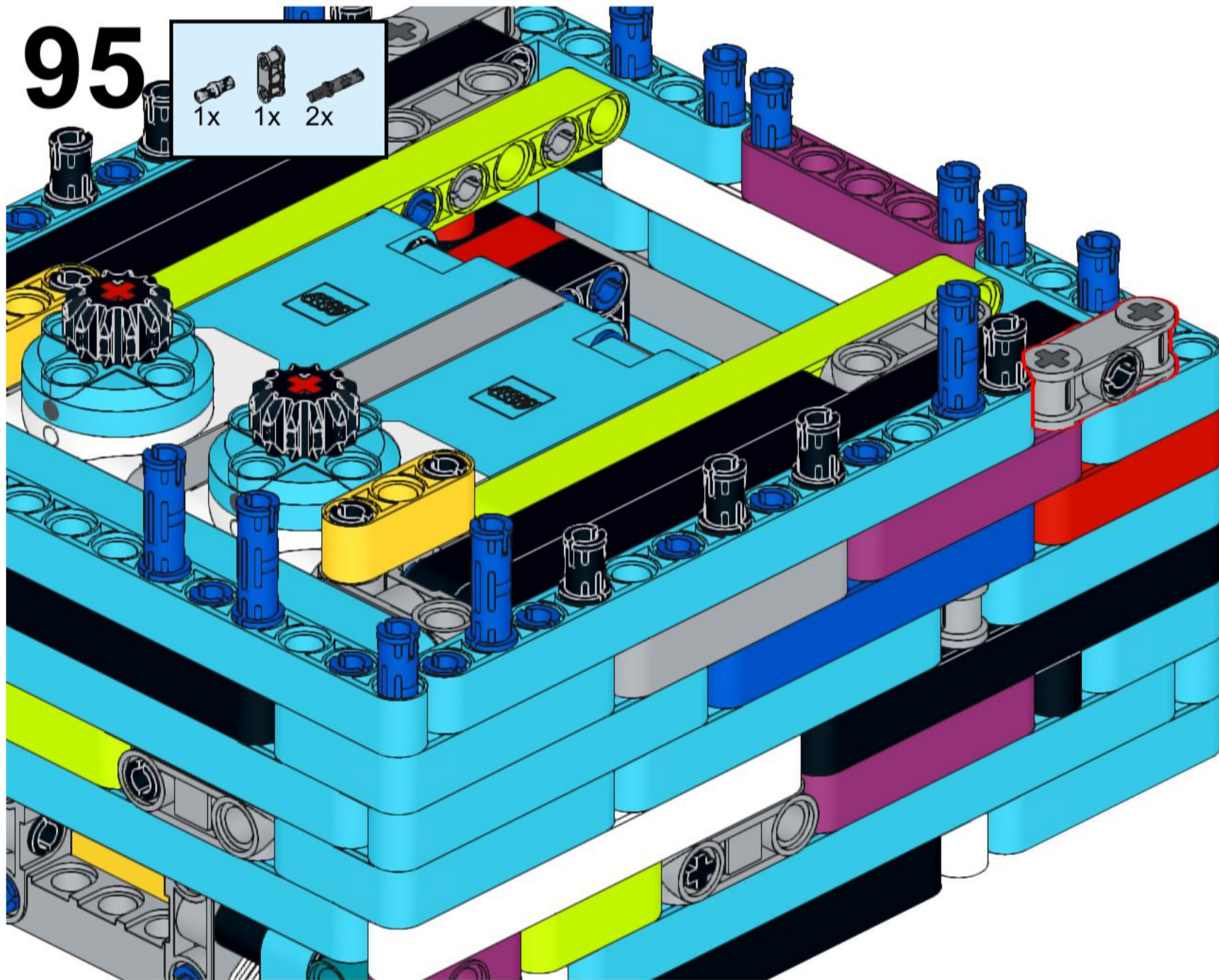
4x 2x 1x

This inset box shows the parts list for step 94. It contains three items: a grey axle pin (4x), a blue axle pin (2x), and a light blue 1x Technic beam (1x).

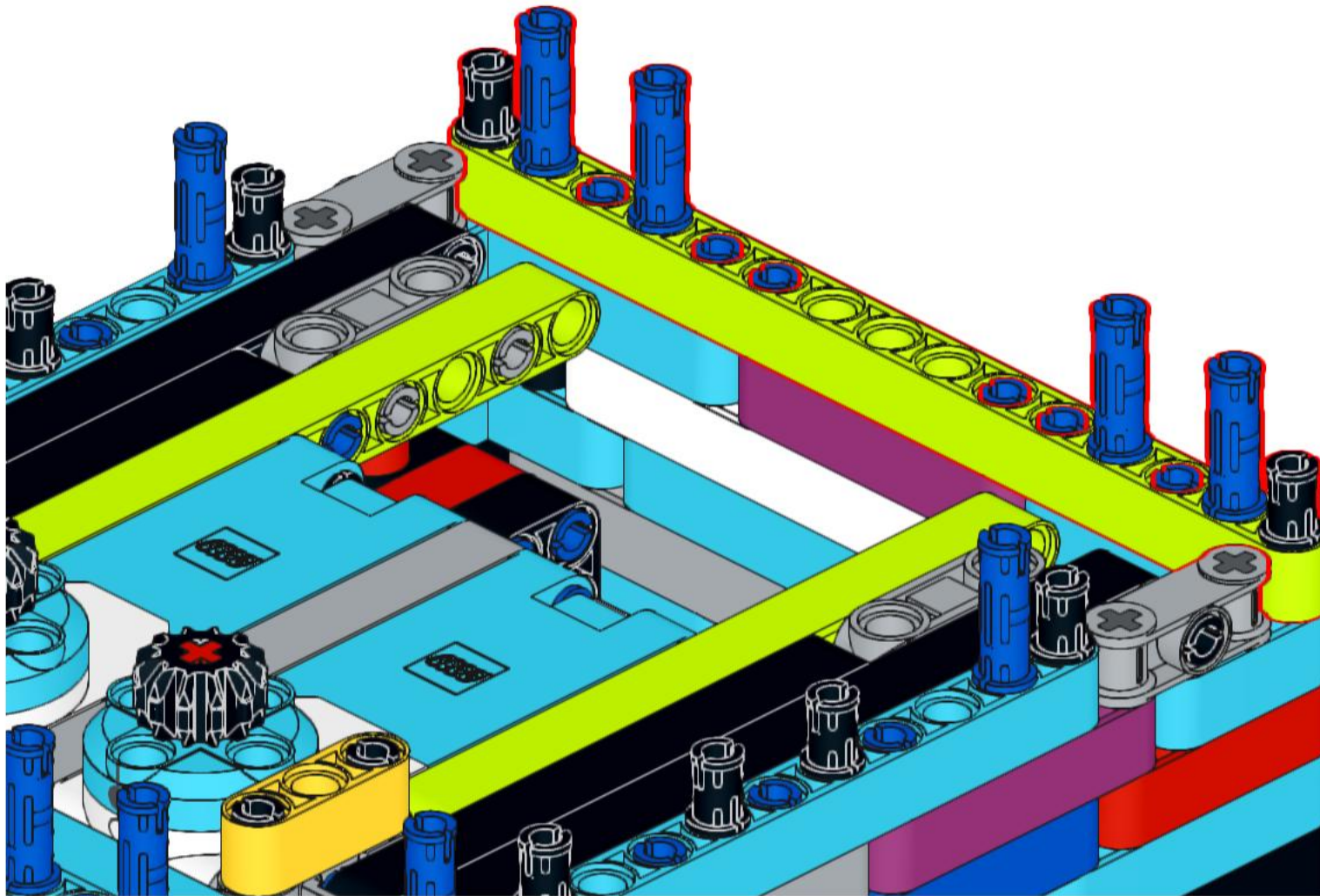
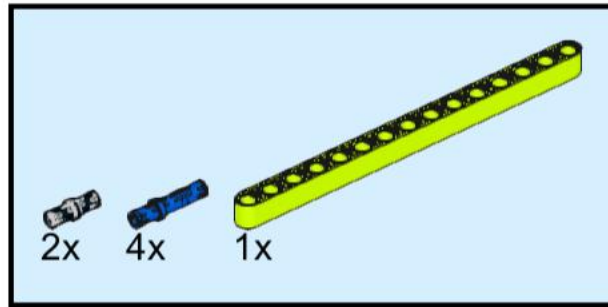


# 95

		
1x	1x	2x

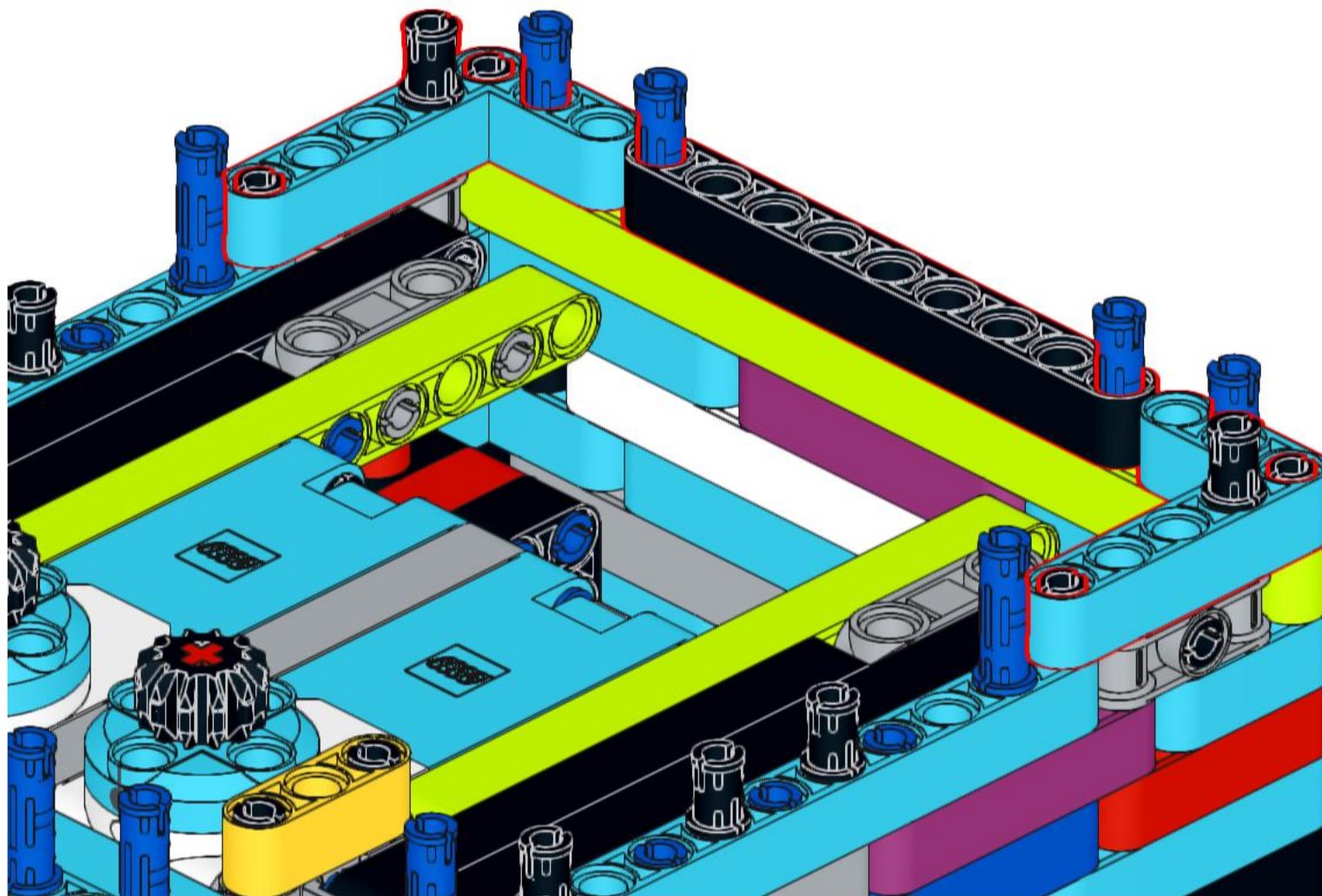
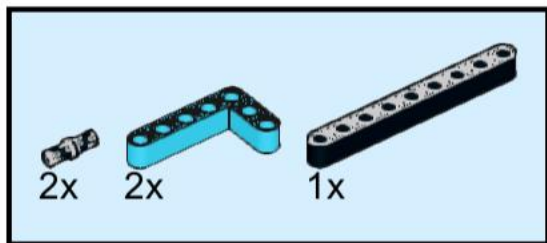


# 96

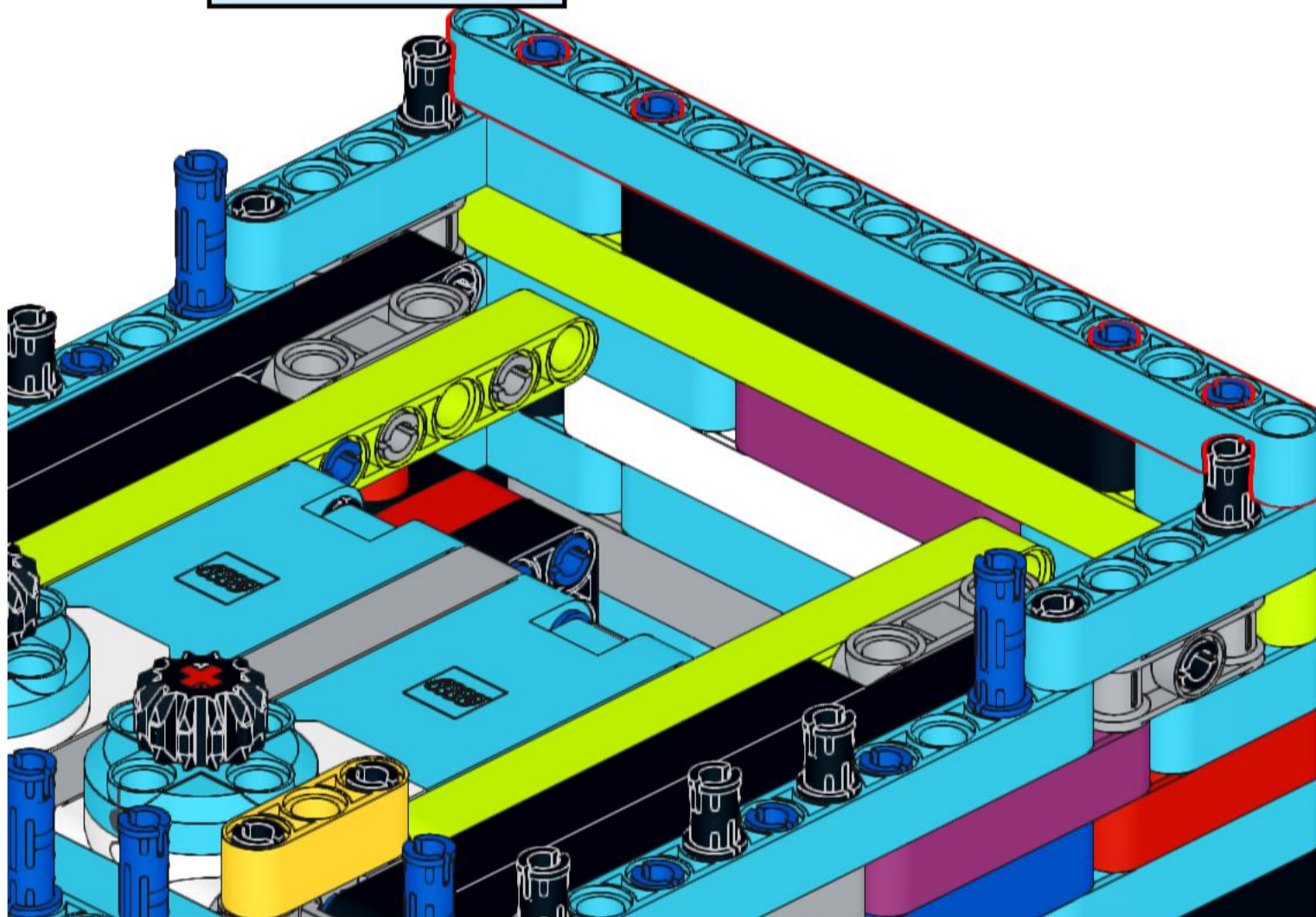
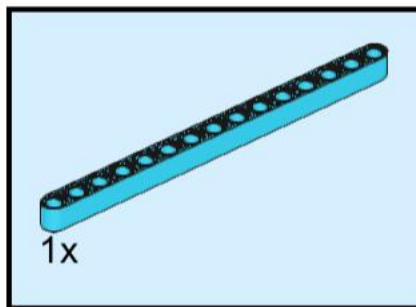




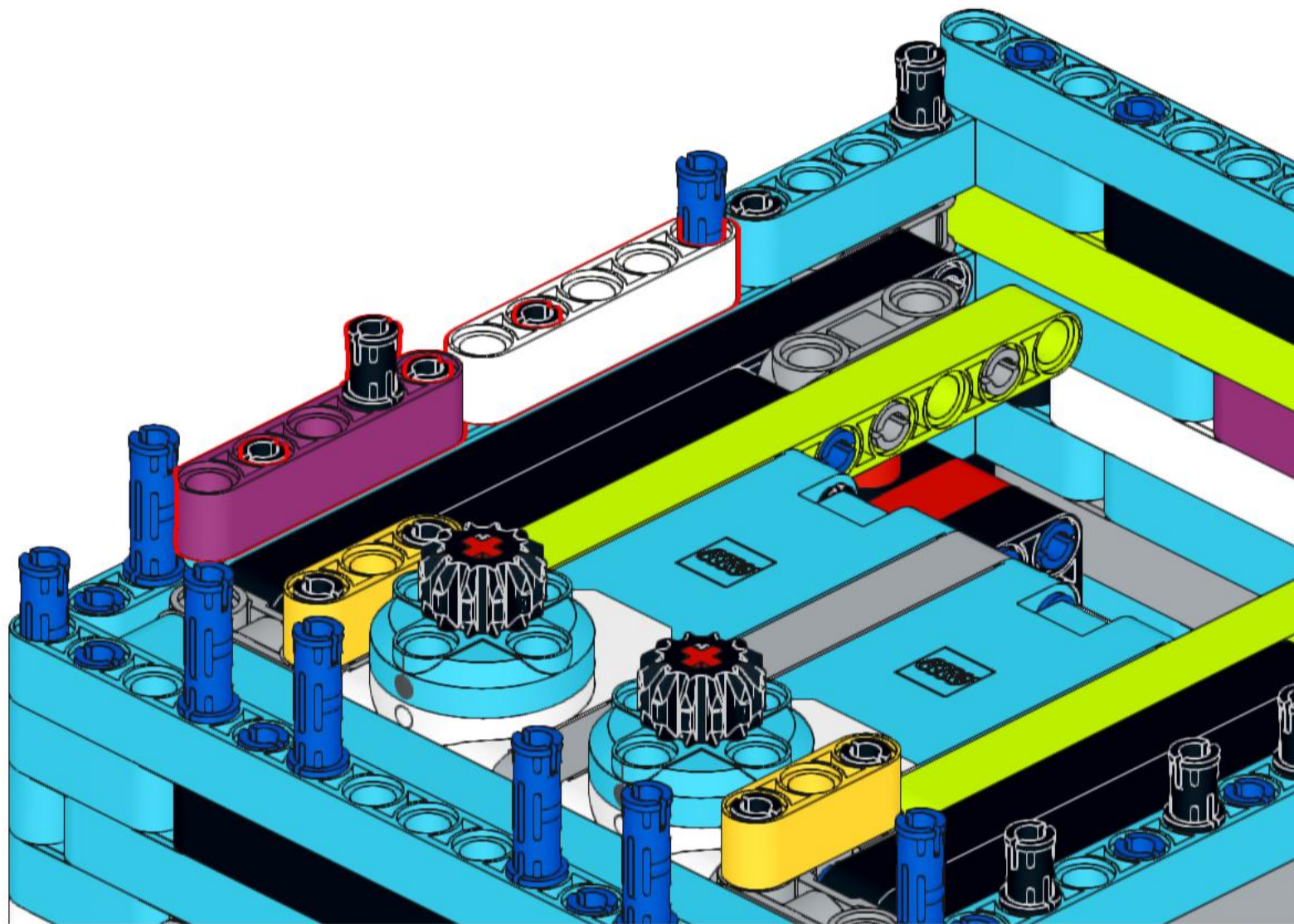
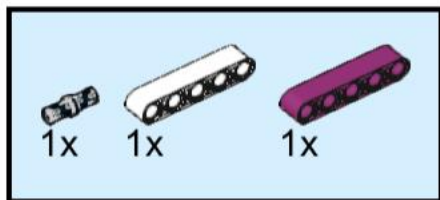
# 97



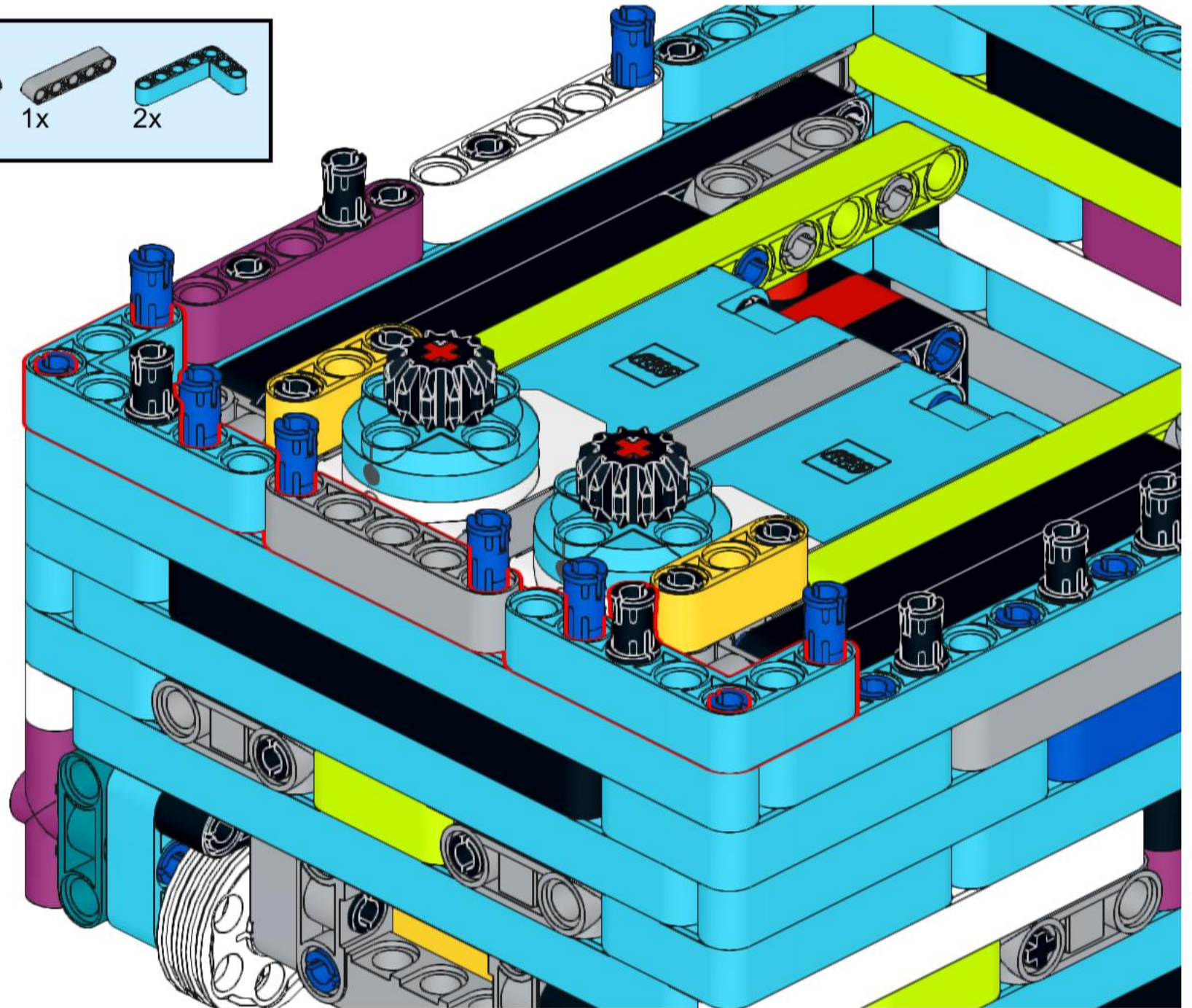
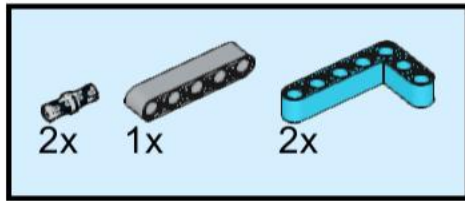
# 98



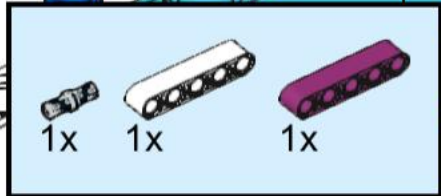
# 99



# 100

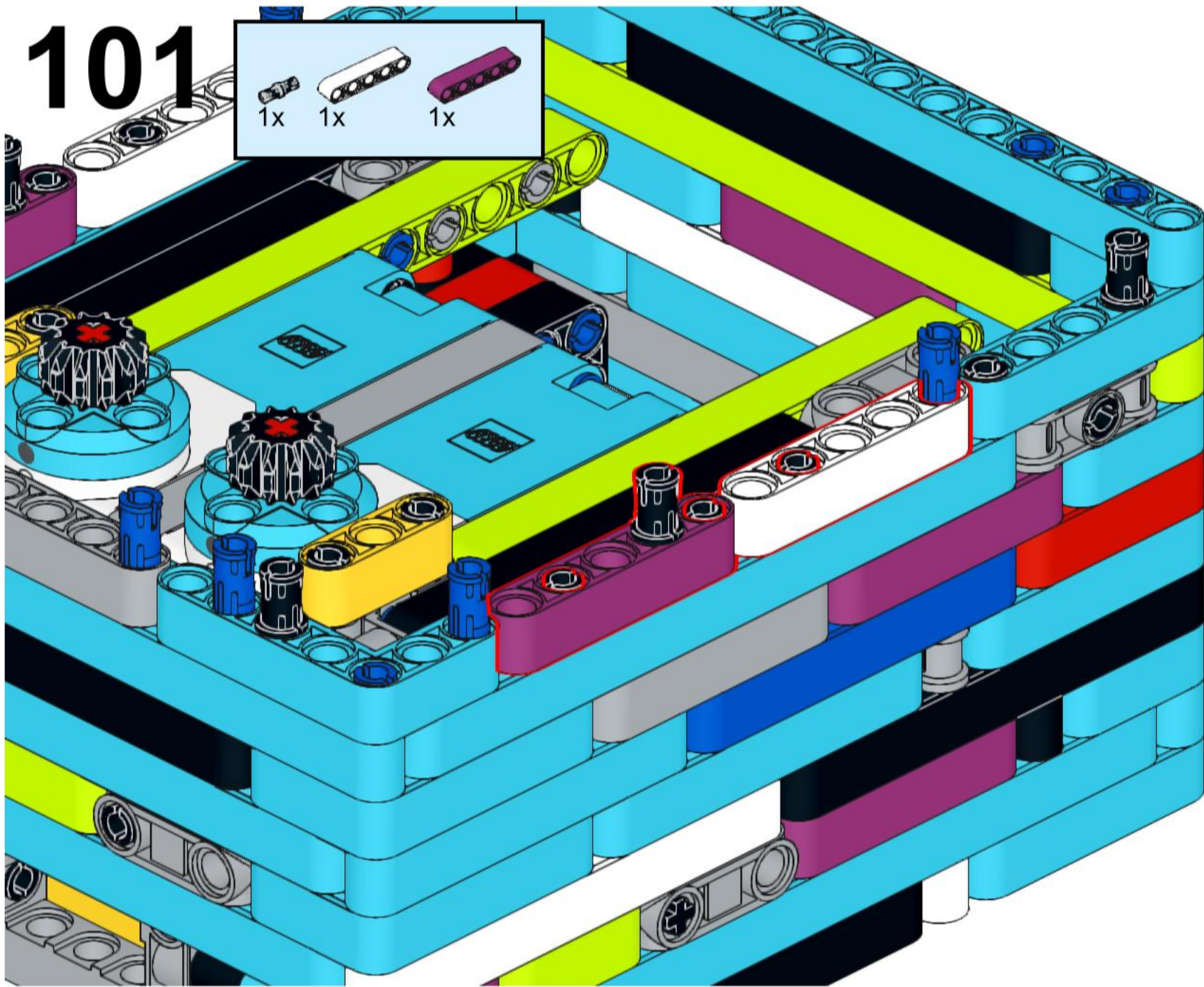


# 101

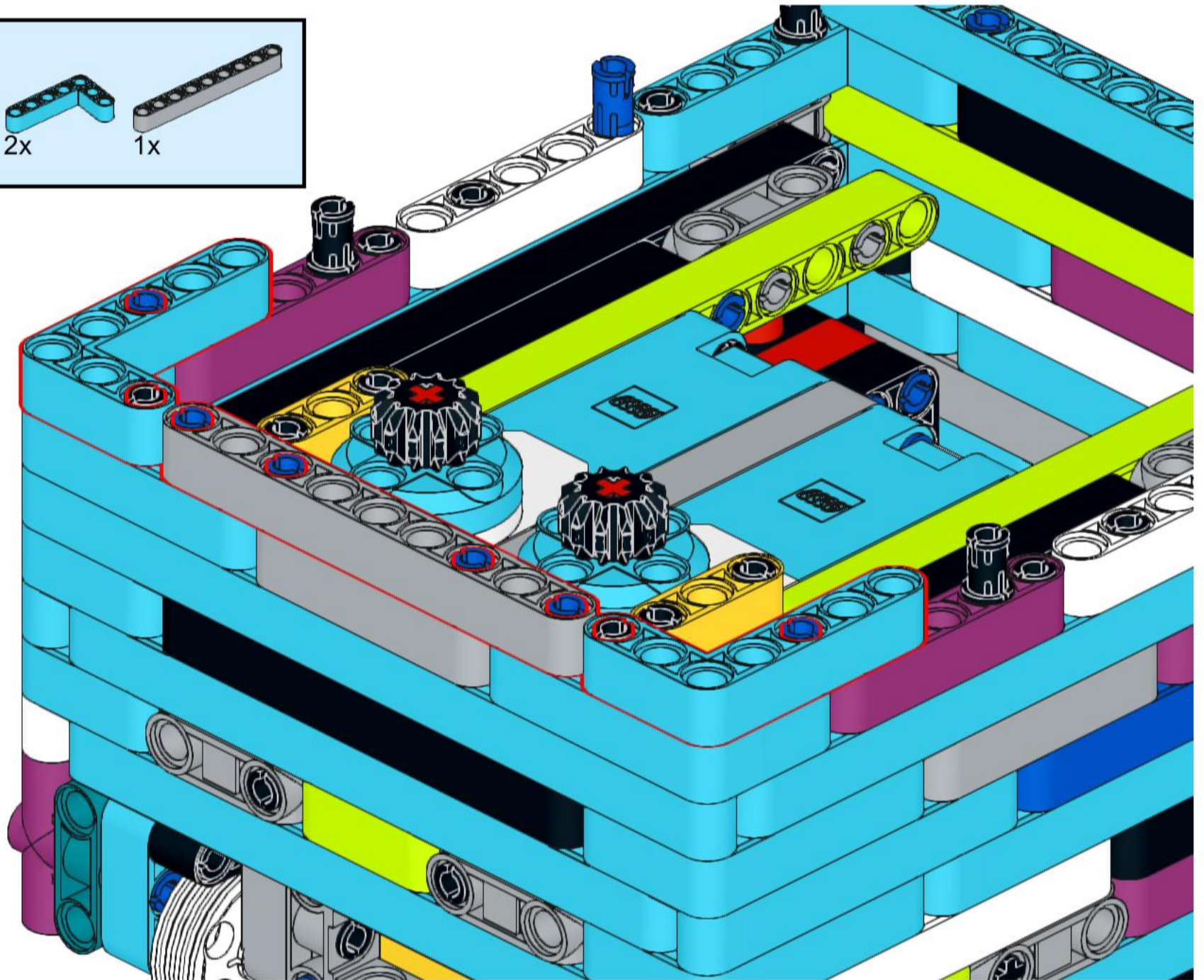
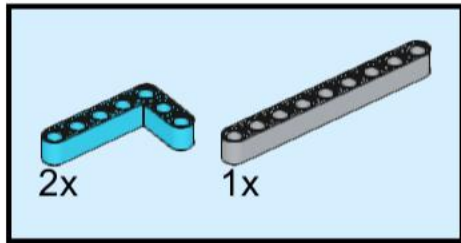


1x 1x 1x

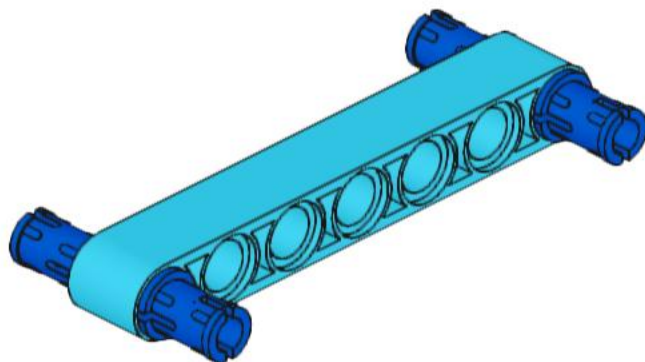
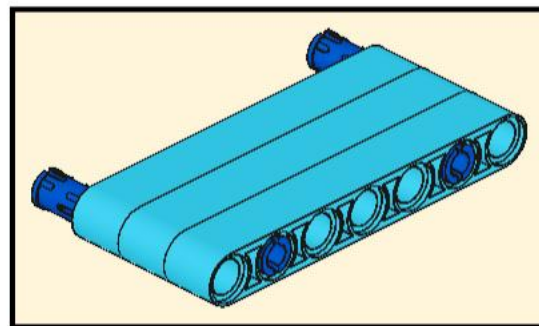
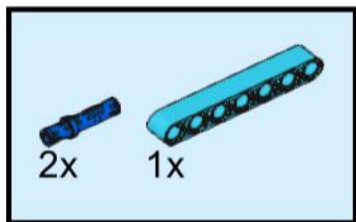
This inset box lists the parts required for step 101: one grey axle pin, one white 1x5 Technic beam, and one purple 1x5 Technic beam.



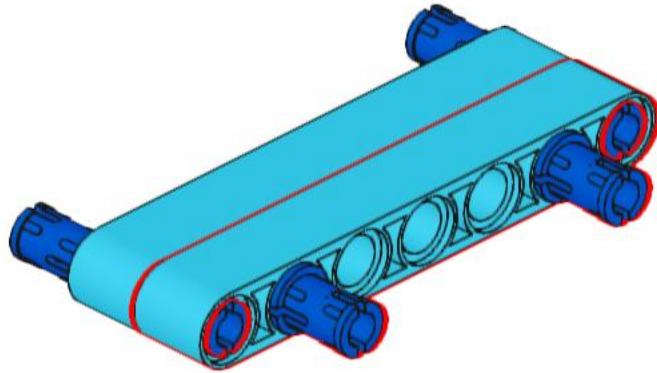
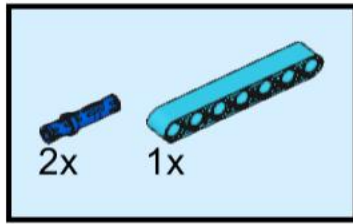
# 102



# 103

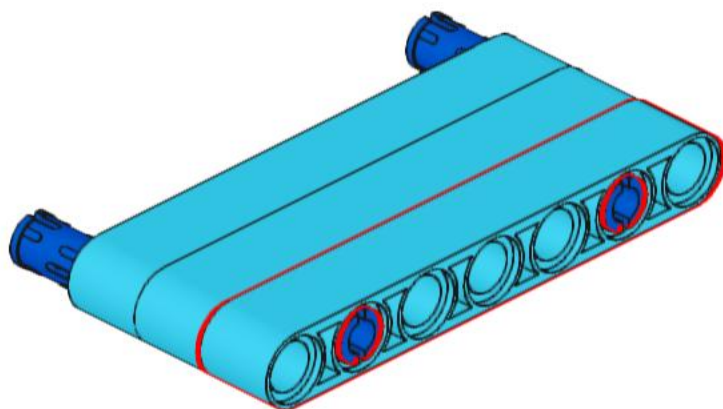
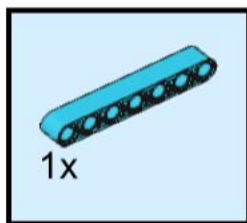


# 104

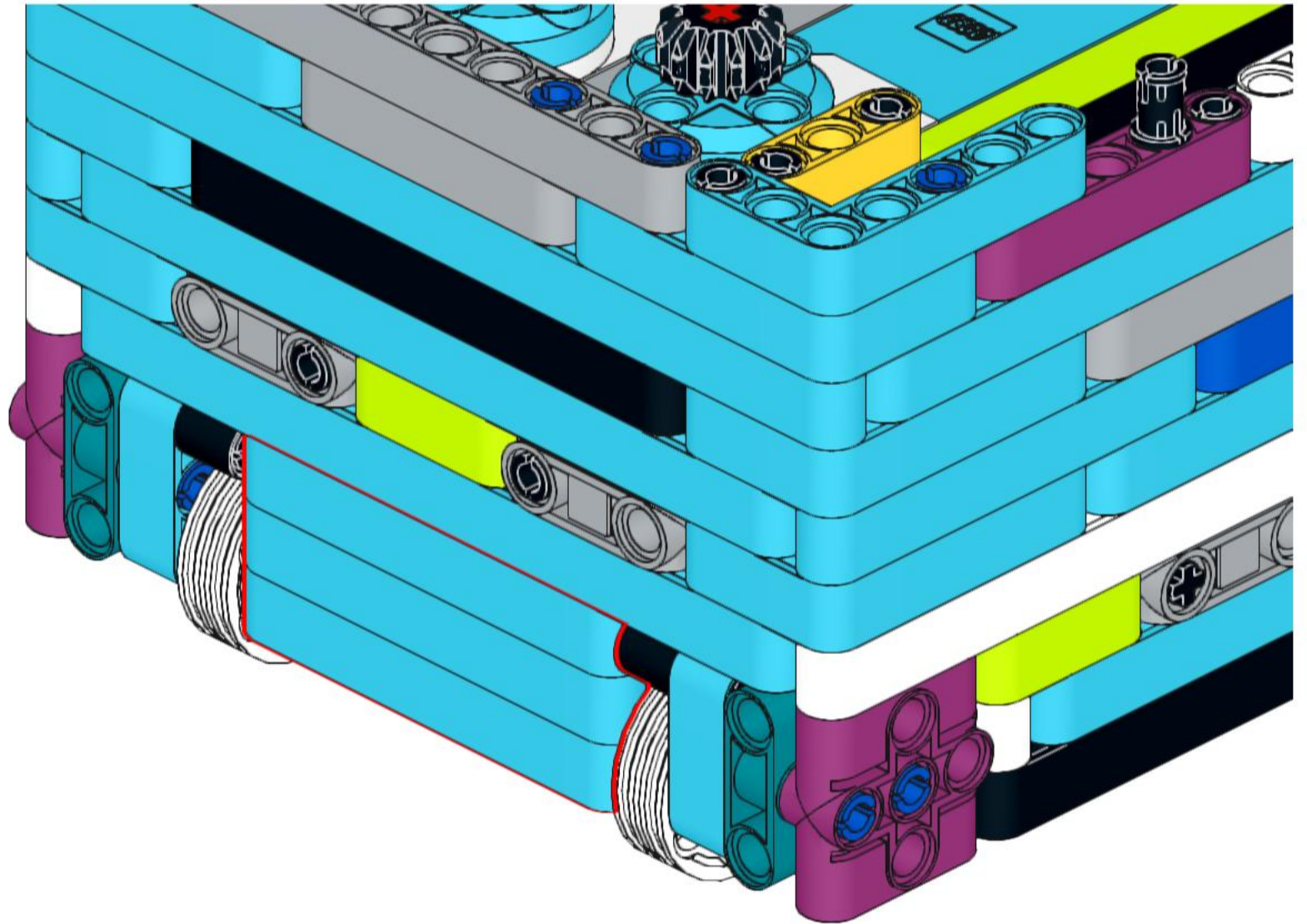




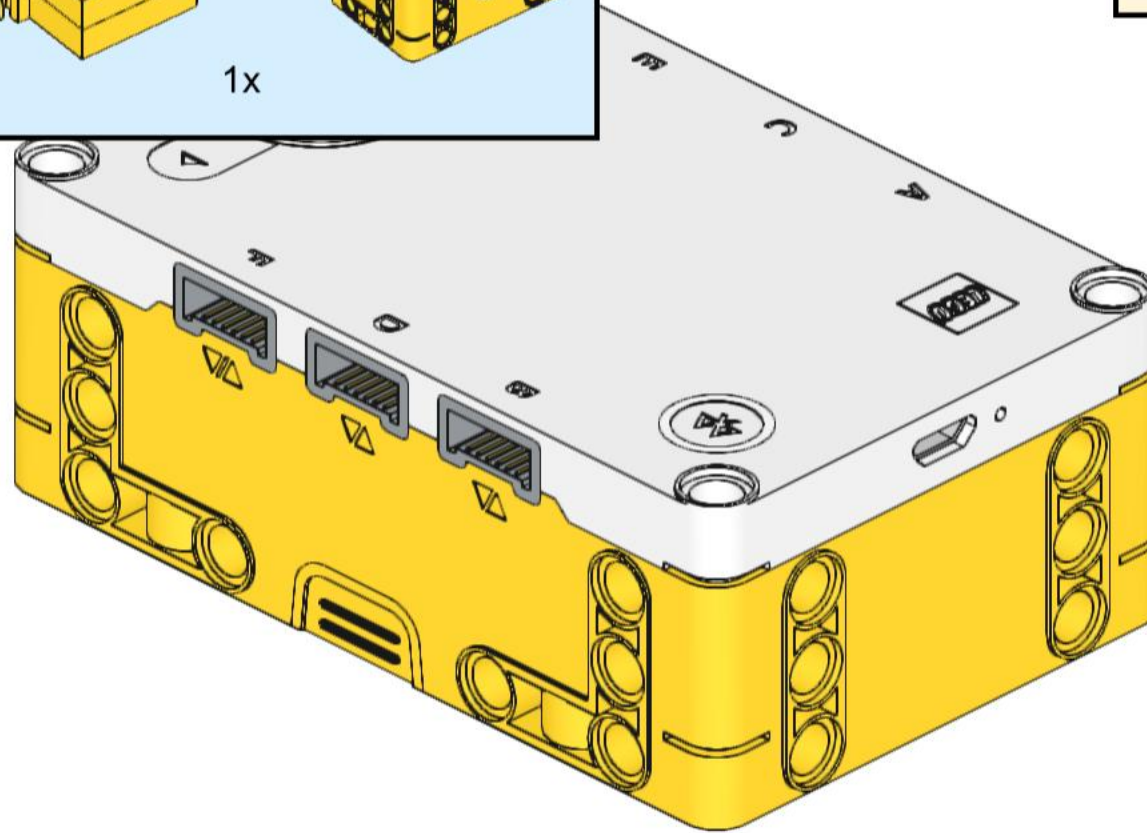
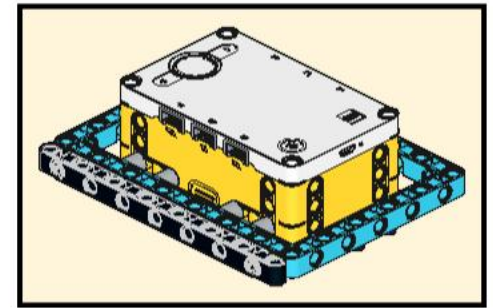
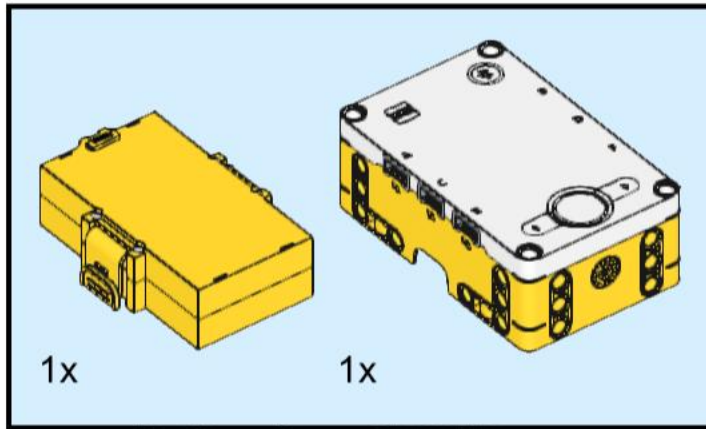
# 105



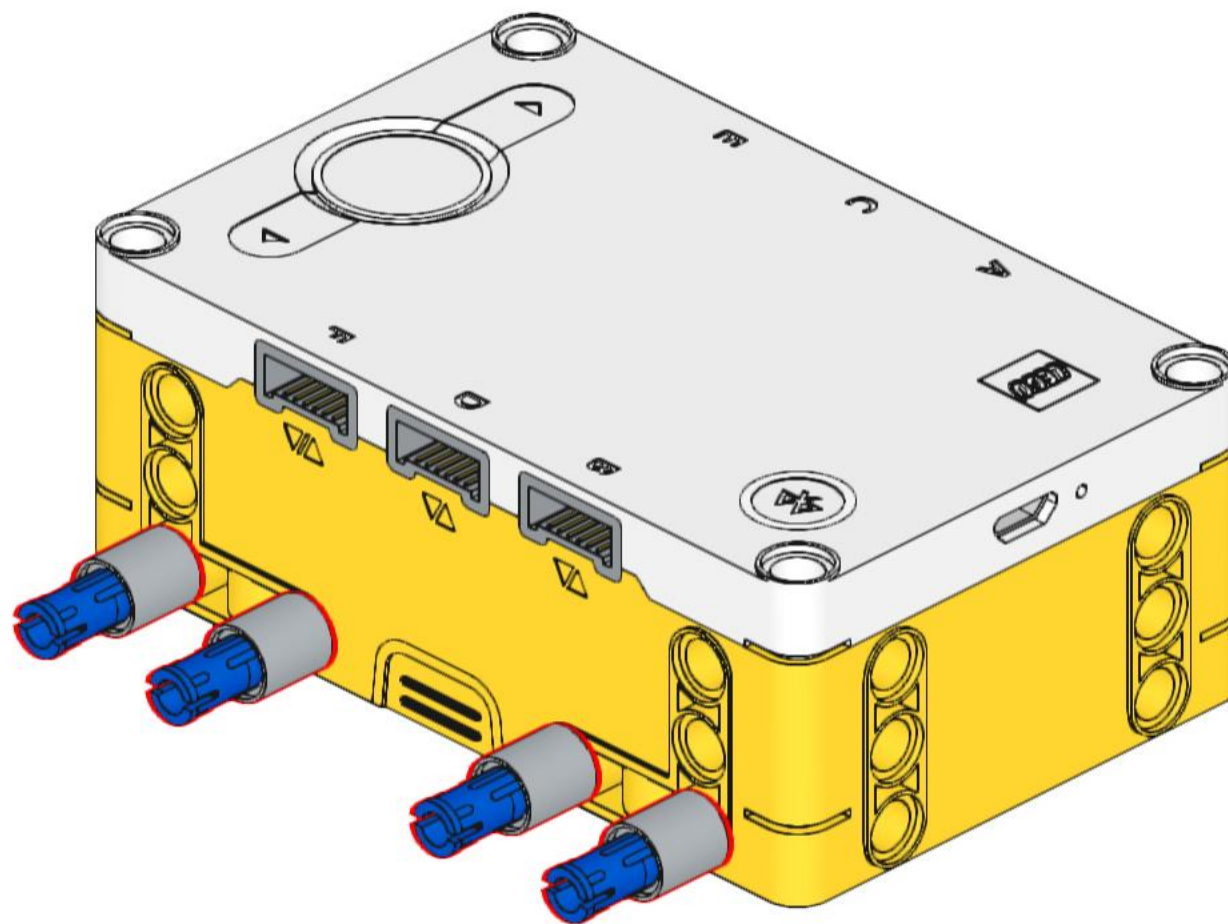
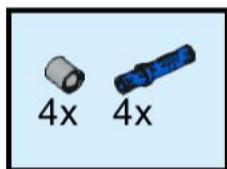
106



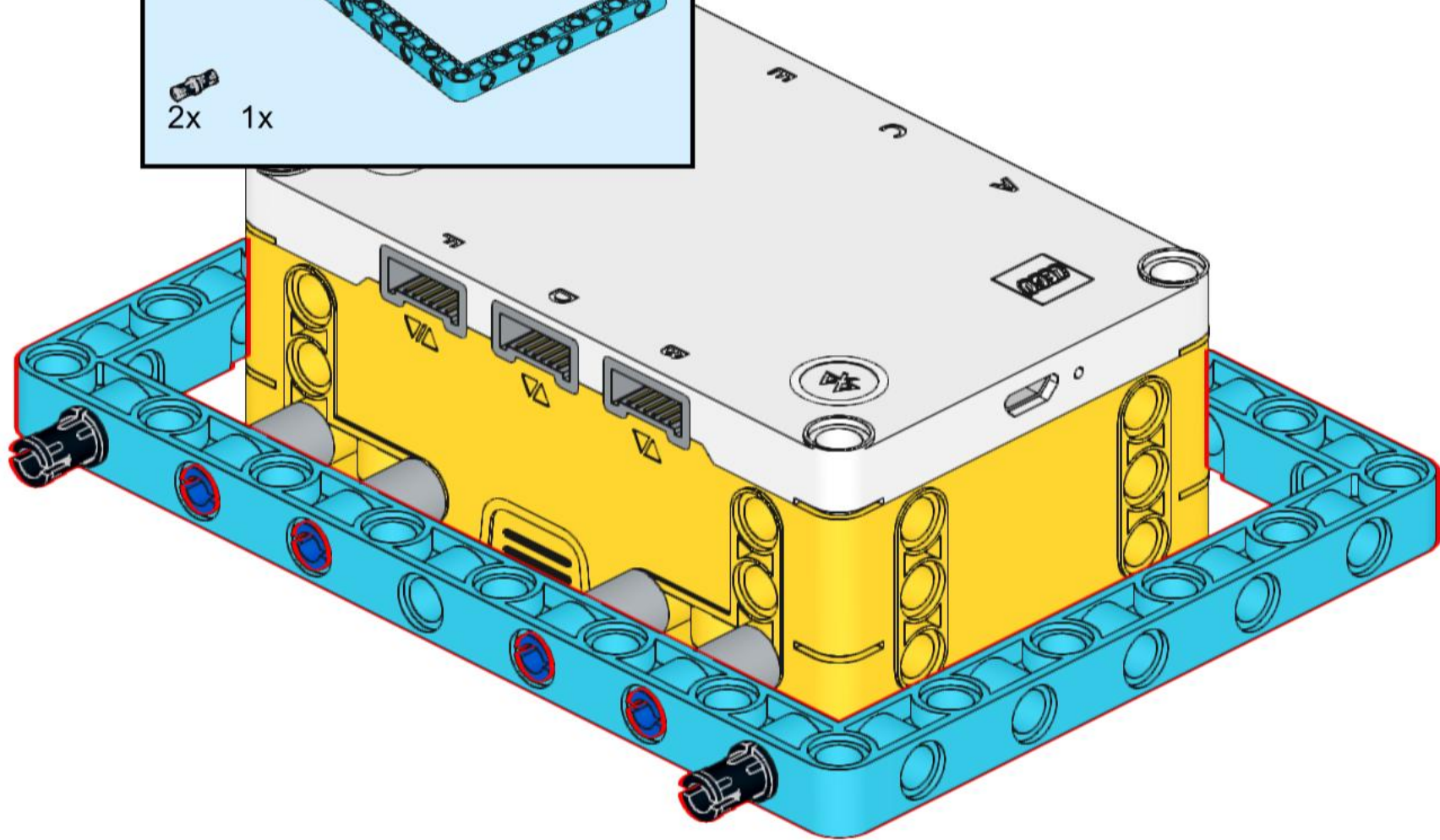
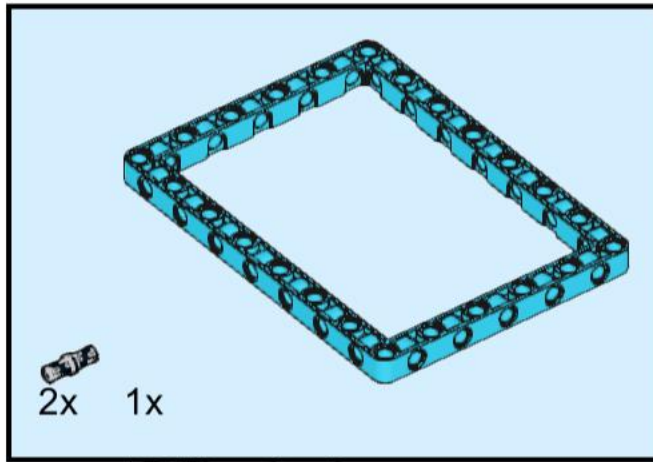
# 107



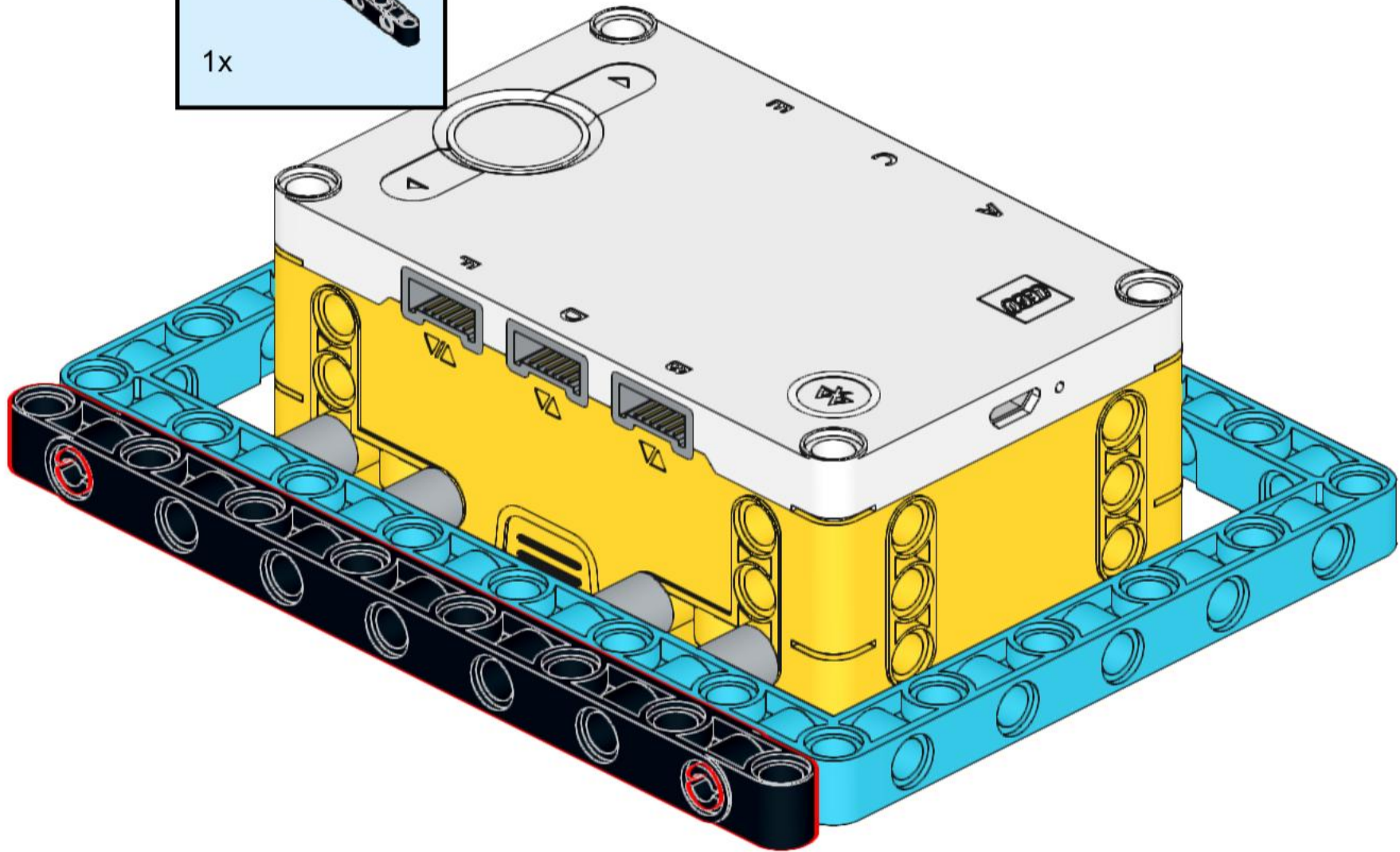
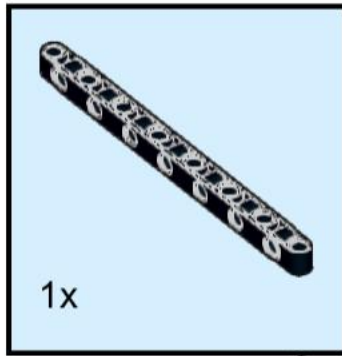
# 108



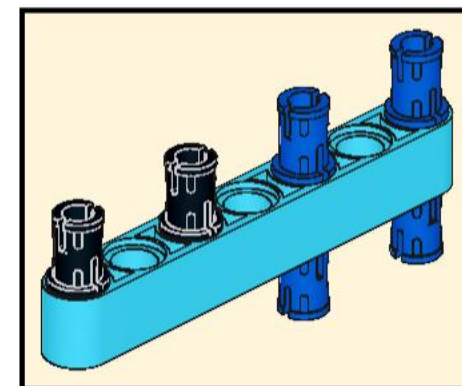
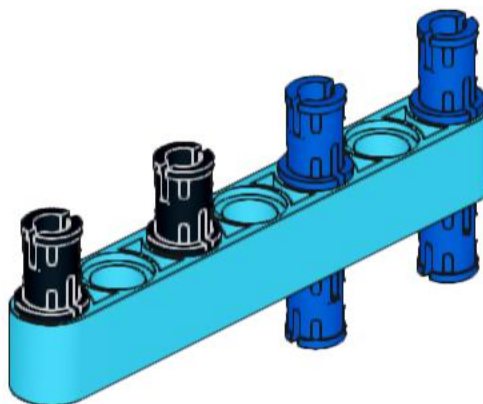
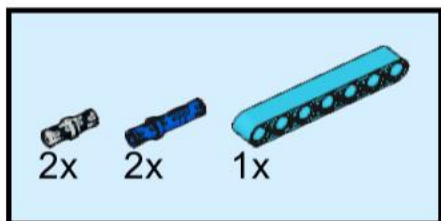
# 109



# 110

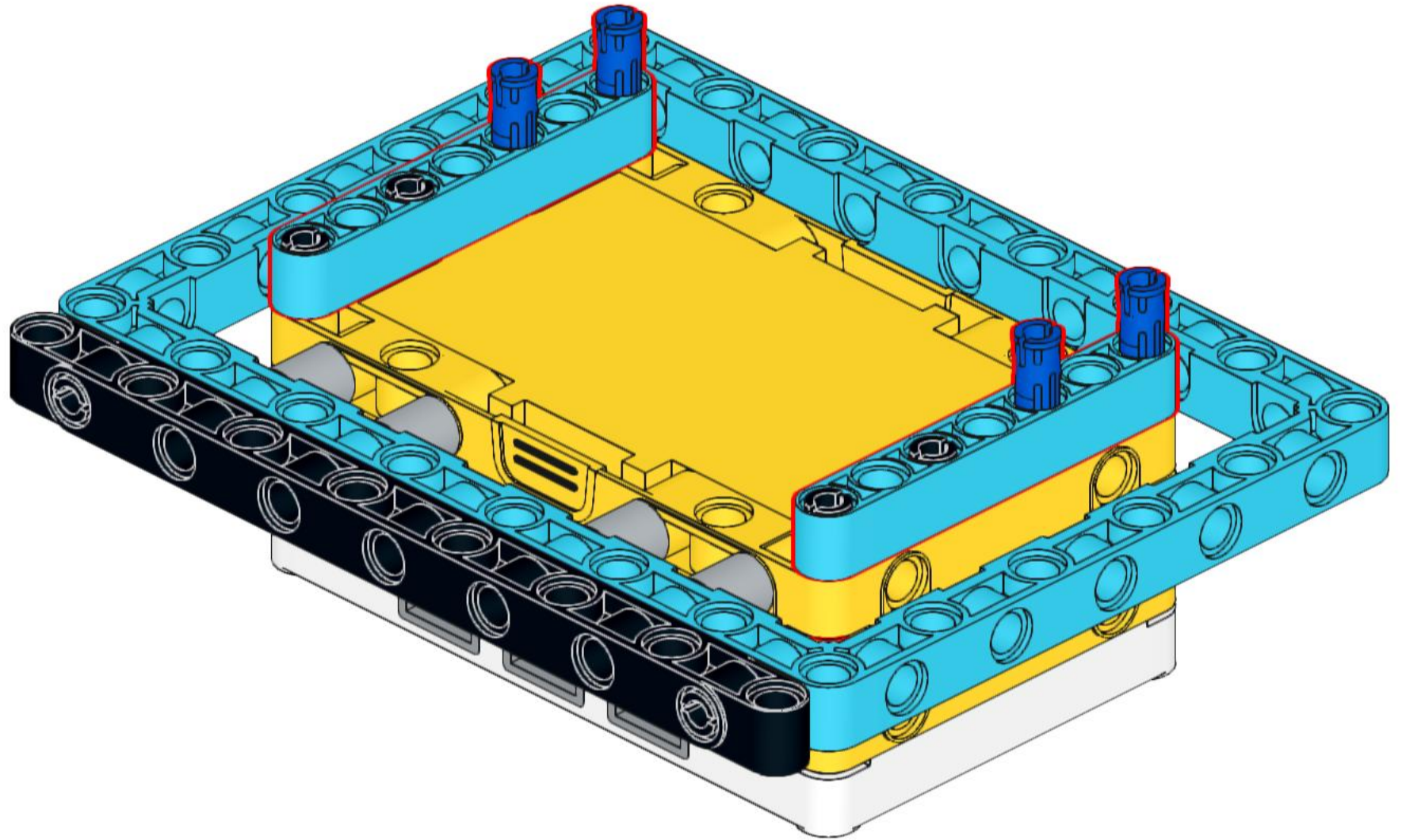


# 111



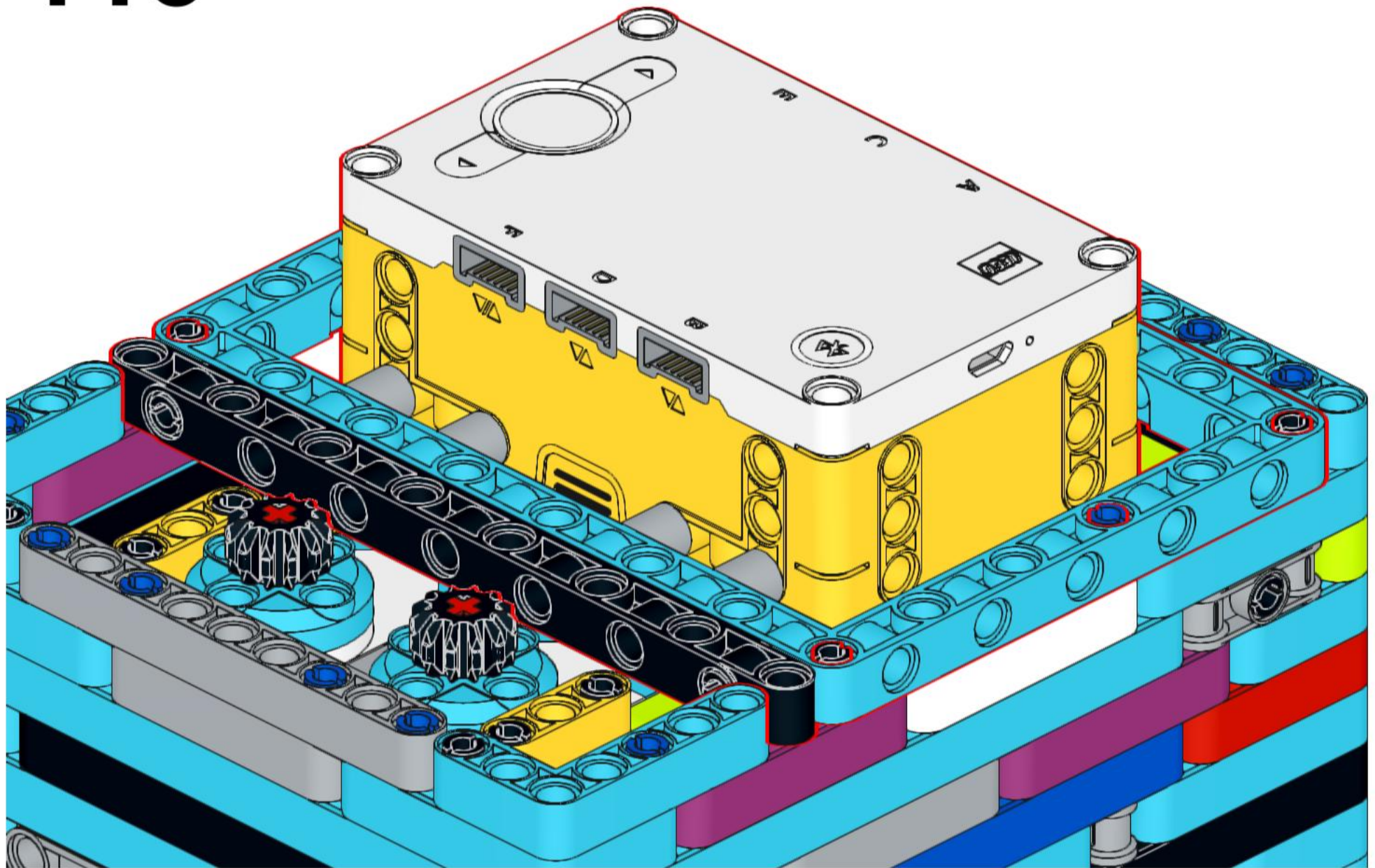
2x

# 112





# 113



114

